

THIS DRAWING IS UNPUBLISHED.

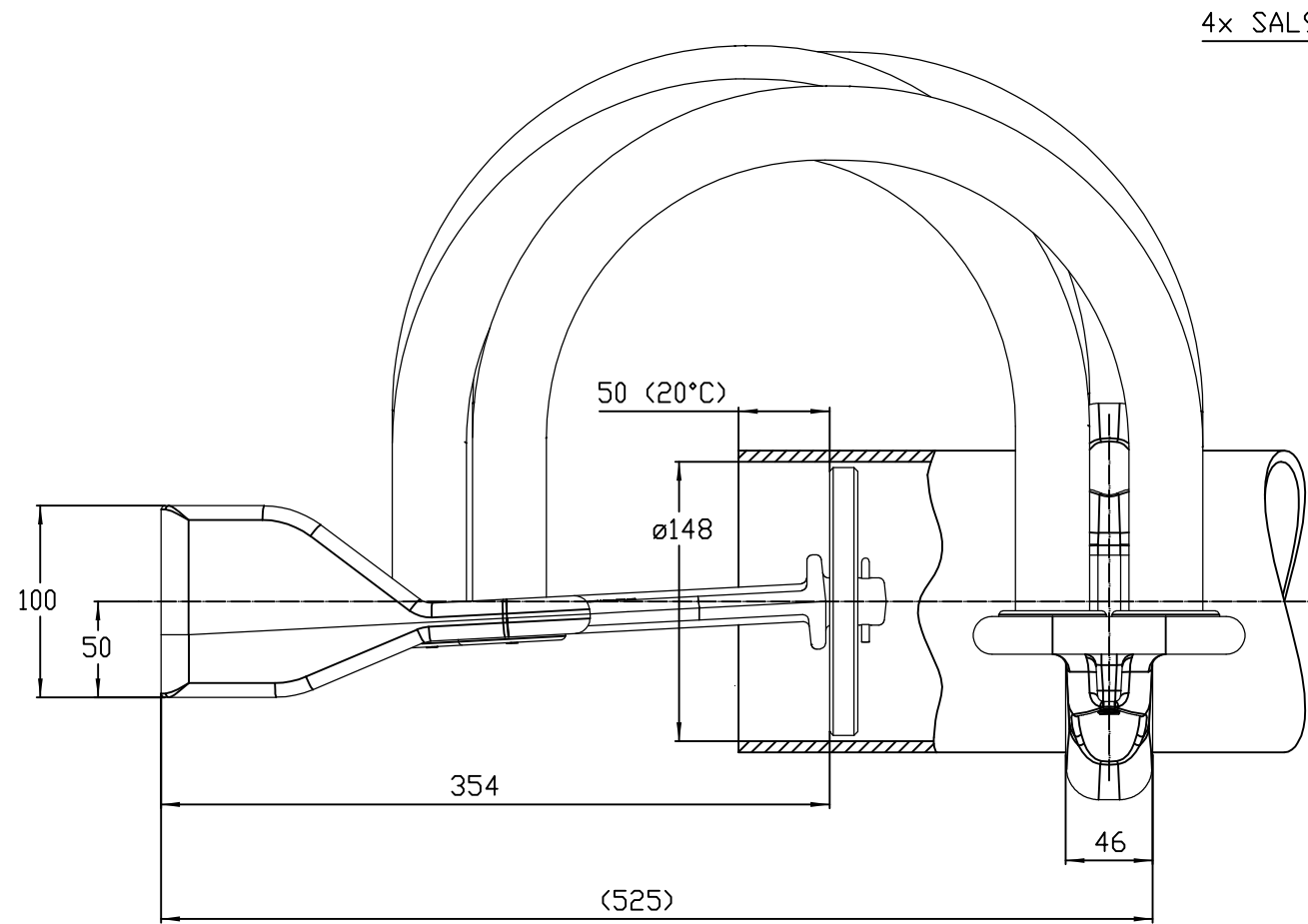
RELEASED FOR PUBLICATION

ALL RIGHTS RESERVED.

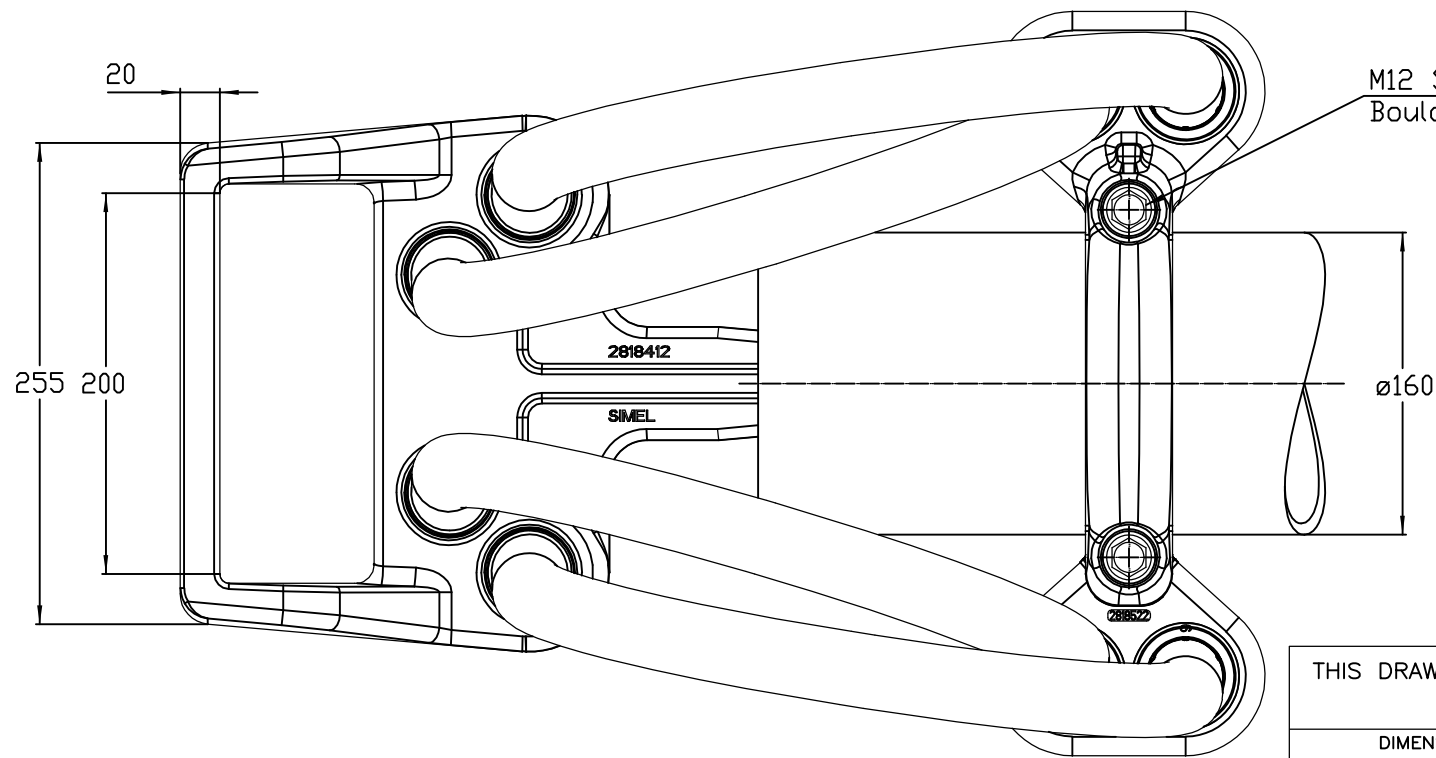
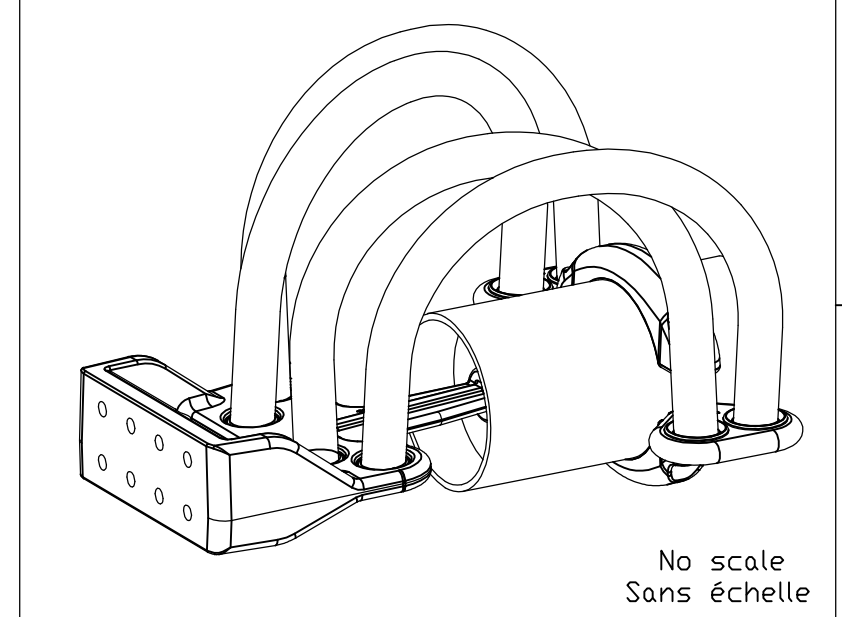
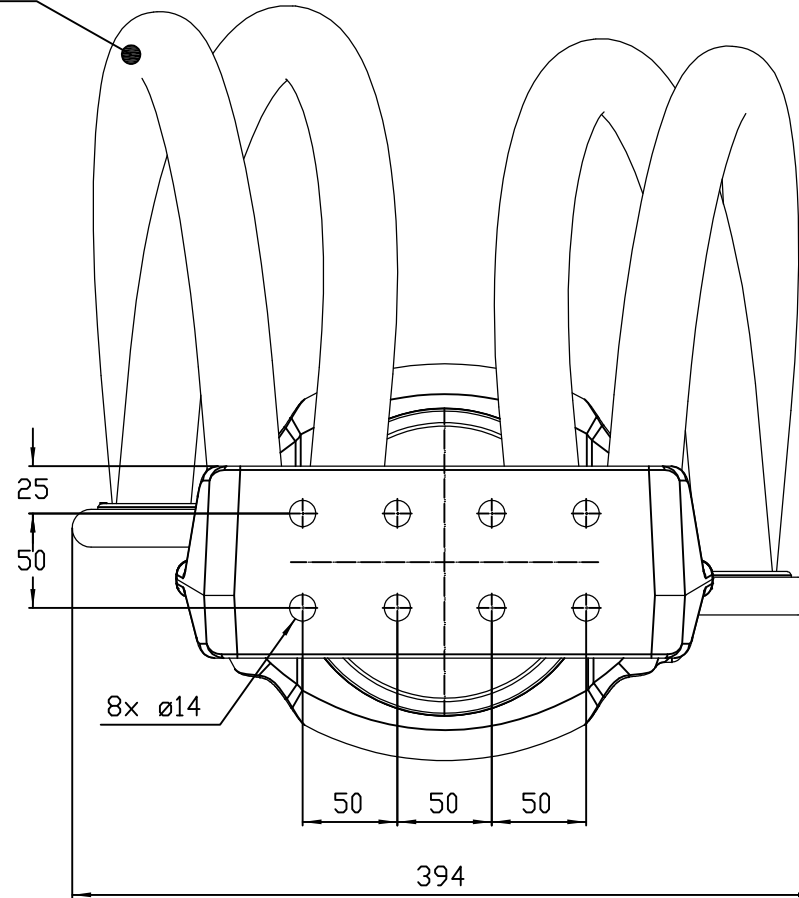
© COPYRIGHT - By -

REVISIONS

P	LTR	DESCRIPTION	DATE	DWN	APVD
	A	CREATION	29-Jun-15	JPM	-



4x SAL910



M12 Stainless steel bolts : 60Nm
Boulons M12 acier inoxydable : 60Nm

THIS DRAWING IS A CONTROLLED DOCUMENT.

DWN GARNIER 29-Jun-15

CHK -

APVD -

PRODUCT SPEC

108-69090-00

APPLICATION SPEC

-

APPROX.WEIGHT 14.6 kg

CUSTOMER DRAWING

DIMENSIONS:
mm



TOLERANCES UNLESS OTHERWISE SPECIFIED:

0 PLC	± -
1 PLC	± -
2 PLC	± -
3 PLC	± -
4 PLC	± -
ANGLES	± -
FINISH	-

MATERIAL -



NAME EXPANSION CONNECTOR-Ø160 TO PAD
RACCORD A DILATION-TUBE Ø160 SUR PLAGE

SIZE A3 CAGE CODE 00779 DRAWING NO C=2845480 RESTRICTED TO -

SCALE 1:4 SHEET 1 OF 1 REV A

ITEM:.....