



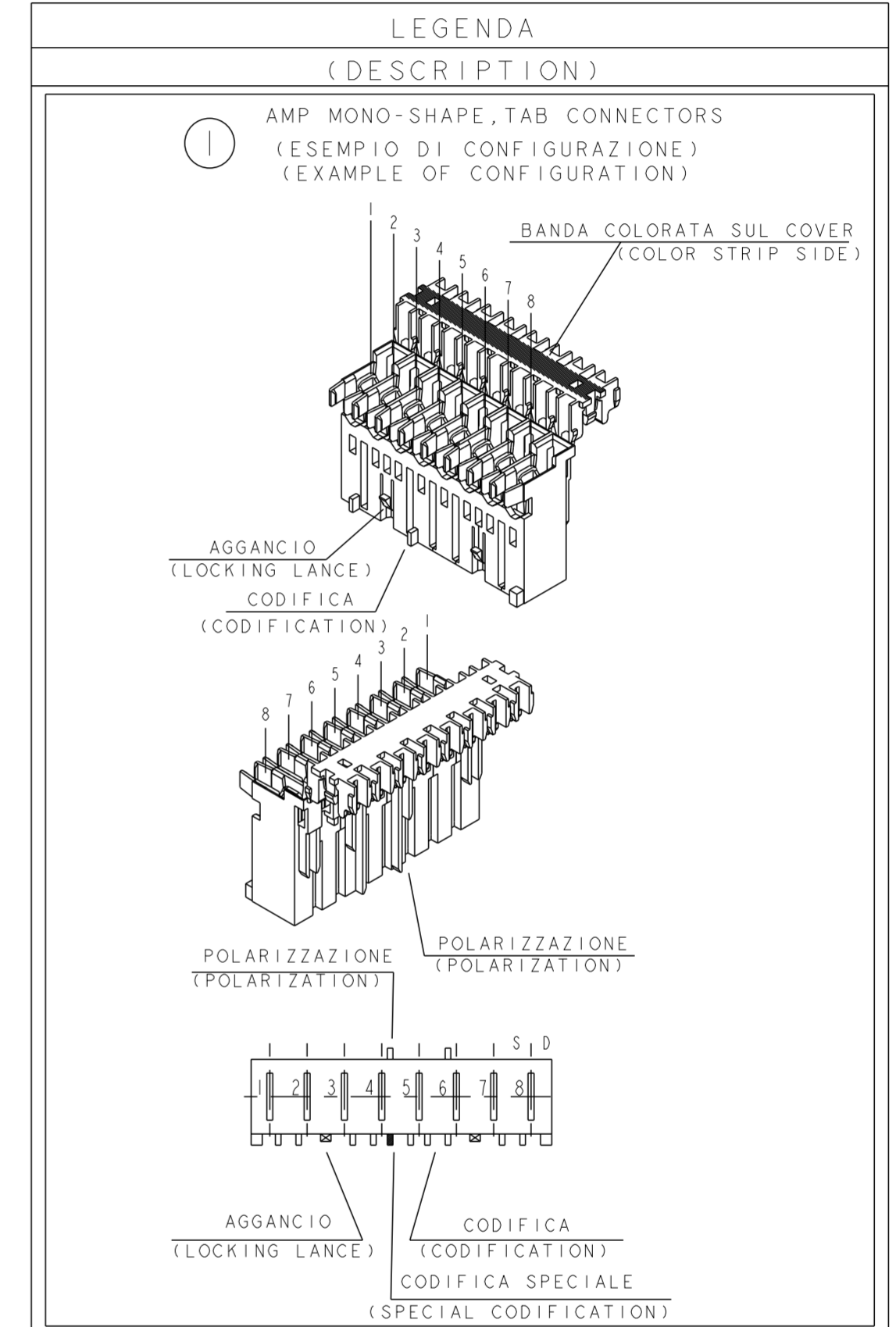
THIS DRAWING IS UNPUBLISHED. RELEASED FOR PUBLICATION 2014  
 © COPYRIGHT 2014 BY - ALL RIGHTS RESERVED.

REVISIONS				
P	LTR	DESCRIPTION	DATE	APVD
-	-	SEE SHEET 1	-	-

AMP PART NUMBERS  
ASS'Y CONN

NUMERO DI VIE	CONFIGURAZIONE (Vista connettore dall'alto) ①	VERSIONE PEZZI IN VASSOIO	REV.	VERSIONE PEZZI SCIOLTI	REV.	POSIZIONE POLARIZ. (LATO POSTERIORE)	POSIZIONE AGGANCI O (LATO ANTERIORE)	POSIZIONE CODIFICA PARTICOLARE (LATO ANTERIORE)	+0.2 -0.3 (mm)	NOTE MARCHIATURA CON BANDA COLORATA	CODICI RAST 5 RICAVABILI
NO. OF POS.	CONFIGURATION (View from top side) ①	ON TRAY PACKAGING VERSION	PART REV.	LOOSE PIECES PACKAGING VERSION	PART REV.	POLARIZ. POSITION (BACK SIDE)	LOCKING POSITION (FRONT SIDE)	SPECIAL CODIFICATION POSITION (FRONT SIDE)	+0.2 -0.3 (mm)	NOTE STRIP COLOUR	RAST 5 OBTAINABLE CODE
2		1-284338-1	C		c	2S $\Delta$ 5	1-2	-	9.9	NERO BLACK	02-C
2		1-284338-2	C		c	1S 2D	1-2	-	9.9	-	02-B 02-E 02-F
2		1-284338-3	D		d	2D	1-2	-	9.9	ROSSO RED	02-L
2		1-284338-4	C		-	1D 2S $\Delta$ 3	1-2	-	9.9	BLU BLUE	02-A
2		1-284338-7	C		-	-	1-2	-	9.9	-	-
3		1-284339-1	C		c	1D $\Delta$ 3	1-2	-	14.9	ARANCIO ORANGE	03-A 03-I
3		1-284339-2	C		c	2D 3D	2-3	-	14.9	BLU BLUE	03-B
3		1-284339-3	C		c	1S 3D	1-2	-	14.9	VERDE GREEN	03-F
3		1-284339-4	C		c	2D 3D	2-3	-	14.9	ROSSO RED	03-B
3		1-284339-5	C		c	2D 3D	2-3	-	14.9	-	03-B
4		0-293140-1 $\Delta$ 12	A		-	3D $\Delta$ 5	2-3	-	19.9	-	-
5		0-293141-1 $\Delta$ 12	A		-	4D $\Delta$ 5	4-5	-	24.9	-	-
5		0-293141-2	A		-	1S 5D	-	3D	24.9	NERO BLACK	-
6		0-293142-1	A		-	3D 5D	-	5S	29.9	NERO BLACK	-
7		0-293143-1	A		-	4D 6D	-	6S	34.9	VIOLA VIOLET	-
7		0-293143-2 $\Delta$ 6	I		-	-	1-2 5-6	-	34.9	-	-
7		293143-3	D		-	1S 6D	-	4D	34.9	-	-
8		1-284685-1	C	2-284685-1	c	2D-4D 6S-6D	-	4S	39.9	-	-
8			D		-	1S	1-2	4D	39.9	VIOLET	-
10		1-284686-1	C		c	6D-8S	4-5 8-9	6S	49.9	-	-

VISTE SOLO PER RIFERIMENTO  
VIEWS ONLY FOR REFERENCE



THIS DRAWING IS A CONTROLLED DOCUMENT.

DIMENSIONS: mm	TOLERANCES UNLESS OTHERWISE SPECIFIED: 0 PLC ± 1 PLC ± 2 PLC ± 3 PLC ± 4 PLC ± ANGLES ±2°	DWN COLOMBO 07MAY99 CHK C. TARTARI 07MAY99 APVD G. TURCO 07MAY99	TE Connectivity NAME AMP MONO-SHAPE L.I.F TAB CONNECTORS 2-10 POS
MATERIAL SEE TABLE	FINISH SEE TABLE	PRODUCT SPEC 108-20215 APPLICATION SPEC 114-20016 WEIGHT	

CUSTOMER DRAWING SCALE - SHEET 2 OF 4 REV D22

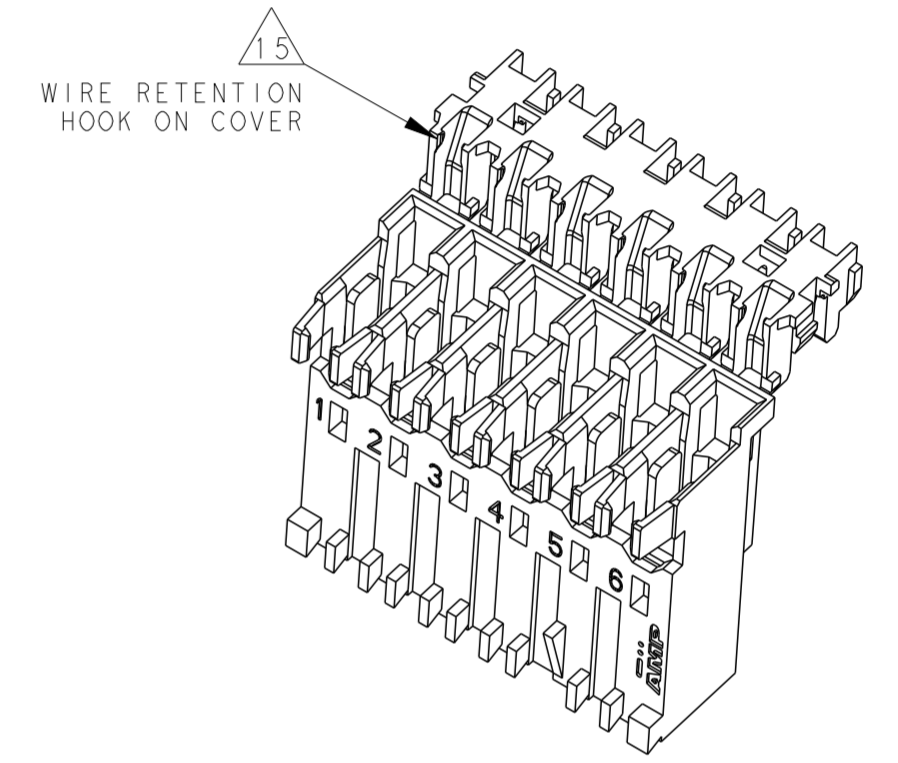
THIS DRAWING IS UNPUBLISHED. RELEASED FOR PUBLICATION 2014  
 © COPYRIGHT 2014 BY - ALL RIGHTS RESERVED.

REVISIONS				
P	LTR	DESCRIPTION	DATE	APVD
~		SEE SHEET 1	-	--

# PA GF, UL-V0 GWEPT 750°C NO FLAME, NATURAL

## ON TRAY VERSION

No. OF POS	CONFIGURATION (SEE TYP. SECT. ONLY FOR REF.)	P/N ASS'Y 8	PART REV.	POLARIZ. POSITION (BACK SIDE)	LOCKING POSITION (FRONT SIDE)	SPECIAL CODIFICAT. POSITION (FRONT SIDE)	L (mm)	NOTE MARCHIATURA CON BANDA COLORATA	CODICI RAST 5 RICAVABILI
13		2293392-2	I	-	-	-	9.9	-	-
13		2293392-3	I	-	-	-	14.9	-	-
13		2293392-4	I	-	-	-	19.9	-	-
13		2293392-5	I	-	-	-	24.9	-	-
13		2293392-6	I	-	-	-	29.9	-	-
13		4-2293392-7 13 16	I	1S 6D	-	4D	34.9	-	-
7		2293392-7	D	-	1-2 5-6	-	34.9	-	-
7		1-2293392-7	D	-	1-2 5-6	5S	34.9	-	-
7		2-2293392-7	D	1S 6D	-	4D	34.9	-	-
7		3-2293392-7	D	4D 6D	-	6S	34.9	VIOLET	-
13		2293392-8	I	-	-	-	39.9	-	-
13		2293392-9	I	-	-	-	44.9	-	-
13		1-2293392-0	I	6D 8S	4-5 8-9	6S	49.9	-	-


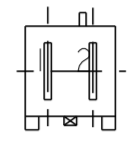

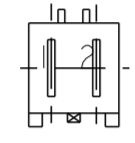

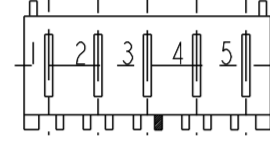
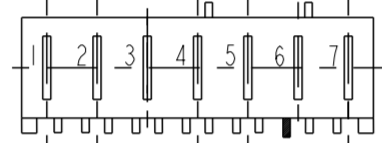



THIS DRAWING IS A CONTROLLED DOCUMENT.		DWN COLOMBO 07MAY99	 TE Connectivity
DIMENSIONS: mm		CHK C. TARTARI 07MAY99	
TOLERANCES UNLESS OTHERWISE SPECIFIED:		APVD G. TURCO 07MAY99	
 0 PLC ± 1 PLC ± 2 PLC ± 0.3 3 PLC ± 4 PLC ± ANGLES ±2° FINISH		PRODUCT SPEC 108-20215	NAME AMP MONO-SHAPE L.I.F. TAB CONNECTORS 2-10 POS
MATERIAL SEE TABLE		APPLICATION SPEC 114-20016	SIZE CAGE CODE DRAWING NO RESTRICTED TO
		WEIGHT	A200779 C-284338
		CUSTOMER DRAWING	SCALE 2:1 SHEET 3 OF 4 REV D22

THIS DRAWING IS UNPUBLISHED. RELEASED FOR PUBLICATION 2014  
 © COPYRIGHT 2014 BY - ALL RIGHTS RESERVED.

REVISIONS				
P	LTR	DESCRIPTION	DATE	APVD
-	-	SEE SHEET 1	-	-

# SPECIAL VERSION WITH NATURAL COLORED RESIN

No. OF POS	CONFIGURATION (View from top side) 	ON TRAY PACKAGING VERSION	SIMILAR PN WITH SAME POLARIZATION	POLARIZ. POSITION (BACK SIDE)	LOCKING POSITION (FRONT SIDE)	SPECIAL CODIFICATION POSITION (FRONT SIDE)	+0.2 L-0.3 (mm)	NOTE STRIP COLOUR	RAST 5 OBTAINABLE CODE
2		5-2301868-3	1-284338-1	2S 	1-2	-	9.9	GREY	02-C
2		5-2301868-4	1-284338-4	1D 2S 	1-2	-	9.9	GREY	02-A
5		5-2301868-5	293141-2	1S 5D	-	3D	24.9	GREY	-
7		5-2301868-0	293143-1	4D 6D	-	6S	34.9	GREY	-

THIS DRAWING IS A CONTROLLED DOCUMENT.		DWN COLOMBO 07MAY99	 TE Connectivity
DIMENSIONS: mm		CHK C. TARTARI 07MAY99	
TOLERANCES UNLESS OTHERWISE SPECIFIED:		APVD G. TURCO 07MAY99	
0 PLC ± 1 PLC ± 2 PLC ± 3 PLC ± 0.3 4 PLC ± ANGLES ±2° FINISH		NAME AMP MONO-SHAPE L.I.F TAB CONNECTORS 2-10 POS PRODUCT SPEC 108-20215 APPLICATION SPEC 114-20016 WEIGHT	
MATERIAL		CUSTOMER DRAWING	SIZE A2 CAGE CODE 07779 DRAWING NO. C-284338 RESTRICTED TO
		SCALE -	SHEET 4 OF 4 REV D22