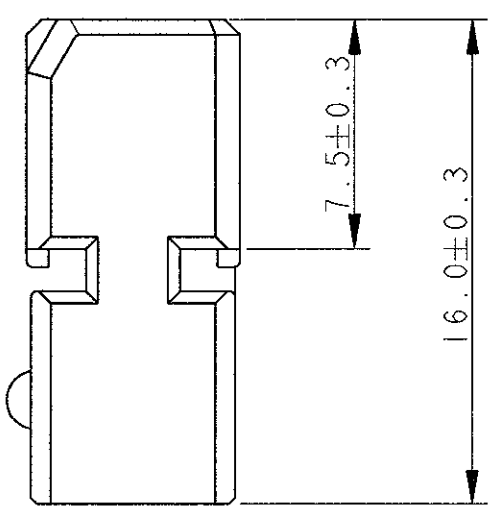
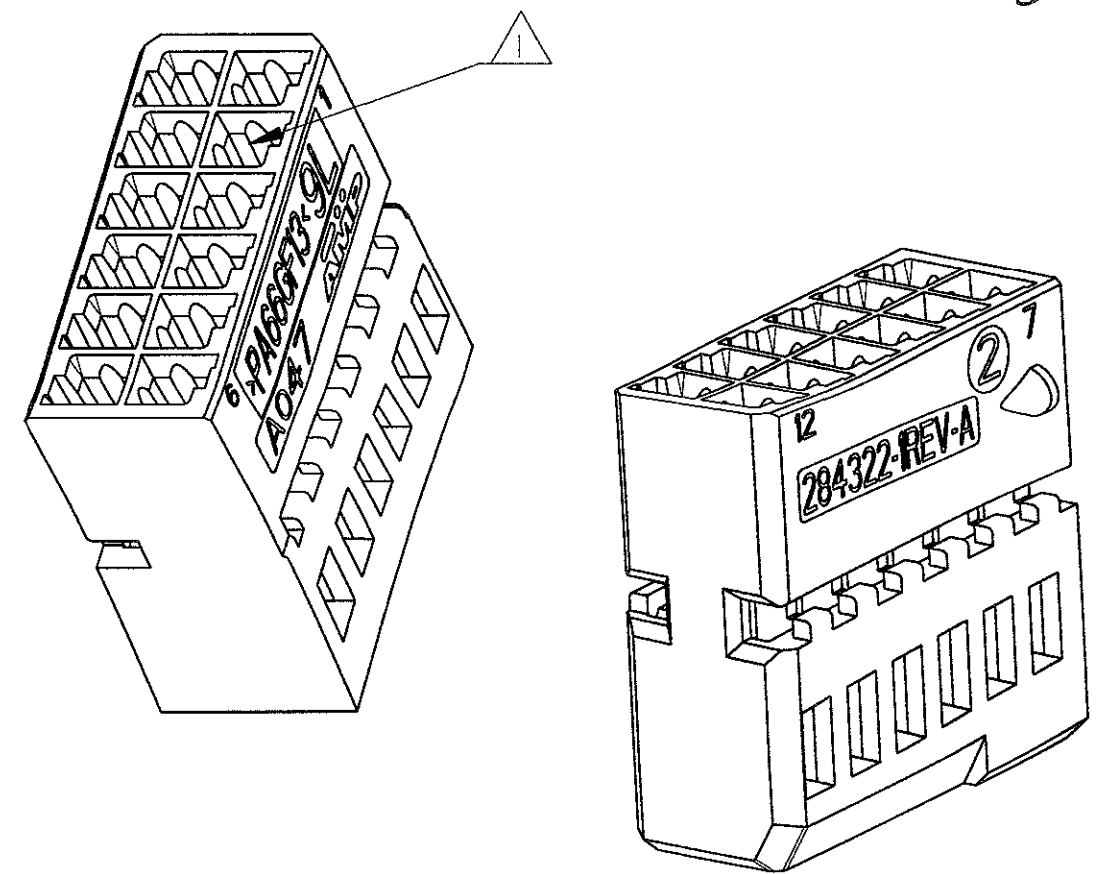
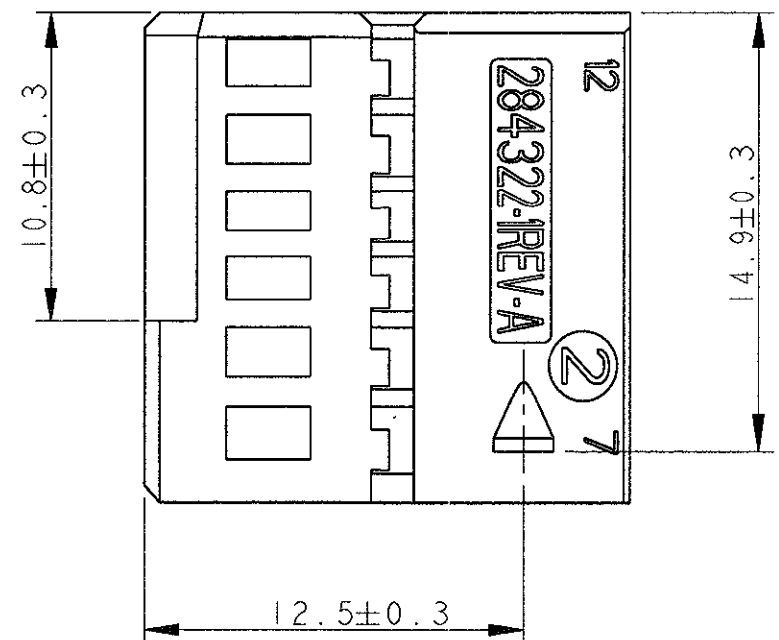
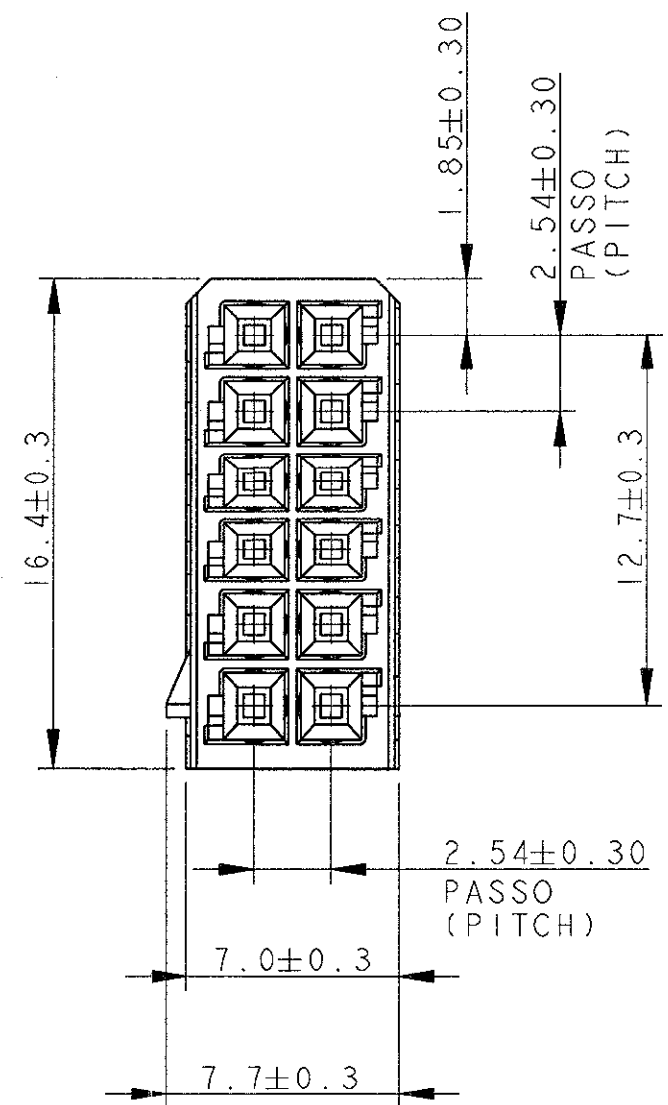


LOC	DIST	REVISIONS					
		P	LTR	DESCRIPTION	DATE	DWN	APVD
		0		PRELIMINARY ISSUE	15DEC98	G.S.	O.C.
		A		FIRST ISSUE WITH ET00-0404-99	13JAN00	M.P.	O.C.
		A1		RELEASED FOR PRODUCTION ET00-0121-00	15MAY00	M.S.	O.C.
		A2		CORRECTED MISTAKE ET00-0006-01	080JAN01	M.S.	O.C.



- ① CAVITA' ADATTA PER CONTATTI MICRO QUADLOK SYSTEM P/N 928999-1 E P/N 963715-1. (CAVITIES SUITABLE FOR MICRO QUADLOK SYSTEM CONTACT P/N 928999-1 AND P/N 963715-1).
- ② MATERIALE: PA 6.6-G.F. CARICATO VETRO, COLORE NERO (MATERIAL: PA 6.6-G.F. FILLED, COLOUR BLACK).
- 3) BLOCCETTO ADATTO PER CORAZZA P/N 284321-1  
PLUG HOUSING SUITABLE FOR COVER P/N 284321-1

284322-1 COME MOSTRATO (AS SHOWN)

THIS DRAWING IS A CONTROLLED DOCUMENT FOR AMP INCORPORATED. IT IS SUBJECT TO CHANGE AND THE CONTROLLING ENGINEERING ORGANIZATION SHOULD BE CONTACTED FOR THE LATEST REVISION.		DWH M. PALMA 13JAN00	<b>AMP</b> AMP Italia S.p.A. Collegno, C.so F.lli Cervi 15 (TO)												
DIMENSIONS: mm		CHK O. CANUTO 13JAN00													
TOLERANCES UNLESS OTHERWISE SPECIFIED:		APVD A. GENTA 13JAN00	NAME HOUSING 12 POS 2.54 mm PITCH FOR STEERING SWITCH												
<table border="0"> <tr> <td>0 PLC</td> <td>±0.3</td> </tr> <tr> <td>1 PLC</td> <td>±0.3</td> </tr> <tr> <td>2 PLC</td> <td>±</td> </tr> <tr> <td>3 PLC</td> <td>±</td> </tr> <tr> <td>4 PLC</td> <td>±</td> </tr> <tr> <td>ANGLES</td> <td>±2°</td> </tr> </table>		0 PLC	±0.3	1 PLC	±0.3	2 PLC	±	3 PLC	±	4 PLC	±	ANGLES	±2°	PRODUCT SPEC 411-15565	SIZE A3
0 PLC	±0.3														
1 PLC	±0.3														
2 PLC	±														
3 PLC	±														
4 PLC	±														
ANGLES	±2°														
MATERIAL NOTE ②	FINISH NOTE ②	APPLICATION SPEC 411-15565	CAGE CODE 00779												
		WEIGHT 2.0 g	DRAWING NO C-284322												
		CUSTOMER DRAWING	SCALE 4:1												
			SHEET 1 OF 1												
			REV A2												