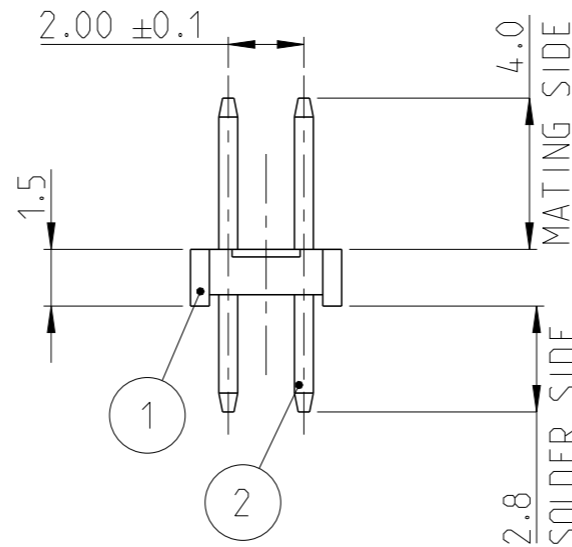
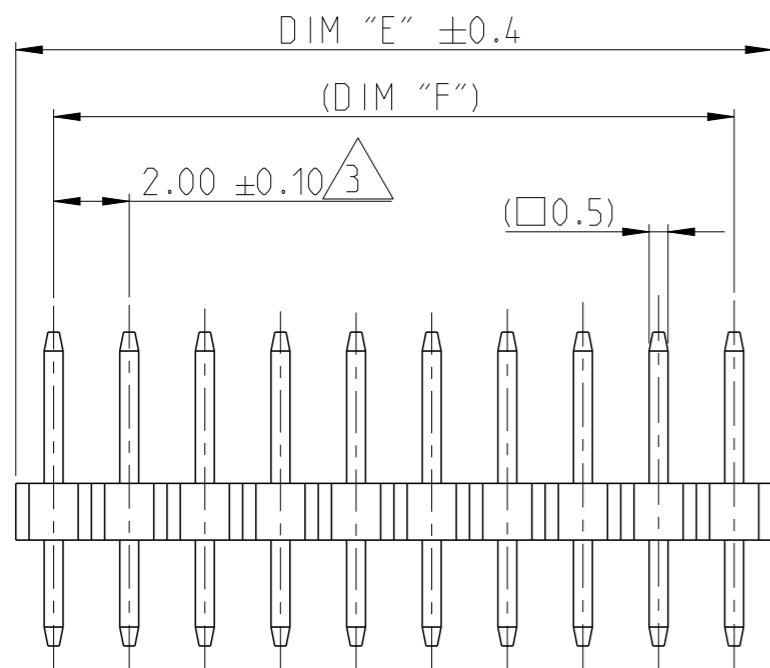
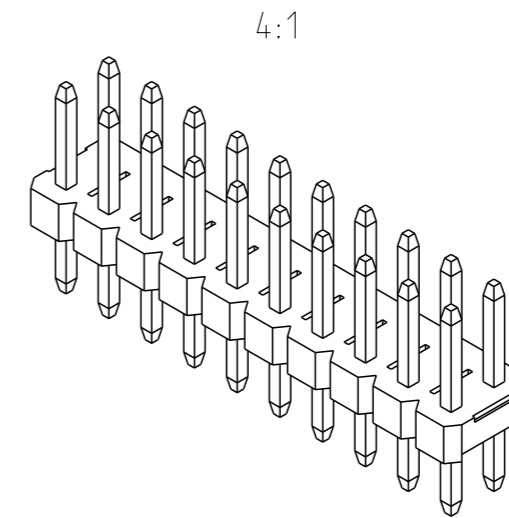
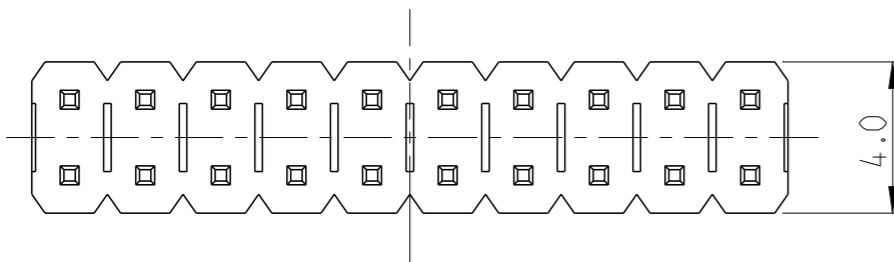


P	LTR	DESCRIPTION	DATE	DWN	APVD
	A	PRODUCTION RELEASE	30AUG2019	SS	PS
	A1	REMOVED TOLERANCE FROM DIM F	18DEC2019	AY	PS

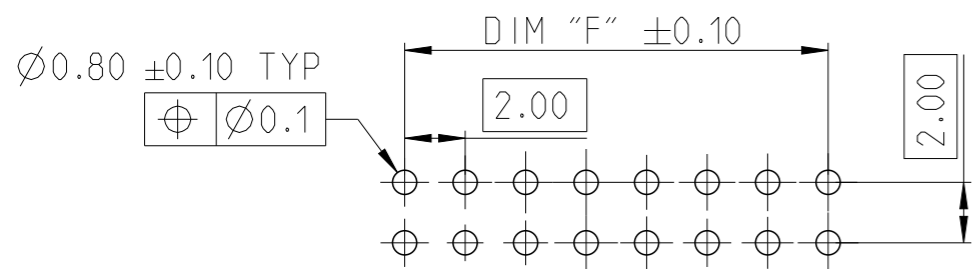


NOTES:

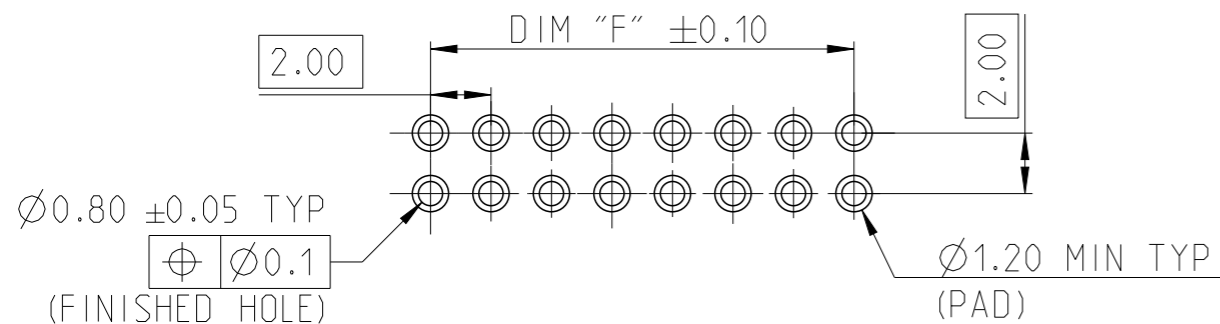
- MATERIAL
HOUSING : HIGH TEMPERATURE THERMOPLASTIC, UL94-V0; COLOR- BLACK
CONTACT PIN : COPPER ALLOY
FINISH : MIN 2.0 μm BRIGHT TIN OVER MIN NICKEL UNDER PLATING.
- PACKAGING: TUBE.
- TOLERANCE NOT CUMULATIVE.
- CUTTING BURR MAX. 0.25 mm.



DIM "F"	DIM "E"	POS PER ROW	TE PN
48.0	50.0	25	2-2842125-5
46.0	48.0	24	2-2842125-4
44.0	46.0	23	2-2842125-3
42.0	44.0	22	2-2842125-2
40.0	42.0	21	2-2842125-1
38.0	40.0	20	2-2842125-0
36.0	38.0	19	1-2842125-9
34.0	36.0	18	1-2842125-8
32.0	34.0	17	1-2842125-7
30.0	32.0	16	1-2842125-6
28.0	30.0	15	1-2842125-5
26.0	28.0	14	1-2842125-4
24.0	26.0	13	1-2842125-3
22.0	24.0	12	1-2842125-2
20.0	22.0	11	1-2842125-1
18.0	20.0	10	1-2842125-0
16.0	18.0	9	2842125-9
14.0	16.0	8	2842125-8
12.0	14.0	7	2842125-7
10.0	12.0	6	2842125-6
8.0	10.0	5	2842125-5
6.0	8.0	4	2842125-4
4.0	6.0	3	2842125-3
2.0	4.0	2	2842125-2



RECOMMENDED PCB HOLE PATTERN FOR THROUGH HOLE WAVE



RECOMMENDED PCB HOLE PATTERN FOR THROUGH HOLE REFLOW /PIN-IN-PASTE

1-2842125-0 AS SHOWN

DESCRIPTION	ITEM NO.
CONTACT PIN	2
HOUSING	1

THIS DRAWING IS A CONTROLLED DOCUMENT.

DIMENSIONS: mm	TOLERANCES UNLESS OTHERWISE SPECIFIED: 0 PLC ±0.2 1 PLC ±0.15 2 PLC ±0.15 3 PLC ±0.15 4 PLC ±0.15 ANGLES ±2°
MATERIAL SEE NOTES	FINISH SEE NOTES

DWN SUBHASREE S 06AUG2019	CHK KARTHIK JK 08AUG2019	APVD PRASHANTH S 09AUG2019
PRODUCT SPEC 108-64040		
APPLICATION SPEC 114-32259		
WEIGHT -		
CUSTOMER DRAWING		

STE TE Connectivity

NAME
AMPMODU 2mm BREAKAWAY HEADER, DUAL ROW, VERTICAL, Sn, TUBE

SIZE A3	CAGE CODE 00779	DRAWING NO C=2842125	RESTRICTED TO -
------------	--------------------	-------------------------	--------------------

SCALE 5:1 SHEET 1 OF 1 REV A1