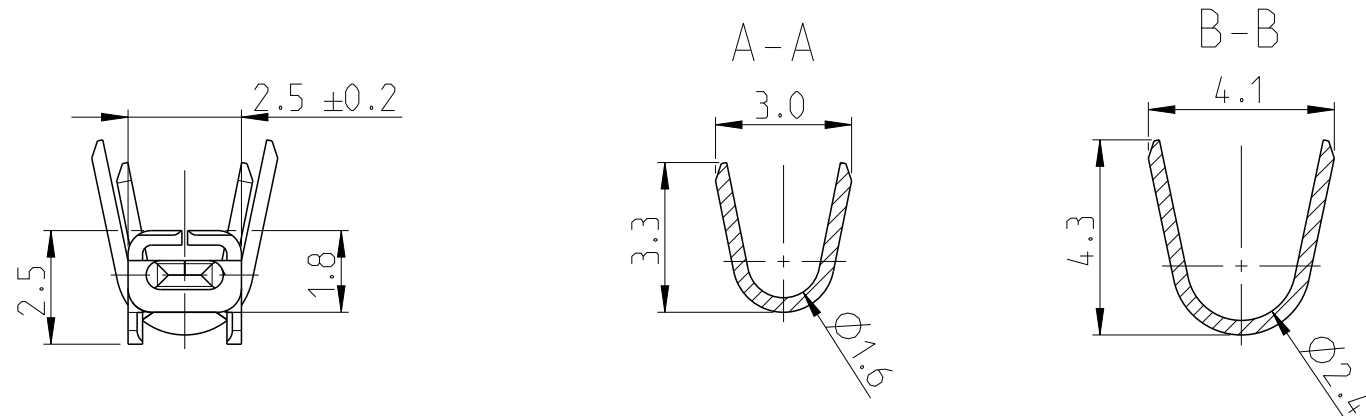
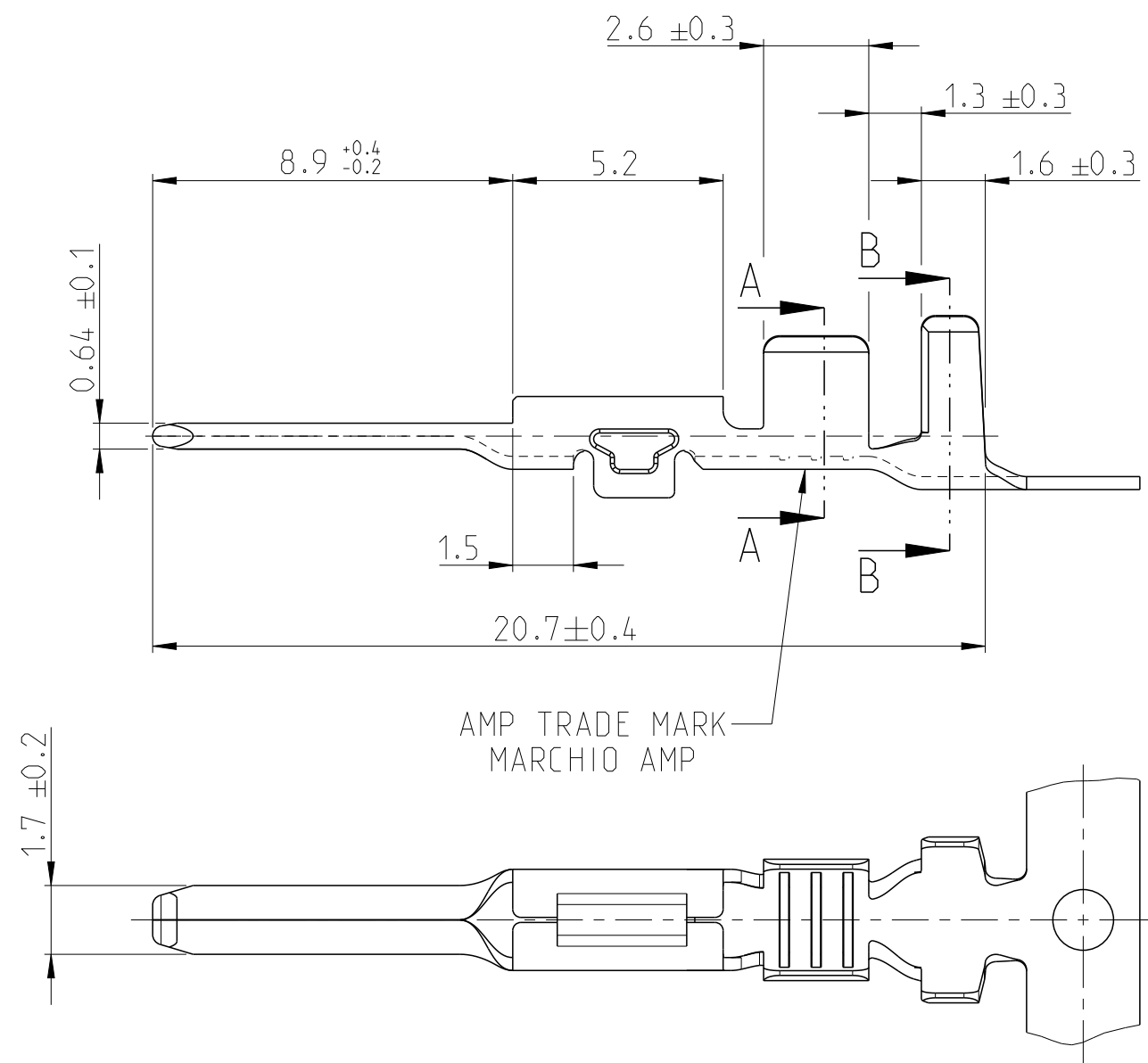


REVISIONS

P	LTR	DESCRIPTION	DATE	DWN	APVD
A2		RELEASED FOR PRODUCTION 00-0162-99	02-06-99	G.S	-
A3		ECR-09-006304	18-03-2009	M.G	-
A4		REDRAWN TO CREO	11APR2017	VH	JP



AMP TRADE MARK
MARCHIO AMP

1 ITEM IS SUPPLIED REELED ON CARTON REEL WITH STRIP PITCH=11.9±0.2mm
 STATO DI FORNITURA: AVVOLTI SU BOBINA CON PASSO TRA TERMINALI DI 11.9±0.2mm

PRE-TIN	BRASS	A	284107-1
FINISH	MATERIAL	REV	PART NO.

CUSTOMER DRAWING FOR REFERENCE ONLY

THIS DRAWING IS A CONTROLLED DOCUMENT.		DWN P.SANTANGELO	28JAN98
		CHK C.BERTINI	28JAN98
DIMENSIONS: mm		APVD	-
TOLERANCES UNLESS OTHERWISE SPECIFIED:		PRODUCT SPEC	108-20175
0 PLC ±		APPLICATION SPEC	114-20095
1 PLC ±		WEIGHT	-
2 PLC ± ±0.3		CUSTOMER DRAWING	
3 PLC ±		SCALE	5:1
4 PLC ±		SHEET	1 OF 1
ANGLES ±2°		RESTRICTED TO	-
FINISH		REV	A4
MATERIAL			

STE TE Connectivity			
NAME MULTILOCK CONN. 070 SRS TAB CTC. SECOND GENERATION			
SIZE	CAGE CODE	DRAWING NO	RESTRICTED TO
A3	-	©=284107	-

WIRE RANGE:	INSULATION RANGE:
Ø0.75-1.5 mm ²	Ø1.9-2.4 mm