

4

3

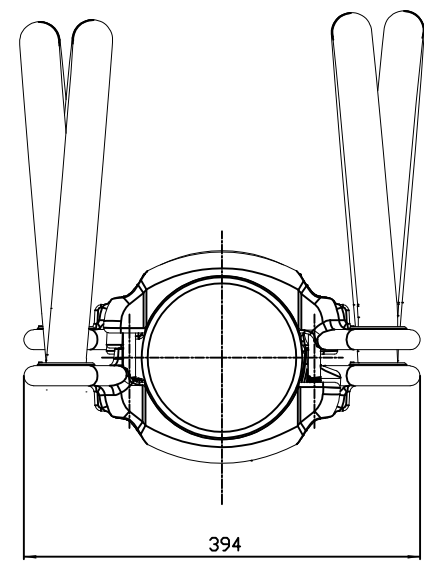
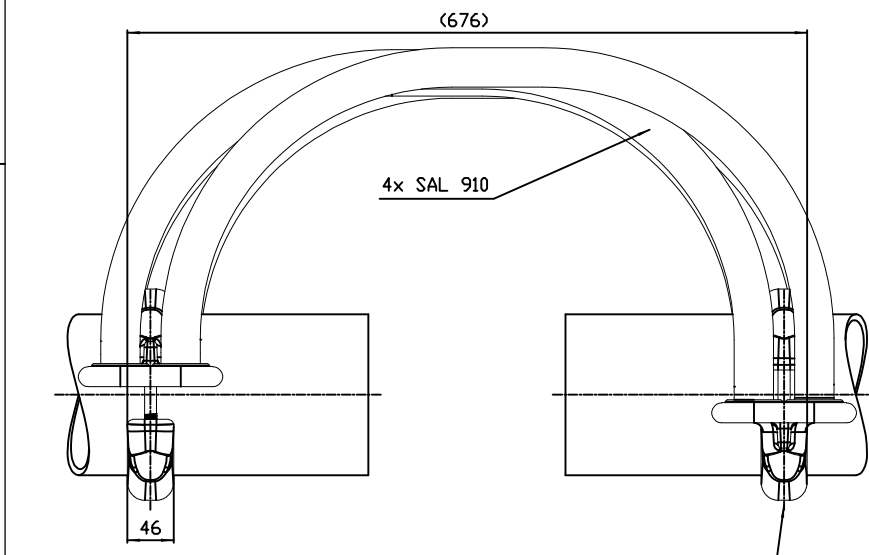
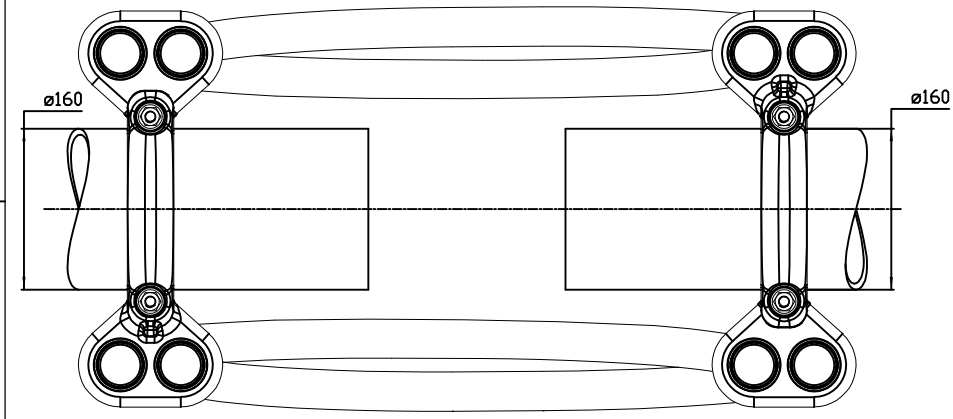
2

1

THIS DRAWING IS UNPUBLISHED.
 DIFFUSION RESTREINTE
 © COPYRIGHT 2011 by Tyco Electronics Corporation

RELEASED FOR PUBLICATION
 LIBRE A LA DIFFUSION
 2011
 ALL RIGHTS RESERVED.
 TOUTS DROITS RESERVES

LOC		DIST		REVISIONS				
P	LTR REV	DESCRIPTION MODIFICATIONS		DATE	DWN DESS	APVD APPR		
	A	CREATION		25-Feb-15	GL	-		



Fixed or sliding
 Fixe ou coulissant

Fixed or sliding
 Fixe ou coulissant

M12 Stainless steel bolts: 60Nm
 Boulons M12 acier inoxydable: 60Nm

ITEM:

THIS DRAWING IS A CONTROLLED DOCUMENT. <small>CE D'AVANT EN AVANT CONTROLÉ PAR LES SERVICES CONCERNÉS ET SAUSCRIPTIONS DÉTÉRIÉES PAR LE SERVICE RÉGIONAL CONCERNÉ LE SERVICE TECHNIQUE DE TYCO ELECTRONICS S.A.S. 3500 SAINT-DENIS-DE-ROUEN, FRANCE.</small>		DWN /DESSINE LAFORGE	25-Feb-15	STE <i>TE connectivity</i> <i>SIMEL PRODUCTS</i>
DIMENSIONS: MM		CHK/VERIFIE -	APVD/APPROUVE -	
TOLERANCES UNLESS OTHERWISE SPECIFIED PER TOLERANCES NON SPECIFIEES SELON : -		PRODUCT SPEC SPEC. PRODUIT 108-69090-001	APPLICATION SPEC SPEC. APPLICATION -	SIZE FORMAT A3
MATERIAL MATIERE -		FINISH FINITION -	WEIGHT MASSE APPROX. 12.5kg	CAGE CODE 00779
		DRAWING NO No PLAN C=2839716		RESTRICTED TO RESERVE A -
		CUSTOMER DRAWING /PLAN CLIENT		UNIQUEMENT POUR REFERENCE
		SCALE ECHELLE 1:5	SHEET FEUILLE 1	OF DE 1
		REV A		