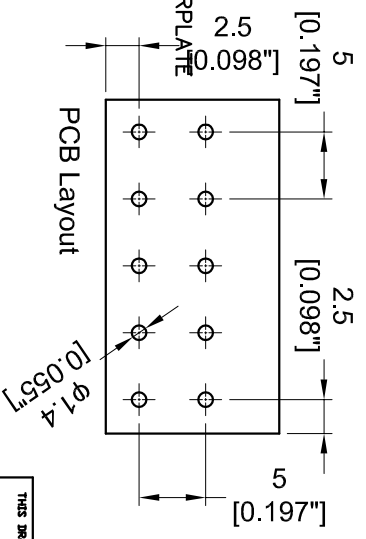
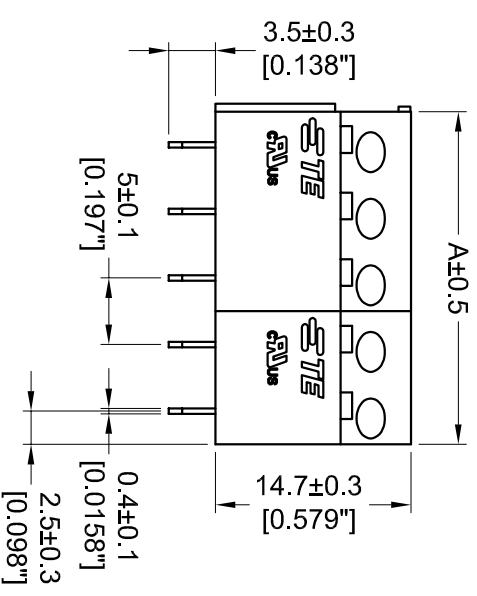
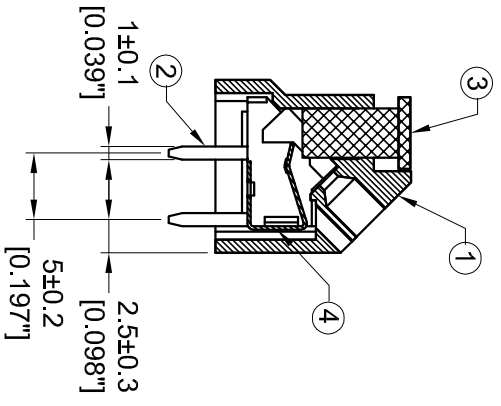
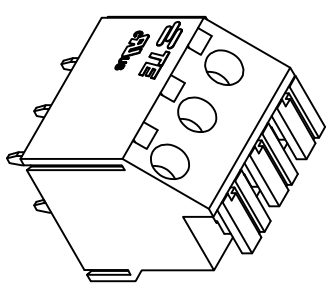
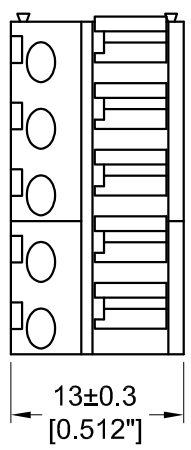


REV. NO.		DATE		BY	
NO.	DESCRIPTION	DATE	BY	NO.	DESCRIPTION
1	REVISED TO ADD CONTACTS	01/11/2011	60322	1	REVISED TO ADD CONTACTS
2	REVISED TO ADD CONTACTS	01/11/2011	60322	2	REVISED TO ADD CONTACTS



NO. OF POSN	NO. OF POSN	NO. OF POSN	NO. OF POSN	NO. OF POSN	NO. OF POSN	NO. OF POSN	NO. OF POSN	
40.00	8 POSN	2834113-7	35.00	7 POSN	2834113-6	30.00	6 POSN	2834113-5
25.00	5 POSN	2834113-4	20.00	4 POSN	2834113-3	15.00	3 POSN	2834113-2
10.00	2 POSN	2834113-1						

- NOTES :
- △ MATERIALS AND FINISH:
 - HOUSING: PA66
 - CONTACTS: BRASS, FINISH: TIN OVER NICKEL UNDERPLATE
 - 2. MUST COMPLY WITH DIRECTIVE 2002/95/EC (RoHS)
 - 3. WIRE TYPES AND SIZES ACCEPTED
 - WIRE RANGE: 14AWG~22AWG.
 - STRIP LENGTH: 10mm
 - 4. PACKAGED IN TRAY.
 - 5. CURRENT RATING: 8Amp AC300V.
 - 6. OPERATION TEMPERATURE: -40°C TO +105°C
 - 7. THIS PART NO. IS THE SAME STRUCTURE AS THE SERIES: 2834113
 - THE DATASHEET AND MORE DETAILS PLEASE FOLLOW THE SERIES: 2834113

THIS DRAWING IS A CONTROLLED DOCUMENT.

DESIGNER	CHKD	DATE	REV
108-137152	108-137152	11-4-137152	1
108-137152	108-137152	11-4-137152	1

5.00mm 45° Entry Screwless Connector

SCALE: 1:1