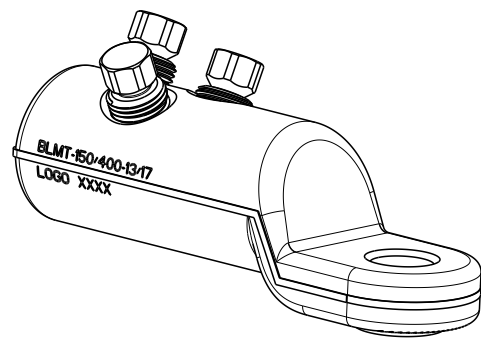
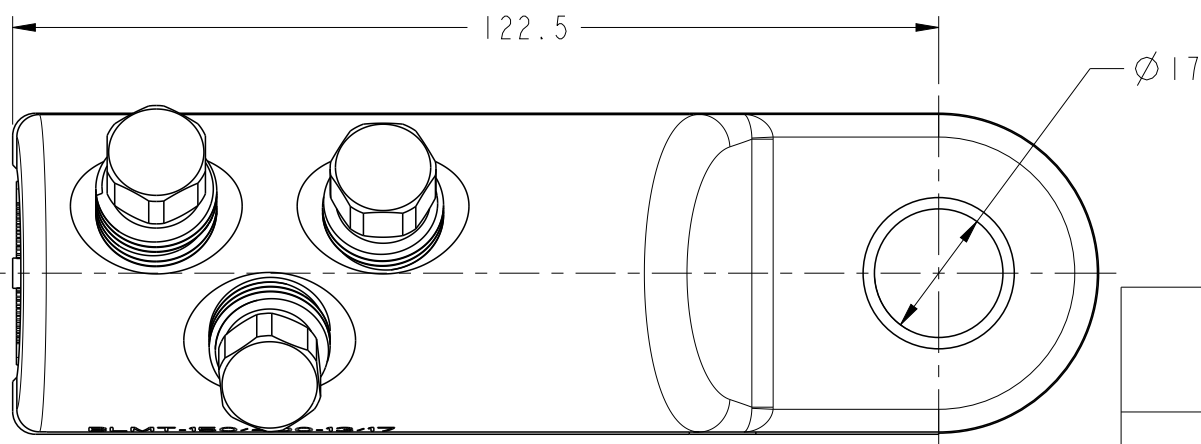
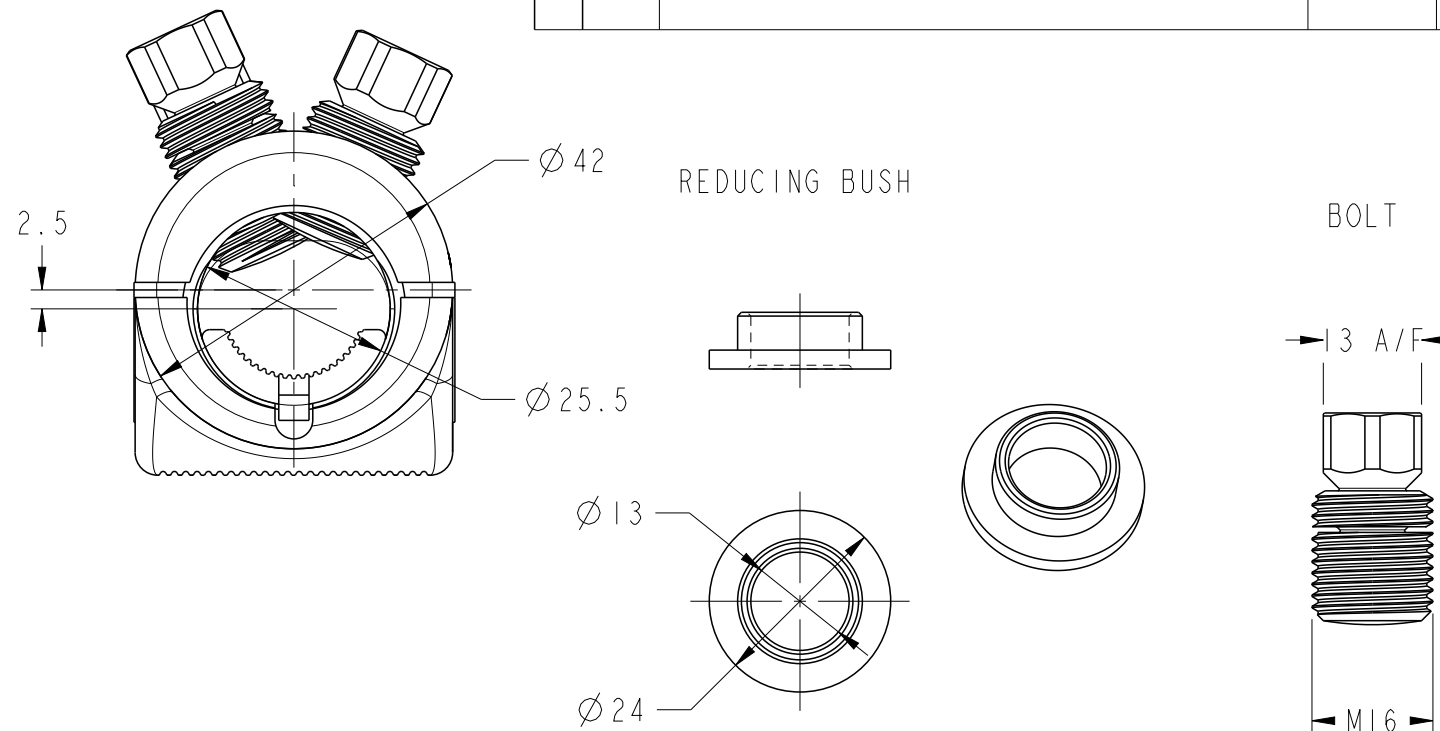
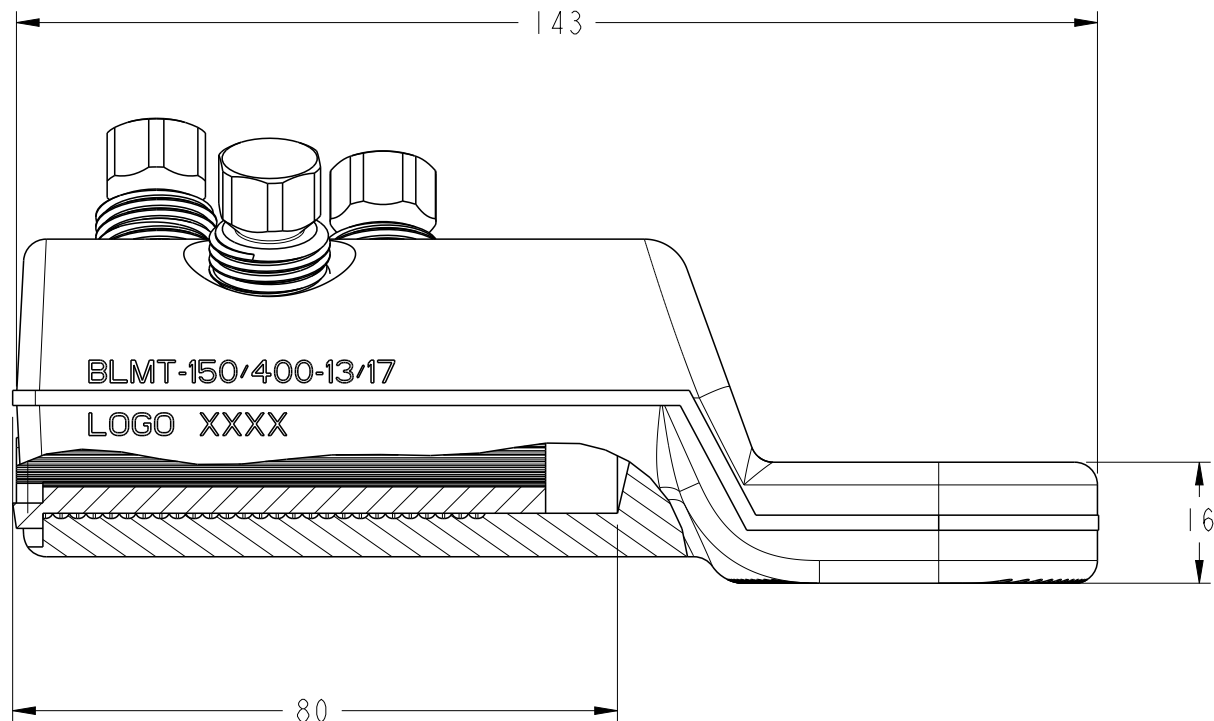


THIS DRAWING IS UNPUBLISHED.  
 DIFFUSION RESTREINTE  
 © COPYRIGHT 2011 BY -  
 ALL RIGHTS RESERVED.  
 TOUS DROITS RESERVES

RELEASED FOR PUBLICATION  
 LIBRE A LA DIFFUSION  
 2011

REVISIONS

P	LTR REV	DESCRIPTION MODIFICATIONS	DATE	DWN DESS.	APVD APP.
	A	CREATION	07MAR2017	JB	NA



	AL				CU		
	ROUND STRANDED /Circ câblé /RM	ROUND SOLID /Circ massif /RE	SECTOR STRANDED /Sectoral câblé /SM	SECTOR SOLID /Sectoral massif /SE	ROUND STRANDED /Circ câblé /RM	SECTOR STRANDED /Sectoral câblé /SM	ROND FLEXIBLE /Cir souple
CONDUCTOR CROSS-SECTION /Section conducteur /Querschnittsbereich mm <sup>2</sup>	150/400	150/400	150/240	185/300 (300 with 90°)	150/400	150/240	300 (class5)
CONDUCTOR DIAMETER /Diamètre conducteur /Leiterdurchmesser mm	Ø13.7-Ø24.6	Ø12.9-Ø22.2	-	-	Ø13.7-Ø24.6	-	Ø23.5-Ø25

TOLERANCES UNLESS  
 OTHERWISE SPECIFIED  
 TOLERANCES NON SPECIFIEES: -

BLMT-150/400-13/17	2832293-1
DESCRIPTION	PART NUMBER

THIS DRAWING IS A CONTROLLED DOCUMENT.  
 CE PLAN EST UN DOCUMENT CONTROLE PAR TYCO ELECTRONICS CORPORATION.  
 IL EST SUSCEPTIBLE D'ETRE REVISE. POUR OBTENIR LA DERNIERE REVISION,  
 CONTACTER LE SERVICE TECHNIQUE DE TYCO ELECTRONICS SIMEL SAS,  
 21220 GEVREY-CHAMBERTIN, FRANCE

DIMENSIONS:  
mm

TOLERANCES UNLESS  
 OTHERWISE SPECIFIED:  
 TOLERANCES NON SPECIFIEES  
 (SUIV NB DE DECIMALES):  
 0 PLC/DEC: ±0  
 1 PLC/DEC: ±0  
 2 PLC/DEC: ±0  
 3 PLC/DEC: ±0  
 4 PLC/DEC: ±0  
 ANGLES ±

MATERIAL  
MATERIE ALU ALLOY

FINISH  
FINITION TINNED

DWN/DESSINE 07MAR2017  
BERLAND

CHK/VERIFIE -  
MILLOT

APVD/APPROUVE -  
ALMEIDA

PRODUCT SPEC  
SPEC. PRODUIT -

APPLICATION SPEC  
SPEC. APPLICATION -

WEIGHT  
MASSE APPROX. 349g

CUSTOMER DRAWING /PLAN CLIENT

NAME  
TITRE BLMT-150/400-13/17

SIZE  
FORMAT A3

CAGE CODE -

DRAWING NO  
No PLAN C-2832293

UNIQUEMENT  
POUR REFERENCE

**STE** TE Connectivity

RESTRICTED TO  
RESERVE A -

SCALE  
ECHELLE 1:2

SHEET  
FEUILLE 1 OF 1

REV A