

THIS DRAWING IS UNPUBLISHED.
DIFFUSION RESTREINTE

RELEASED FOR PUBLICATION
LIBRE A LA DIFFUSION

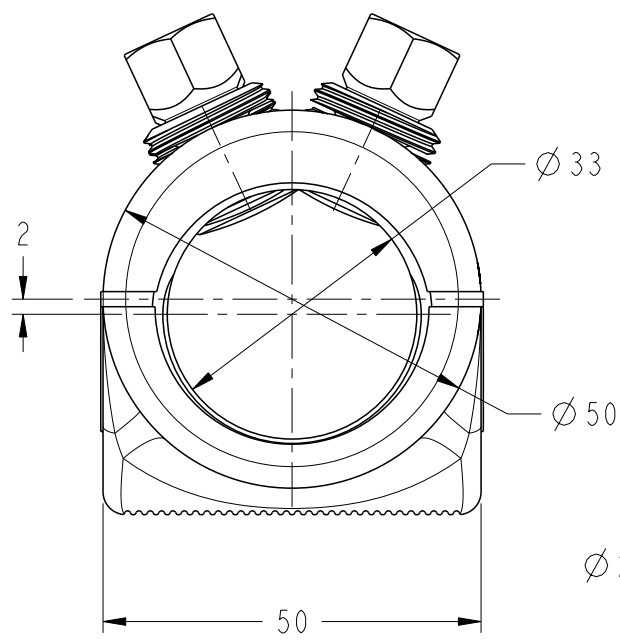
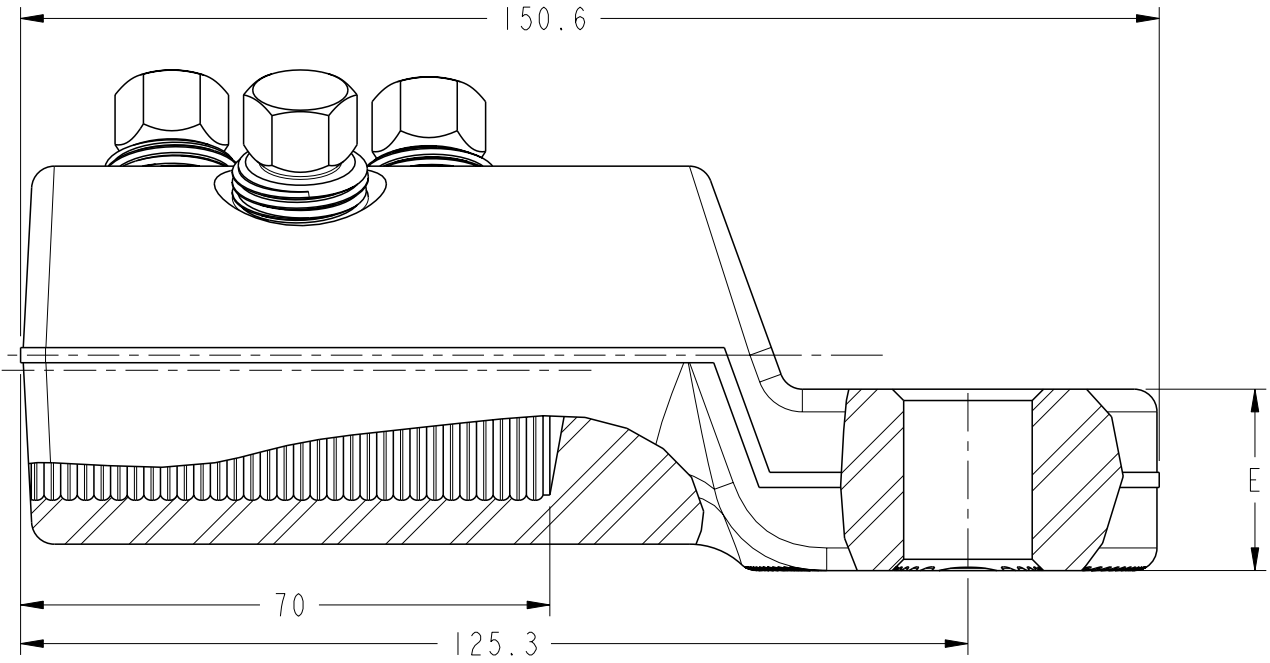
20

© COPYRIGHT 20 BY -

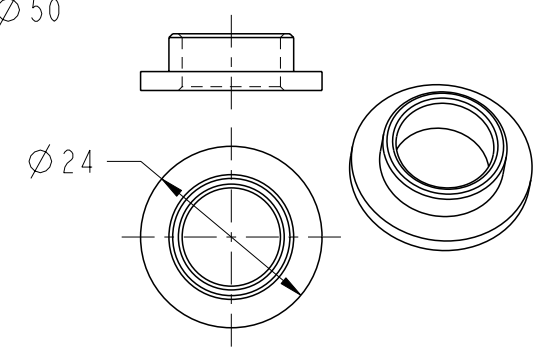
ALL RIGHTS RESERVED.
TOUS DROITS RESERVES

REVISIONS

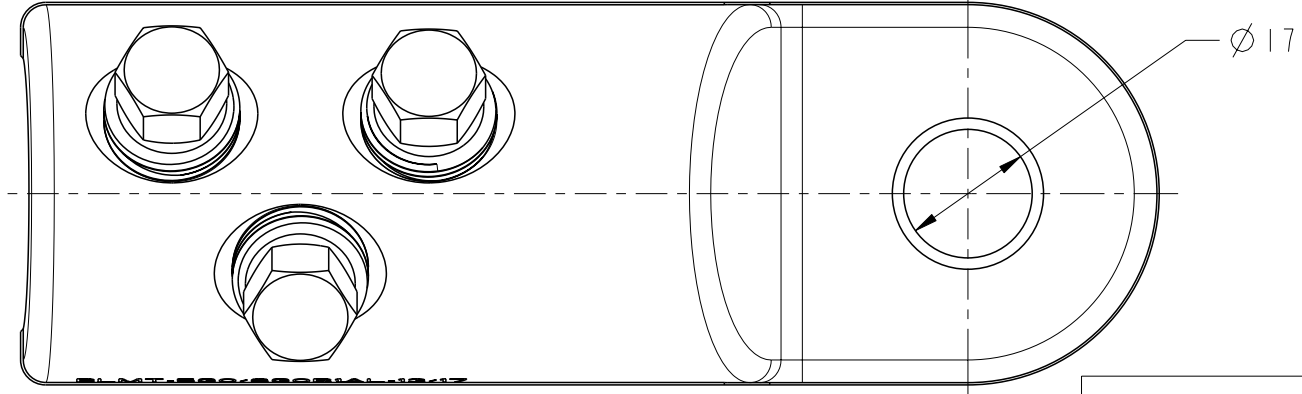
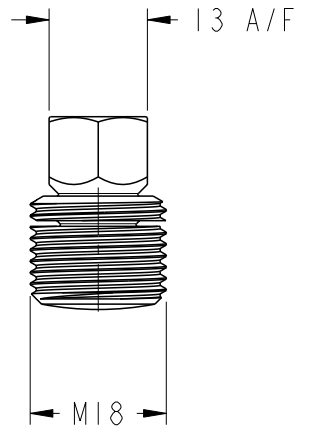
P	LTR REV	DESCRIPTION MODIFICATIONS	DATE	DWN DESS.	APVD APP.
	I	CREATION	20FEB2016	BM	NA
	A	Mise à jour indice	18/10/17	JB	AG
	B	ECR-20-008148	11JUN2020	JB	NA



REDUCING BUSH



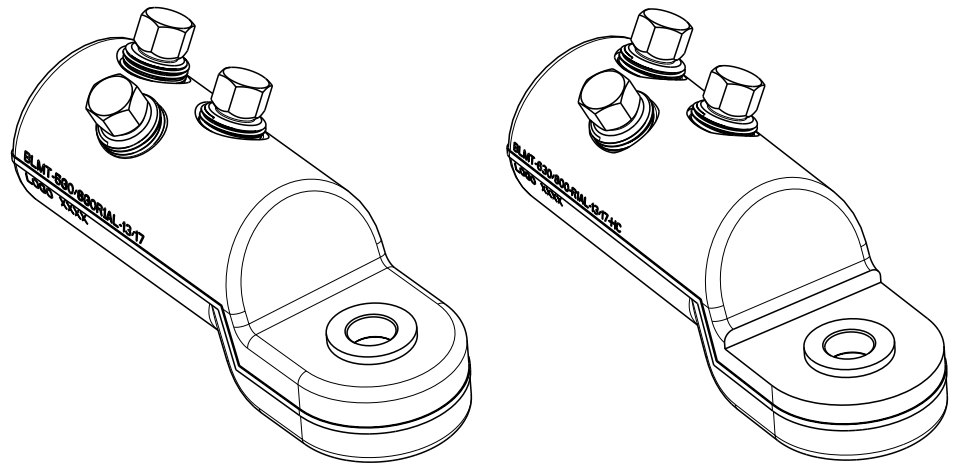
BOLT



DESCRIPTION	PART NUMBER	E	WEIGHT
BLMT-630/800RIAL-13/17-HC	2832272-2	19	515g
BLMT-630/800RIAL-13/17	2832272-1	24	520g

2832272-1

2832272-2



	AL				CU		
	ROUND STRANDED /Circ. câblé /RM	ROUND SOLID /Circ. massif /RE	SECTOR STRANDED /Sectoral câblé /SM	SECTOR SOLID /Sectoral massif /SE	ROUND STRANDED /Circ. câblé /RM	SECTOR STRANDED /Sectoral câblé /SM	ROUND FLEXIBLE /Circ. souple
CONDUCTOR CROSS-SECTION /Section conducteur /Querschnittsbereich mm ²	630	630-800	-	-	630	-	-
CONDUCTOR DIAMETER /Diamètre conducteur /Leiterdurchmesser mm	Ø28.7-Ø32.5	Ø27.3-Ø32.1	-	-	Ø28.7-Ø32,5	-	-

TOLERANCES UNLESS OTHERWISE SPECIFIED
TOLERANCES NON SPECIFIEES: -

THIS DRAWING IS A CONTROLLED DOCUMENT.
CE PLAN EST UN DOCUMENT CONTROLE PAR TYCO ELECTRONICS CORPORATION
IL EST SUSCEPTIBLE D'ETRE REVISE. POUR OBTENIR LA DERNIERE REVISION,
CONTACTER LE SERVICE TECHNIQUE DE TYCO ELECTRONICS SIMEL SAS,
21220 GEVREY-CHAMBERTIN, FRANCE.

DWN/DESSINE 20FEB2017
B. MILLOT

CHK/VERIFIE -
D. BARTA

APVD/APPROUVE -
N. ALMEIDA

PRODUCT SPEC
SPEC. PRODUIT -

APPLICATION SPEC
SPEC. APPLICATION
IEC 61238

WEIGHT
MASSE APPROX. -

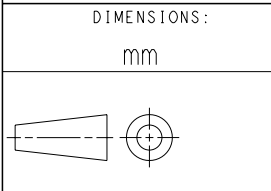
CUSTOMER DRAWING /PLAN CLIENT



NAME TITRE
BLMT-630/800RIAL-13/17
BLMT-630/800RIAL-13/17-HC

SIZE FORMAT A3
CAGE CODE 00779
DRAWING NO No PLAN C-2832272

RESTRICTED TO RESERVE A -



DIMENSIONS:
mm
MATERIAL MATIERE -
ALL ALLOY

TOLERANCES UNLESS OTHERWISE SPECIFIED:
TOLERANCES NON SPECIFIEES (SUIV NB DE DECIMALES):
0 PLC/DEC: ±-
1 PLC/DEC: ±0.1
2 PLC/DEC: ±0.01
3 PLC/DEC: ±0.001
4 PLC/DEC: ±0.0001
ANGLES ±-

FINISH FINITION -
TINNING

UNIQUEMENT POUR REFERENCE SCALE ECHELLE 1:1 SHEET FEUILLE 1 OF DE 1 REV B

ECHELLE 1:2