

THIS DRAWING IS UNPUBLISHED.

RELEASED FOR PUBLICATION

REVISIONS

ALL RIGHTS RESERVED.

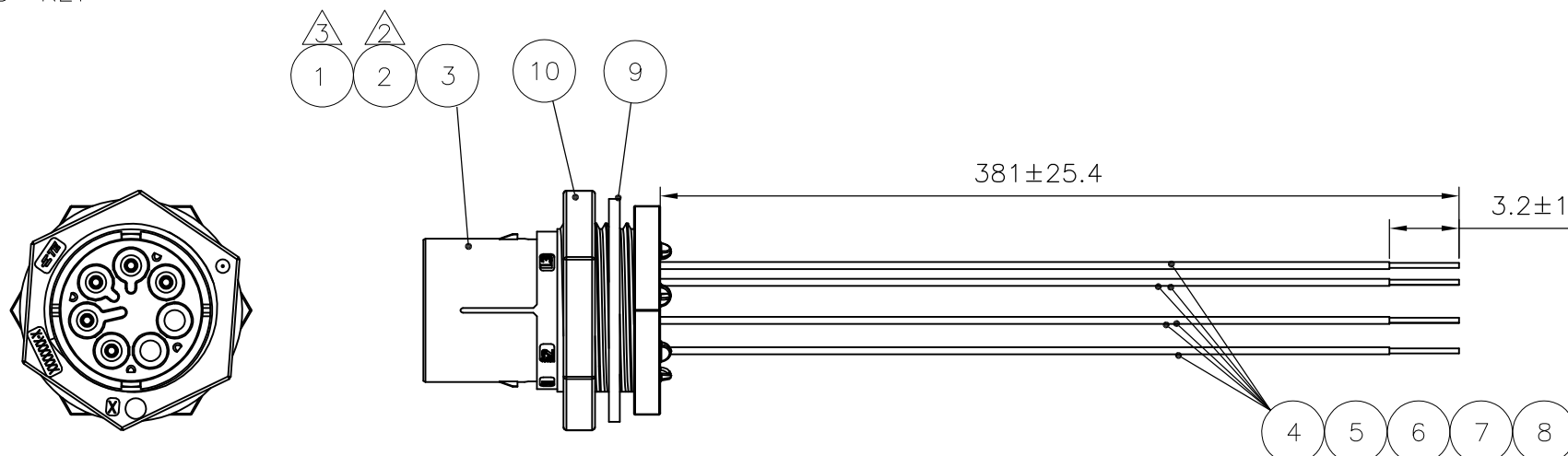
© COPYRIGHT - By -

P	LTR	DESCRIPTION	DATE	DWN	APVD
	B	REVISED PER ECR-16-007103	25JUN2016	GSK	AP

NOTES:

- 1 EACH ITEM AND ASSEMBLY MUST COMPLY WITH EUROPEAN REDUCTION OF HAZARDOUS SUBSTANCES (RoHS) REGULATION. UNDER DIRECTIVE 2011/65/EU AND HARMONIZED STANDARD EN 50581:2012.
- 2 DO NOT SOLDER CONTACT, CRIMP ONLY
- 3 IDENTIFY POSITION PE, LOADING POSITIONER PE TO SOCKET PE
- 4 PE CONTACT CIRCUIT IDENTIFIED BY EXTENDED LENGTH POLARIZED "KEY"
- 5 ELECTRICAL TEST:  
100% OPEN SHORT&MISS WIRE TEST  
CONTACT RESISTANCE: 2 OHM MAX

TE P/N  
2829494-1



WIRE DIAGRAM

P1	COLOR
N	BLUE
L1	BROWN
PE	GREEN/YELLOW
L2 (NO PIN)	
S1	BLACK
S2	GRAY
L3 (NO PIN)	

1	PC	PANEL NUT	10
1	PC	PANEL GASKET, SEALED NECTOR M	9
AR	M	WIRE, ELEC, 18 AWG, HARMONIZED BLUE	8
AR	M	WIRE, ELEC, 18 AWG, HARMONIZED BROWN	7
AR	M	WIRE, ELEC, 18 AWG, HARMONIZED GREEN/YELLOW	6
AR	M	WIRE, ELEC, 18 AWG, HARMONIZED BLACK	5
AR	M	WIRE, ELEC, 18 AWG, HARMONIZED GRAY	4
1	PC	PIN HOUSING, PANEL, 5P, A CODE	3
5	PC	PIN, NECTOR-M, 16-18 AWG	2
1	PC	CONN, NECTOR-M, POSITIONER, 7P, -2	1
-1	UoM	DESCRIPTION	ITEM

THIS DRAWING IS A CONTROLLED DOCUMENT.		DWN T.BURZYŃSKI 15JUN2015	TE Connectivity			
DIMENSIONS: mm		CHK D.E.MCCLURE 15JUN2015				
TOLERANCES UNLESS OTHERWISE SPECIFIED:		APVD A.V.ZANDVOORT 15JUN2015	NAME			
0 PLC ± - 1 PLC ± - 2 PLC ± - 3 PLC ± - 4 PLC ± - ANGLES ± -		PRODUCT SPEC	PIGTAIL 5 POS BULKHEAD PIN STD HARMONIZED CABLE SEALED			
MATERIAL		APPLICATION SPEC	SIZE	CAGE CODE	DRAWING NO	RESTRICTED TO
FINISH		WEIGHT	A3	00779	C-2829494	-
CUSTOMER DRAWING			SCALE	SHEET	REV	
			NTS	1 OF 1	B	