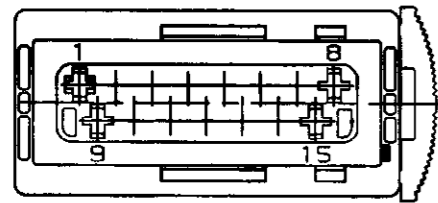


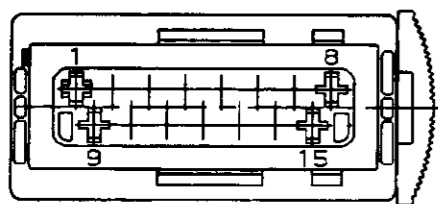
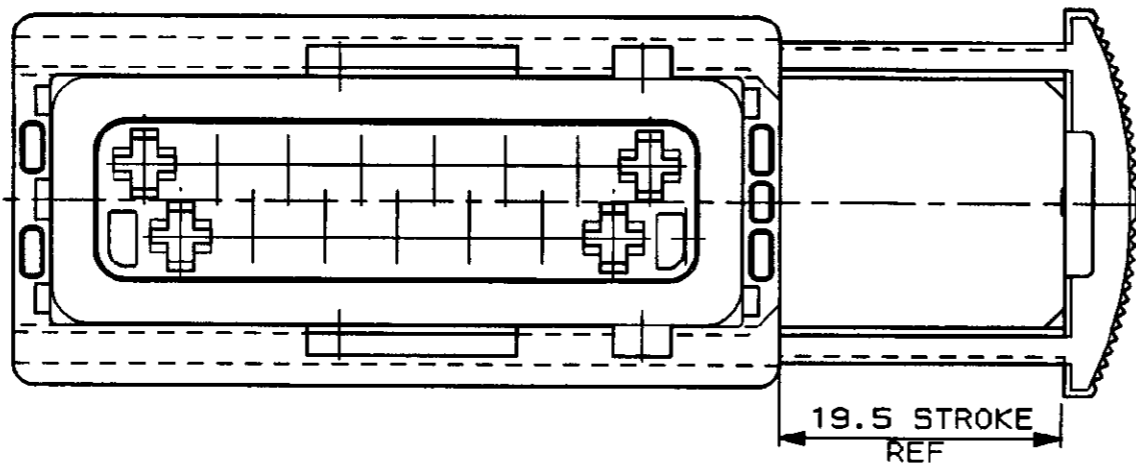
SCALA NON IMPEGNATIVA
(DO NOT SCALE)
DIMENSIONI IN mm
(DIMENSIONS IN IN)

METRIC

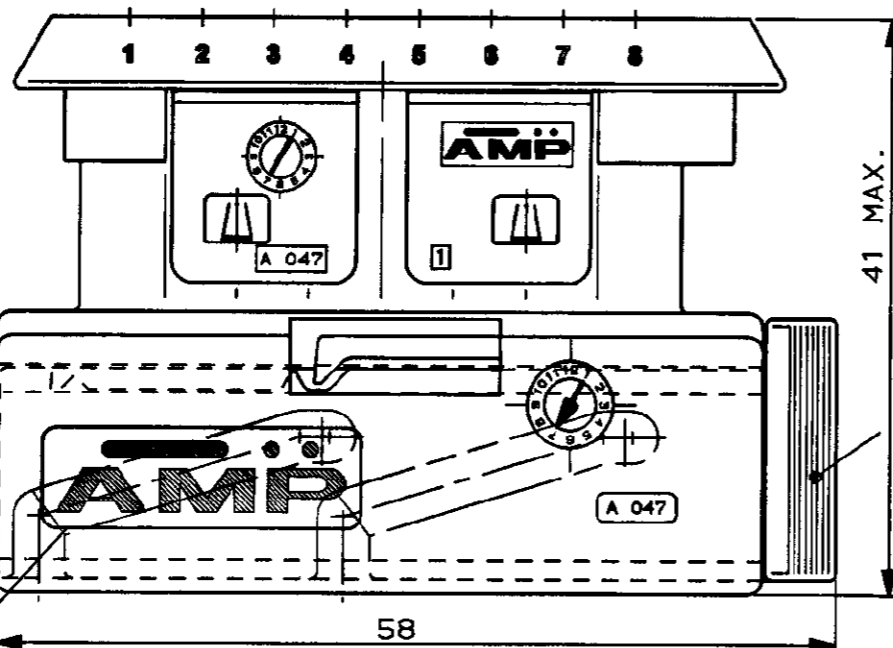
PROIEZIONE EUROPEA
(EUROPEAN PROJECTION)



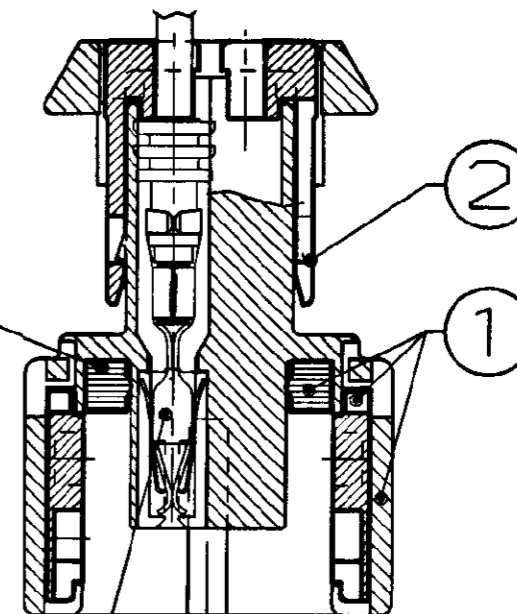
PN 282311-1



PN 282311-3



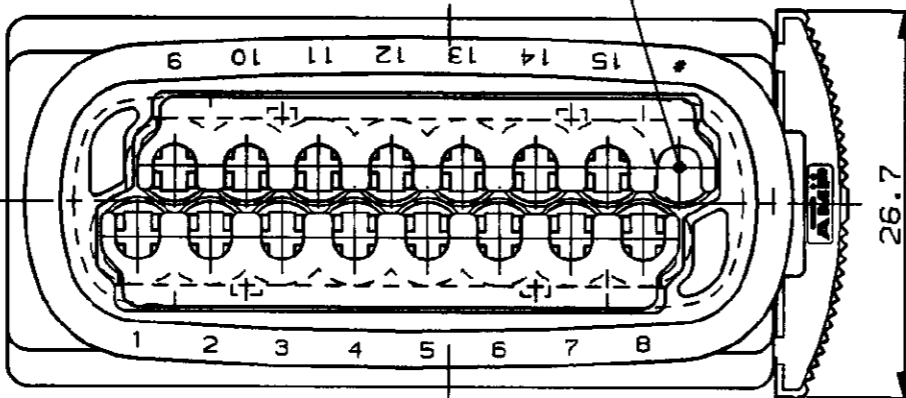
SUPPLIED WITH
"SLIDE" ON
CLOSED POSITION.



ALTERNATIVE TE LOGO ADMITTED



CLOSED CAVITY



2x	2x	2	SEC. LOCK RED	PA 6.6 10-15% G.F.	282315-1
1x	=	1	HOUSING ASS'Y GREY	PA 6.6 10-15% G.F.	282313-3
=	1x	1	HOUSING ASS'Y BLACK	PA 6.6 10-15% G.F.	282313-1
282311-3	282311-1	POS.	STRUTTURA / COLORE STRUCTURE / COLOUR	MATERIALE (MATERIAL)	NUMERO (PART NUMBER)
			CUSTOMER DWG. FOR REFERENCE ONLY		DISEGNO PER CLIENTE SOLO PER RIFERIMENTO
THIS DRAWING IS UNPUBLISHED					
© COPYRIGHT 1989 BY AMP INC. RESERVED. AMP PRODUCTS MAY BE COVERED BY U.S. AND FOREIGN PATENT AND/OR PATENT PENDING					
TOLLERANZE, SE NON DIVERSAMENTE SPECIFICATO			DIAM. ISOLANTE (INS. DIA. RANGE)		RANGO FILO (WIRE RANGE)
TOLERANCES, UNLESS OTHERWISE SPECIFIED			-		SCALA (SCALE)
± 0.3			-		2:1
ANGOLI (ANGLED)			-		
± 2°			-		
DIS. (DR.)			15 FEB. 1993		
E. CINI			-		
CONT. (CHK)			-		
C. TARTARI			-		
DESCRIZIONE (DESCRIPTION)			15 POS. J.P.T. CNT. SEALED FEMALE CONN.		
LOC.	SIZE	NUMERO (DWS NO)	REV.	FOLIO (SHEET)	
I A3	C-282311	A2	1	DI (COP)	

RESTRICTED
THE DESIGN CONFIGURATION OF THIS PRODUCT IS
RESTRICTED BEFORE USE CONTACT THE CHIEF
ENGINEER OF AMP ITALIA. THE TECHNOLOGY IS
FREE FOR AMP USE.

UNPUBLISHED COPY
THIS INFORMATION IS CONFIDENTIAL AND IS
DISCLOSED TO YOU ON CONDITION THAT NO
FURTHER DISCLOSURE IS MADE BY YOU TO OTHER
THAN AMP PERSONNEL WITHOUT A WRITTEN
AUTHORIZATION FROM AMP ITALIA SPA.

A2	ALTERNATIVE TE LOGO ADDED	A.B.	06/09/2014
A1	MODIFIED per ET0440-96	D.B.	01/11/1993
A	RELEASED per ET0091-96	D.B.	18. 1989
3	REVISED	E.CINI	15 FEB. 1993
2	REVISED	E.C.	15 FEB. 1993
1	REDRAWN WAS 91-51018	E.C.	2.4. '89
REV.	REVISIONT (REVISION RECORD)	DIS. DATA (DR. DATE)	APP. (APP.)

DISTRIBUZIONE
OPRINT DIST.)