

THIS DRAWING IS UNPUBLISHED.

RELEASED FOR PUBLICATION

20

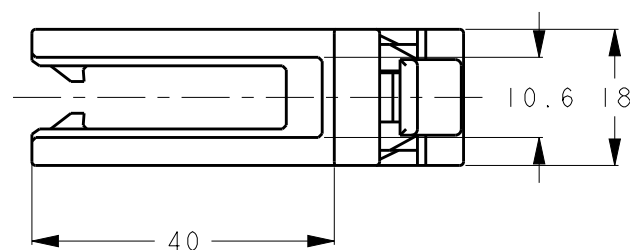
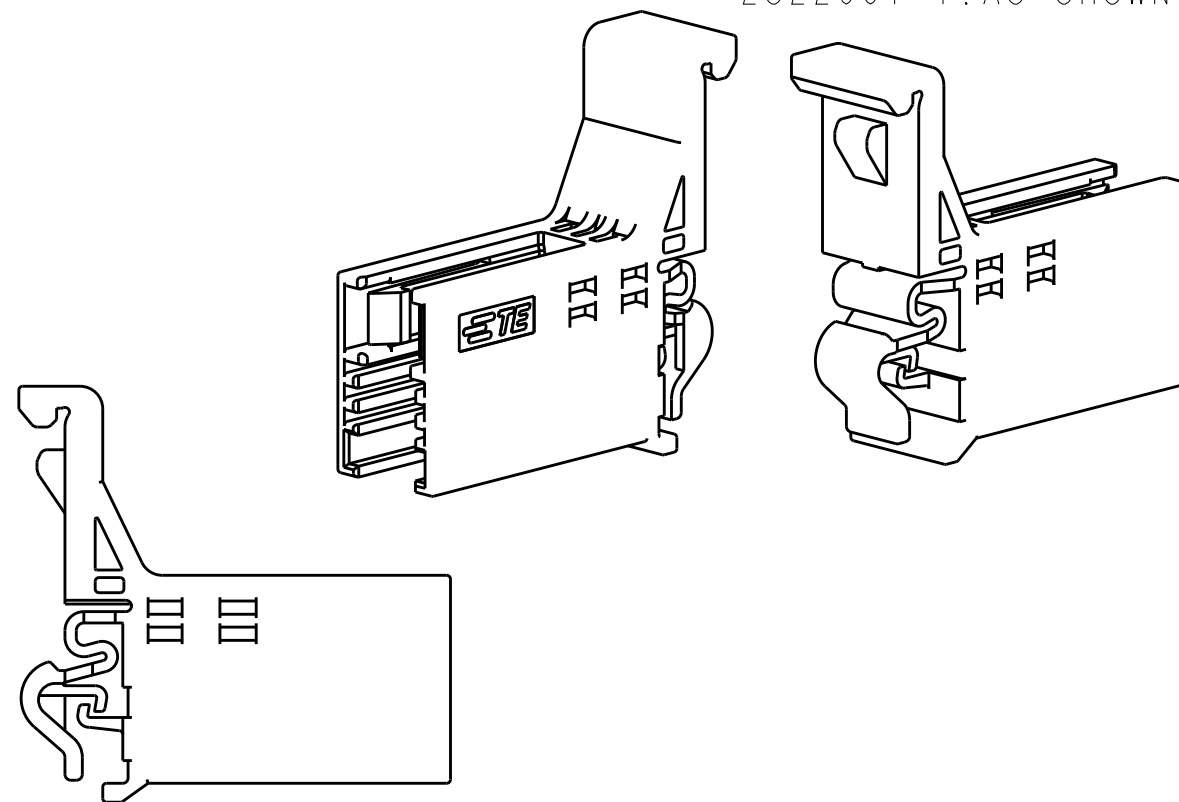
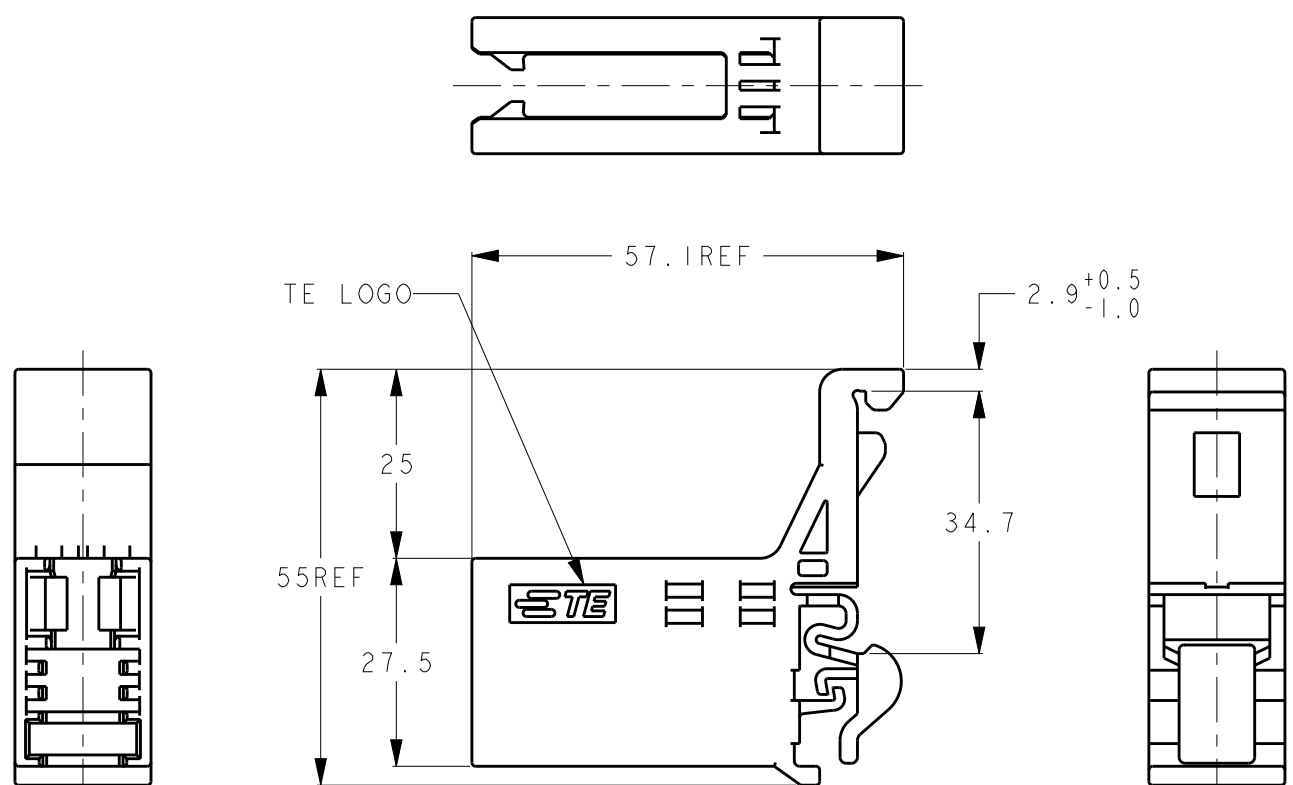
© COPYRIGHT 20 BY -

ALL RIGHTS RESERVED.


REVISIONS

P	LTR	DESCRIPTION	DATE	DWN	APVD
	A	RELEASED	27NOV2015	K.T	E.T

2822901-1:AS SHOWN



- 1 MATERIAL: THERMO PLASTICS.
- 2 APPLICABLE FOR TH35-7 Fe, TH35-7 Al, TH35-15Fe DESCRIBED IN JIS C 2812.(IEC 60715)
- 3 INSTRUCTION SHEET: 408-78110

THIS DRAWING IS A CONTROLLED DOCUMENT.		DWN K. TERAJIMA 03MAR2015	 TE Connectivity													
DIMENSIONS: mm		CHK M. HARASAWA 03MAR2015														
TOLERANCES UNLESS OTHERWISE SPECIFIED: ± 0.5		APVD N. YAMASAKI 03MAR2015	NAME DIN RAIL ATTACHEMENT D4200S FREE HANGING TYPE													
<table border="1"> <tr><td>0-PLC</td><td>±</td></tr> <tr><td>1-PLC</td><td>±</td></tr> <tr><td>2-PLC</td><td>±</td></tr> <tr><td>3-PLC</td><td>±</td></tr> <tr><td>4-PLC</td><td>±</td></tr> <tr><td>ANGLES</td><td>±3°</td></tr> </table>		0-PLC	±	1-PLC	±	2-PLC	±	3-PLC	±	4-PLC	±	ANGLES	±3°	PRODUCT SPEC 108-140074	SIZE A3	
0-PLC	±															
1-PLC	±															
2-PLC	±															
3-PLC	±															
4-PLC	±															
ANGLES	±3°															
MATERIAL TBD		APPLICATION SPEC -	CAGE CODE -	DRAWING NO C-2822901												
FINISH -		WEIGHT -	RESTRICTED TO -													
-		CUSTOMER DRAWING	SCALE 1:1	SHEET 1 OF 1												
			REV A													