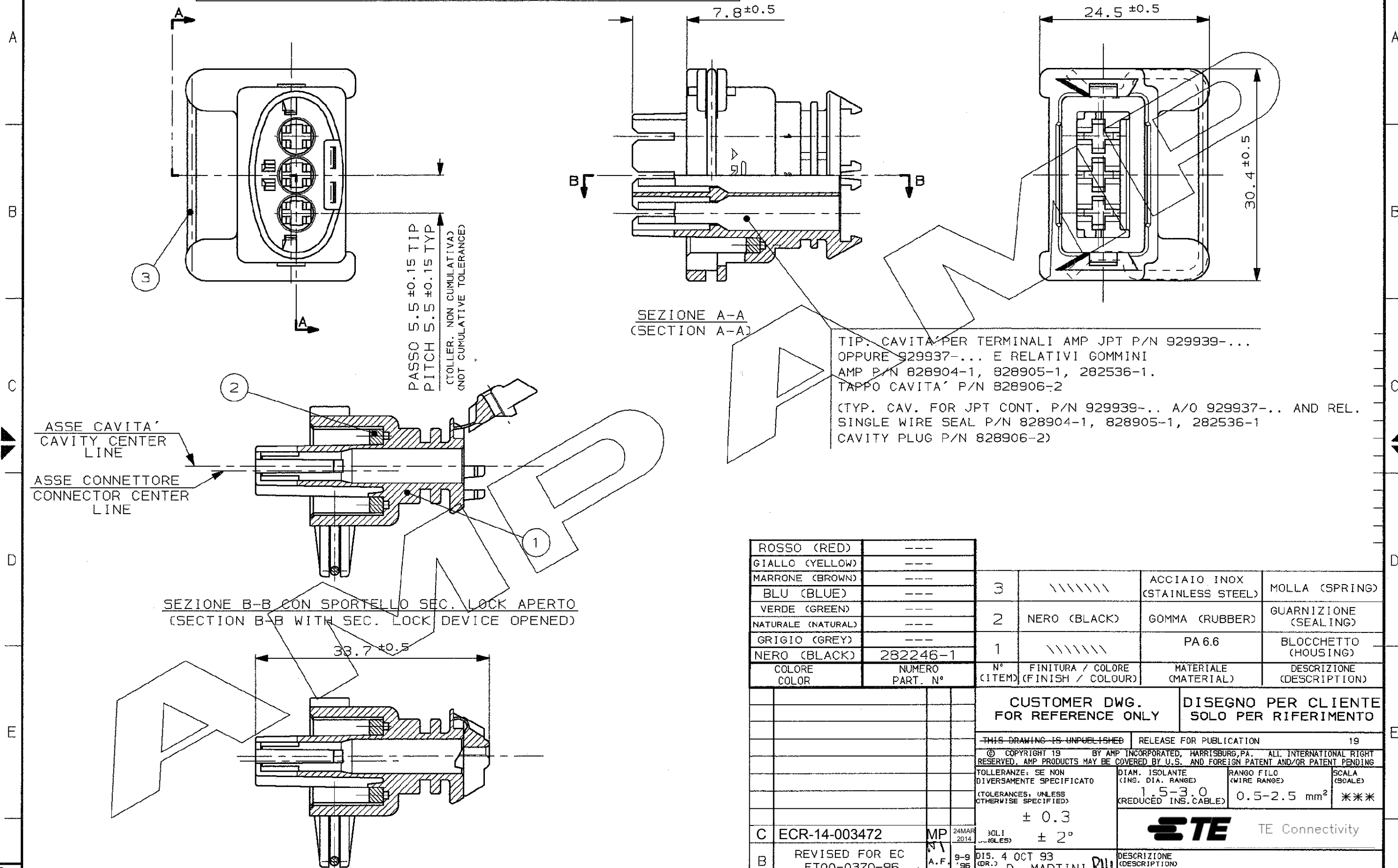


CONNETTORE TIPO A (CON MOLLA DI RITEGNO ESTERNA)
CONNECTOR TYPE A (WITH EXTERNAL SPRING)

SCALA NON IMPEGNATIVA
(DO NOT SCALE)
DIMENSIONI IN mm
(DIMENSIONS IN)

METRIC

PROIEZIONE EUROPEA
(EUROPEAN PROJECTION)



SEZIONE A-A
(SECTION A-A)

TIP. CAVITA' PER TERMINALI AMP JPT P/N 929939-...
OPPURE 929937-... E RELATIVI GOMMINI
AMP P/N 828904-1, 828905-1, 282536-1.
TAPPO CAVITA' P/N 828906-2

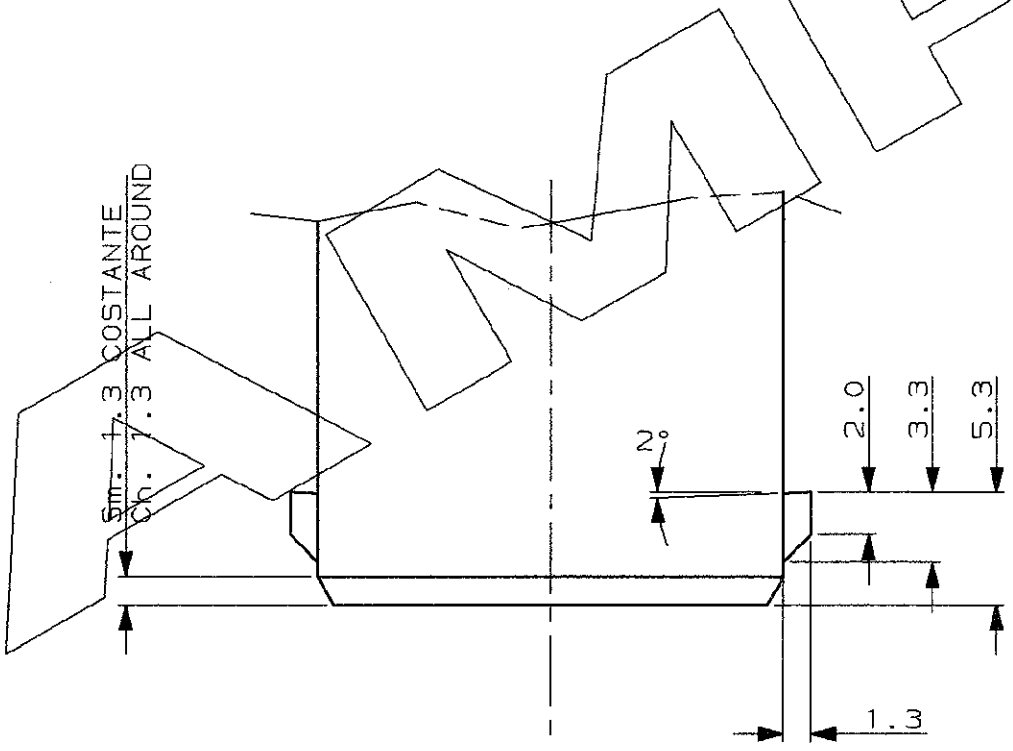
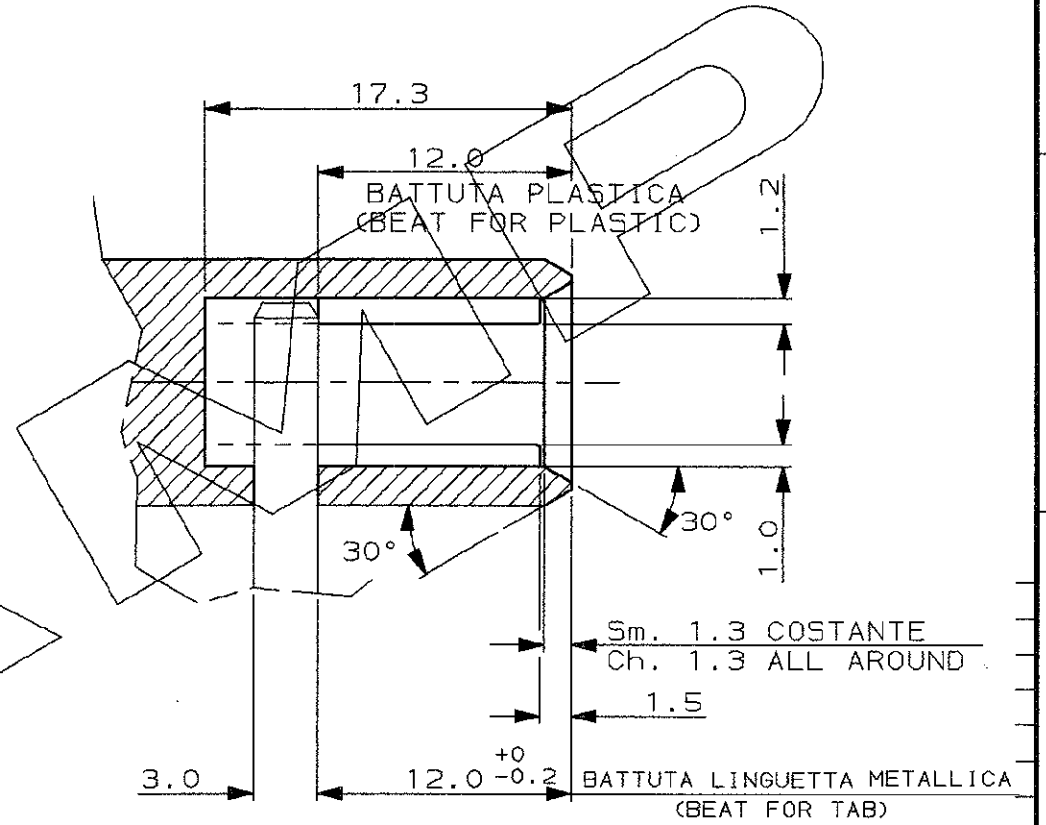
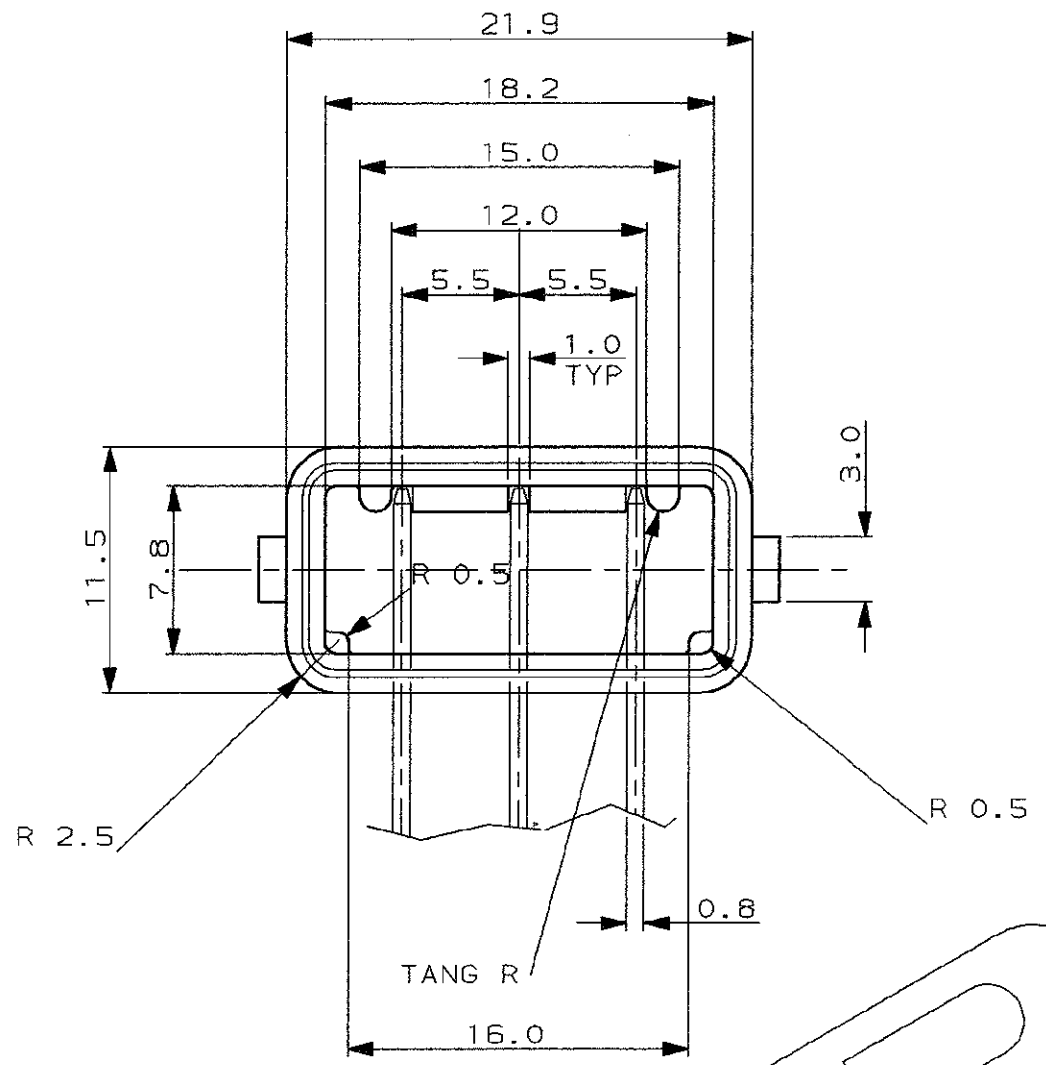
(TYP. CAV. FOR JPT CONT. P/N 929939-... A/O 929937-... AND REL.
SINGLE WIRE SEAL P/N 828904-1, 828905-1, 282536-1
CAVITY PLUG P/N 828906-2)

SEZIONE B-B CON SPORTELLO SEC. LOCK APERTO
(SECTION B-B WITH SEC. LOCK DEVICE OPENED)

SEZIONE B-B CON SPORTELLO SEC. LOCK CHIUSO
(SECTION B-B WITH SEC. LOCK DEVICE CLOSED)

ROSSO (RED)	---				
GIALLO (YELLOW)	---				
MARRONE (BROWN)	---				
BLU (BLUE)	---	3	///////	ACCIAIO INOX (STAINLESS STEEL)	MOLLA (SPRING)
VERDE (GREEN)	---				
NATURALE (NATURAL)	---	2	NERO (BLACK)	GOMMA (RUBBER)	GUARNIZIONE (SEALING)
GRIGIO (GREY)	---				
NERO (BLACK)	282246-1	1	///////	PA 6.6	BLOCCHETTO (HOUSING)
COLORE COLOR	NUMERO PART. N°	N° (ITEM)	FINITURA / COLORE (FINISH / COLOUR)	MATERIALE (MATERIAL)	DESCRIZIONE (DESCRIPTION)
		CUSTOMER DWG. FOR REFERENCE ONLY		DISEGNO PER CLIENTE SOLO PER RIFERIMENTO	
		THIS DRAWING IS UNPUBLISHED		RELEASE FOR PUBLICATION 19	
© COPYRIGHT 19 BY AMP INCORPORATED, HARRISBURG, PA. ALL INTERNATIONAL RIGHT RESERVED. AMP PRODUCTS MAY BE COVERED BY U.S. AND FOREIGN PATENT AND/OR PATENT PENDING					
TOLLERANZE: SE NON DIVERSAMENTE SPECIFICATO (TOLERANCES, UNLESS OTHERWISE SPECIFIED)		DIAM. ISOLANTE (INS. DIA. RANGE) RANGO FILO (WIRE RANGE) SCALA (SCALE)		1.5-3.0 (REDUCED INS. CABLE) 0.5-2.5 mm ² ***	
± 0.3		± 2°		TE Connectivity	
C	ECR-14-003472	MP	24MAR 2014	30LI (LIGLES)	
B	REVISED FOR EC ET00-0370-96	A.F.	9-9 '96	DIS. 4 OCT 93 (DR.) R. MARTINI RW	
1	FIRST ISSUE (ALREADY IN PRODUCTION)	R.M.	4-10 93	CONT. 5 OCT 93 (CHK) C. TARTAGLIA	
REV. (REV. CDR.)	REVISIONI (REVISION RECORD)	DIS. (DR.)	DATA (DATE)	APP. (APP.)	DESCRIZIONE (DESCRIPTION) 3 W. WATER PROOF CONN. ASS'Y with SEC. LOCK FOR PHASE SENSOR
				LOC. SIZE NUMERO (DWG NO)	REV. FOGLIO (SHEET)
				I A3 C-282246	C 1 DI (CF) 2

DISTRIBUZIONE
(PRINT DIST.)



NOTE (NOTES):

- 1) MATERIALE CONTATTI: LEGA DI RAME STAGNATA, ES. OTTONE STAGNATO.
(TAB MATERIAL: TINNED CU ALLOY, E.G. TINNED BRASS).
- 2) MATERIALE BLOCCHETTO: TERMOPLASTICO CARICATO FIBRA VETRO.
(HOUSING MATERIAL: THERMOPLASTIC GLASS FIBER FILLED).
- 3) SOLO PER RIF.: CONTROPARTE SENSORE DI FASE (BOSCH).
(ONLY FOR REF.: COUNTERPART PHASE SENSOR BOSCH).

DISTRIBUZIONE
(PRINT DIST.)

FINITURA / COLORE (FINISH / COLOUR)		MATERIALE (MATERIAL)		NUMERO (PART NUMBER)	
CUSTOMER DWG. FOR REFERENCE ONLY		DISEGNO PER CLIENTE SOLO PER RIFERIMENTO		19	
THIS DRAWING IS UNPUBLISHED				RELEASE FOR PUBLICATION	
© COPYRIGHT 19 BY AMP INCORPORATED, HARRISBURG, PA. ALL INTERNATIONAL RIGHT RESERVED. AMP PRODUCTS MAY BE COVERED BY U.S. AND FOREIGN PATENT AND/OR PATENT PENDING					
TOLLERANZE: SE NON DIVERSAMENTE SPECIFICATO (TOLERANCES, UNLESS OTHERWISE SPECIFIED)			DIAM. ISOLANTE (INS. DIA. RANGE)		SCALA (SCALE)
± 0.1			SEE SH. 1		SEE SH. 1 3:1
ANGOLI (ANGLES)			TE Connectivity		
± 2°			DESCRIPTION (DESCRIPTION)		
DIS. 4 OCT 93 (DR.) R. MARTINI			3 W. WATER PROOF CONN. ASS'Y with SEC. LOCK FOR PHASE SENSOR		
CONT. 5 OCT 93 (CHK) C. TARTARI			LOC. SIZE NUMERO (DWG NO)		REV. FOGLIO (SHEET)
SEE SHEET 1 OF 2			I A3 C-282246		- 2 (OF) 2
REV. (REV.)	REVISIONI (REVISION RECORD)	DIS. DATA (DR) (DATE)	APP. (APP.)		