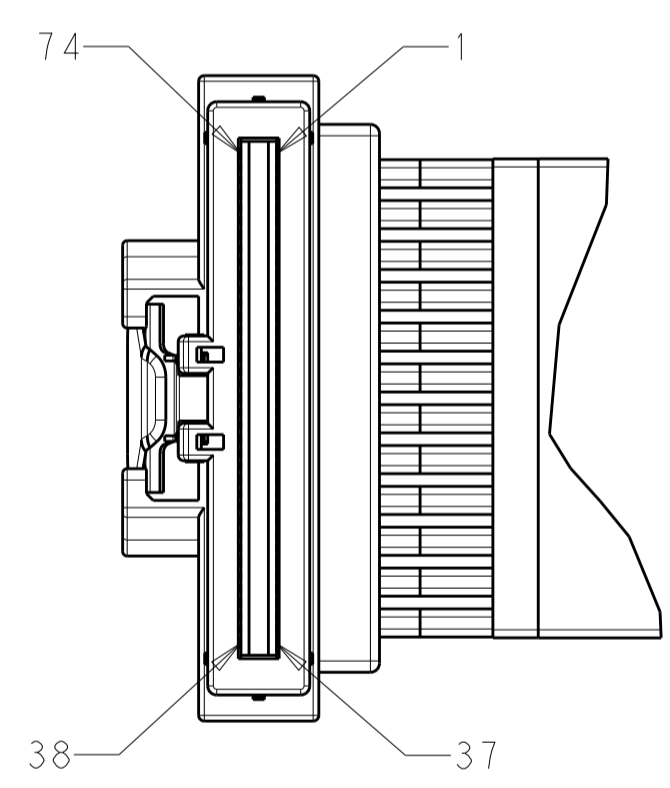
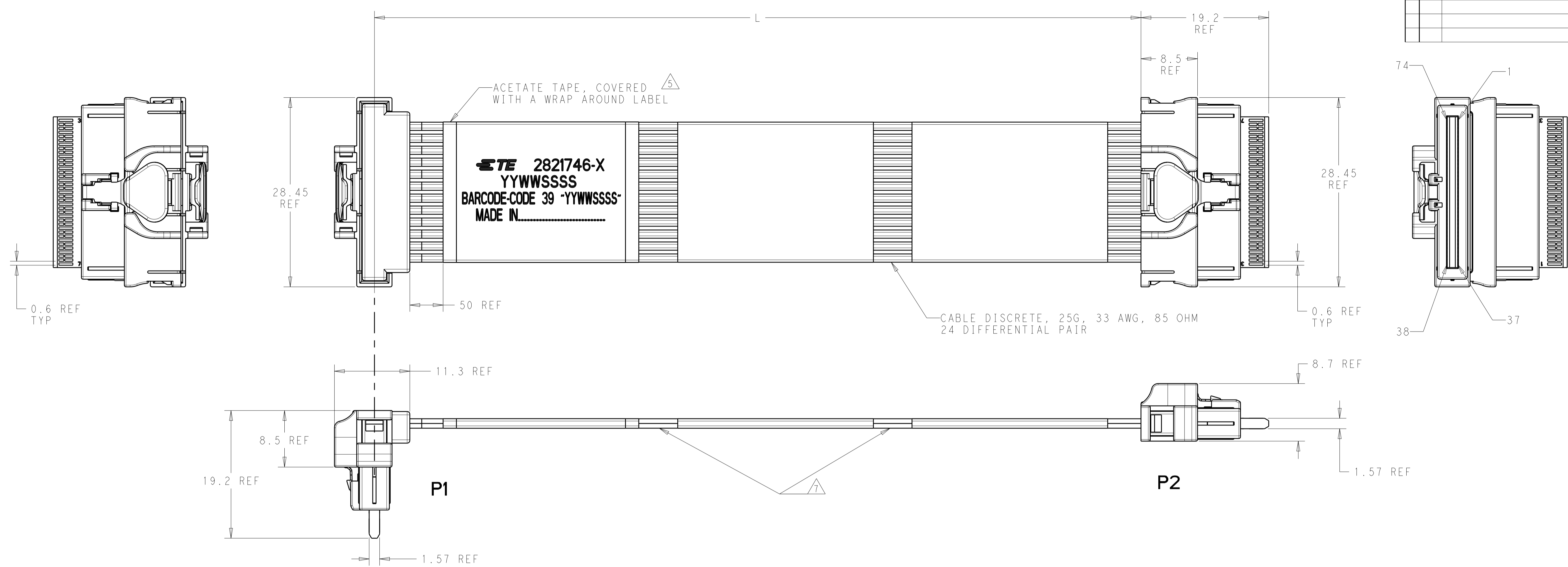


REVISIONS				
P	LTN	DESCRIPTION	DATE	APVD
A		INITIAL RELEASE ECO-18-006327	23APR2018	JR GG



1. CABLE ASSEMBLY TO BE TESTED FOR OPENS, SHORTS AND WIRING MAPPING. CABLES ARE ALSO TO BE TESTED FOR SIGNAL INTEGRITY. 10% OF PRODUCT TO BE TESTED FOR SIGNAL INTEGRITY.
2. ALL MATERIALS, COMPONENTS AND PROCESS SHALL COMPLY WITH TEC-138-702. (CONTAINS NO BANNED OR RESTRICTED SUBSTANCES).
3. SEE SHEET 2 FOR WIRING SCHEMATIC.
4. MINIMUM BEND RADIUS OF THE CABLE = R4.5mm IN THE CABLE THICKNESS AXIS ONLY. MIN BEND RADIUS DOES NOT APPLY TO CABLE BENT IN THE WIDTH AXIS.

△ LABEL INFORMATION:



6. CABLE ASSEMBLIES ARE INDIVIDUALLY PACKAGED IN A CLEAR PLASTIC TUBE, SEALED ON BOTH ENDS.
- △ CABLE TO HAVE UP TO A 20MM DIFFERENCE IN BUNDLE OR SECTION HEIGHT, MEASURED FROM A TABLE OR OTHER FLAT SURFACE TO OUTERMOST SECTION OF RAW CABLE. THIS DIMENSION APPLIES BETWEEN LABEL AND NEXT CLOSEST SECTION OF TAPE OR CONNECTOR. CABLE ASSEMBLY IS STILL TO CONFORM TO LENGTH DIMENSION AND TOLERANCE.
8. NO REACH SvHC SHALL BE CONTAINED ABOVE THE THRESHOLD AS DEFINED IN REACH SvHC COMPLIANCE DEFINITION IN ANNEX A OF TEC-138-702.

1000±25	2821746-2
500±25	2821746-1
L	PART NO

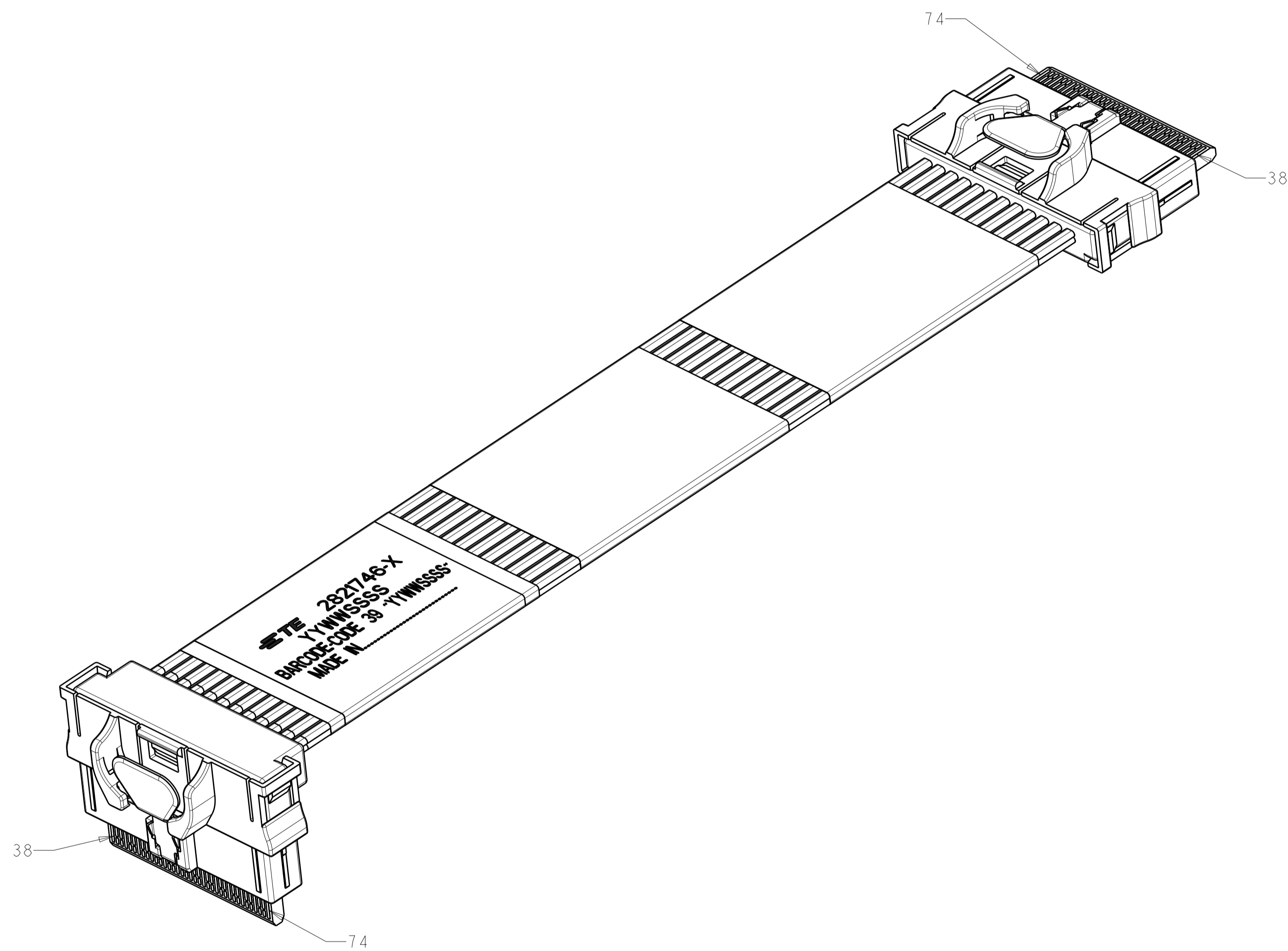
THIS DRAWING IS A CONTROLLED DOCUMENT.		OWN J.G. BUSHEY 30JAN2017	
DIMENSIONS: mm		CHK G. GUTGOLD 15AUG2016	
TOLERANCES UNLESS OTHERWISE SPECIFIED:		APVD G. GUTGOLD 15AUG2016	NAME CABLE ASSEMBLY, SLIVER 74 POSITION, 85 OHM, R/A TO STR
0 PLC ±	1 PLC ±	PRODUCT SPEC	SIZE A1
2 PLC ±	3 PLC ±	APPLICATION SPEC	CAGE CODE -
4 PLC ±	ANGLES ±	WEIGHT	DRAWING NO C=2821746
MATERIAL	FINISH	CUSTOMER DRAWING	RESTRICTED TO
SCALE 3:1			SHEET 1 OF 2
			REV A

REVISIONS				
P.	LTN	DESCRIPTION	DATE	APVD
-	-	SEE SHEET 1	-	-

P1			P2	
GND	1	↔	37	GND
TX1 P	2	↔	36	RX1 P
TX1 N	3	↔	35	RX1 N
GND	4	↔	34	GND
TX2 P	5	↔	33	RX2 P
TX2 N	6	↔	32	RX2 N
GND	7	↔	31	GND
TX3 P	8	↔	30	RX3 P
TX3 N	9	↔	29	RX3 N
GND	10	↔	28	GND
TX4 P	11	↔	27	RX4 P
TX4 N	12	↔	26	RX4 N
GND	13	↔	25	GND
TX5 P	14	↔	24	RX5 P
TX5 N	15	↔	23	RX5 N
GND	16	↔	22	GND
LOW SPEED	17	↔	21	LOW SPEED
LOW SPEED	18	↔	22	LOW SPEED
GND	19	↔	19	GND
POWER	20	↔	18	POWER
POWER	21	↔	17	POWER
GND	22	↔	16	GND
RX5 N	23	↔	15	TX5 N
RX5 P	24	↔	14	TX5 P
GND	25	↔	13	GND
RX4 N	26	↔	12	TX4 N
RX4 P	27	↔	11	TX4 P
GND	28	↔	10	GND
RX3 N	29	↔	9	TX3 N
RX3 P	30	↔	8	TX3 P
GND	31	↔	7	GND
RX2 N	32	↔	6	TX2 N
RX2 P	33	↔	5	TX2 P
GND	34	↔	4	GND
RX1 N	35	↔	3	TX1 N
RX1 P	36	↔	2	TX1 P
GND	37	↔	1	GND

P1			P2	
GND	38	↔	74	GND
RX6 P	39	↔	73	TX6 P
RX6 N	40	↔	72	TX6 N
GND	41	↔	71	GND
RX7 P	42	↔	70	TX7 P
RX7 N	43	↔	69	TX7 N
GND	44	↔	68	GND
RX8 P	45	↔	67	TX8 P
RX8 N	46	↔	66	TX8 N
GND	47	↔	65	GND
RX9 P	48	↔	64	TX9 P
RX9 N	49	↔	63	TX9 N
GND	50	↔	62	GND
RX10 P	51	↔	61	TX10 P
RX10 N	52	↔	60	TX10 N
GND	53	↔	59	GND
LOW SPEED	54	↔	58	LOW SPEED
LOW SPEED	55	↔	57	LOW SPEED
GND	56	↔	56	GND
POWER	57	↔	55	POWER
POWER	58	↔	54	POWER
GND	59	↔	53	GND
TX10 N	60	↔	52	RX10 N
TX10 P	61	↔	51	RX10 P
GND	62	↔	50	GND
TX9 N	63	↔	49	RX9 N
TX9 P	64	↔	48	RX9 P
GND	65	↔	47	GND
TX8 N	66	↔	46	RX8 N
TX8 P	67	↔	45	RX8 P
GND	68	↔	44	GND
TX7 N	69	↔	43	RX7 N
TX7 P	70	↔	42	RX7 P
GND	71	↔	41	GND
TX6 N	72	↔	40	RX6 N
TX6 P	73	↔	39	RX6 P
GND	74	↔	38	GND

WIRING MAPPING



THIS DRAWING IS A CONTROLLED DOCUMENT.		DWN: J.G. BUSHEY 30JAN2017 CHK: G. GUTGOLD 15AUG2016 APVD: G. GUTGOLD 15AUG2016	
DIMENSIONS: mm 	TOLERANCES UNLESS OTHERWISE SPECIFIED: 0 PLC ± 1 PLC ± 2 PLC ± 3 PLC ± 4 PLC ± ANGLES ±0.5	NAME: CABLE ASSEMBLY, SLIVER 74 POSITION, 85 OHM, R/A TO STR SIZE: A1 CAGE CODE: C=2821746 DRAWING NO: 2821746	
MATERIAL: -	FINISH: -	WEIGHT: -	CUSTOMER DRAWING SCALE: 3:1 SHEET 2 OF 2 REV A