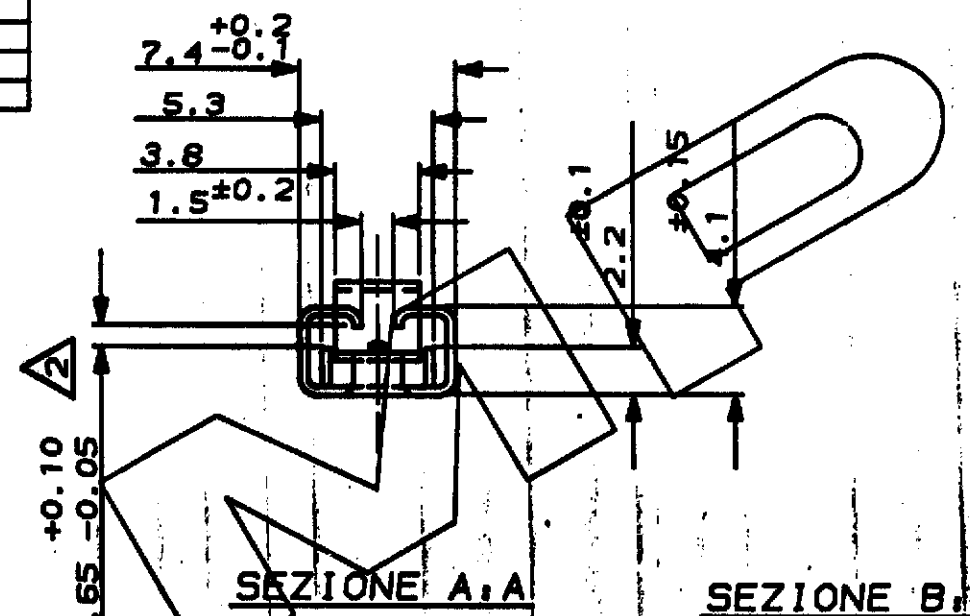
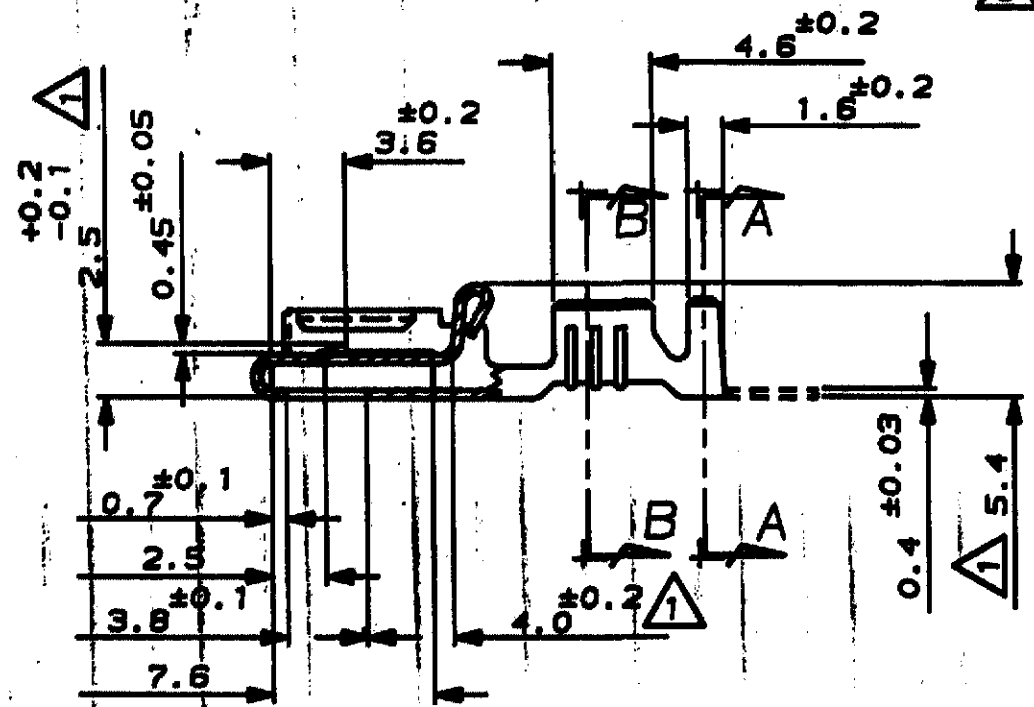


SCALA NON IMPERATIVA
(DO NOT SCALE)
DIMENSIONI IN
DIMENSIONI IN MM

METRIC

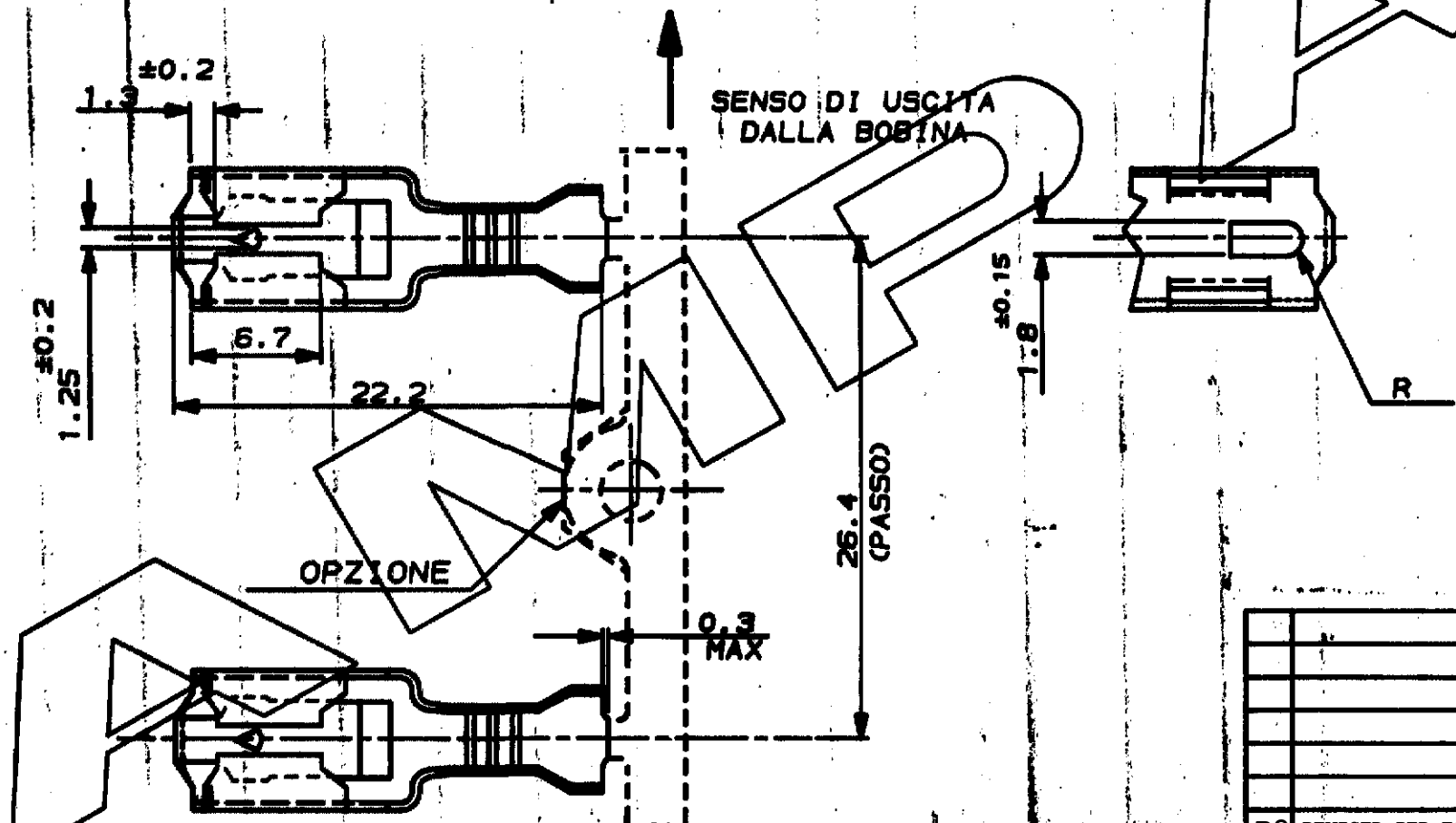
PROIEZIONE EUROPEA
EUROPEAN PROJECTION

(WIRE) SEZ. FILO	(INS. DIA. STD) Ø ISOL. STD	(INS. DIA. REDUCED) Ø IS. RID. FASE 3
0.50	---	1.5-1.7
0.75	---	1.7-1.9
1.0	---	1.9-2.1
1.5	---	2.2-2.4



SEZIONE A-A

SEZIONE B-B



- NOTE:
- 1 DA MISURARSI CON LA MOLLA IN POSIZIONE ORIZZONTALE
 - 2 ADATTO PER TERMINALE MASCHIO CON FORO, SECONDO TABELLA FIAT 91319 FOGLIO 2 (TIPO A)
 - 3 PRELIMINARY: C27400 AS ALTERNATIVE MATERIAL FOR 282167-1
 - 4 ONLY WELDED SPLICES ALLOWED

PRE-STAGNATO	BRONZO FDSF.S0	282167-3
STAGNATO	OTTONE OT 70	282167-1
PINTURA / COLORE (FINISH / COLOUR)	MATERIALE (MATERIAL)	NUMERO (PART NUMBER)

CUSTOMER DWG. FOR REFERENCE ONLY DISEGNO PER CLIENTE SOLO PER RIFERIMENTO

THIS DRAWING IS UNPUBLISHED RELEASE FOR PUBLICATION 18

© COPYRIGHT 1990 BY AMP INCORPORATED, MORTONSBURG, PA. ALL INTERNATIONAL RIGHT RESERVED AND PRODUCTS MAY BE COVERED BY U.S. AND FOREIGN PATENT AND/OR PATENT PENDING. TOLLERANZE, SE NON DIVERSAMENTE SPECIFICATE

B2	REVISED PER ECR-20-12400	SS	24SEP 2020
B1	ECR-15-008926	KY	28MAY19
	282167-3 - ECR-1-3048	C.I.	27SEP 1992
	RELEASED FOR PROD. P/N		
	RELEASED PER ECR-1-1187	C.I.	27SEP 1992
1	AGGIUNTO P/N 282167-3	C.I.	1992
	ERA 90-81125		
	REVISIONI		
	REVISIONI		

1.5-2.4 DIA 0.5-1.5mm²

TE TE Connectivity

POSITIVE LOCK REC.

As C-282167 B2