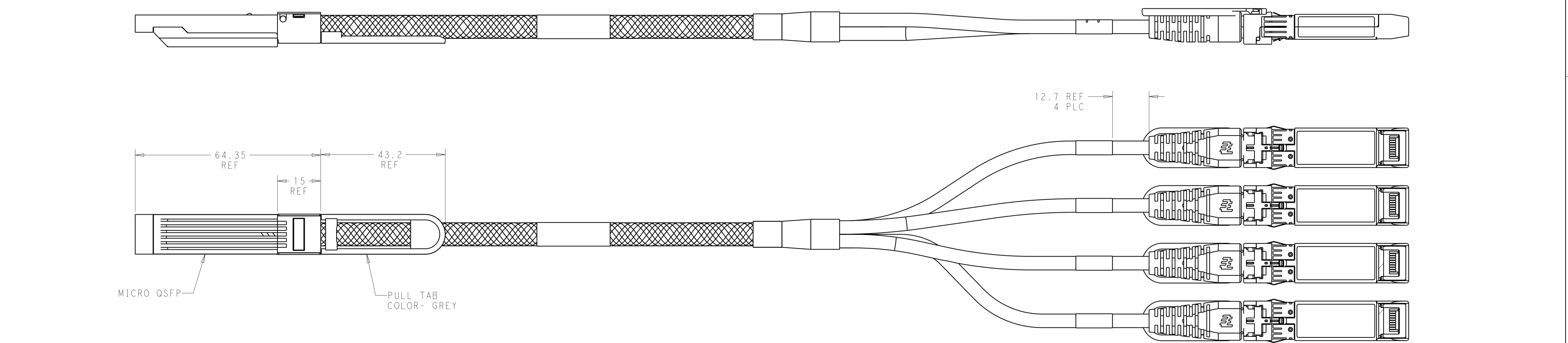
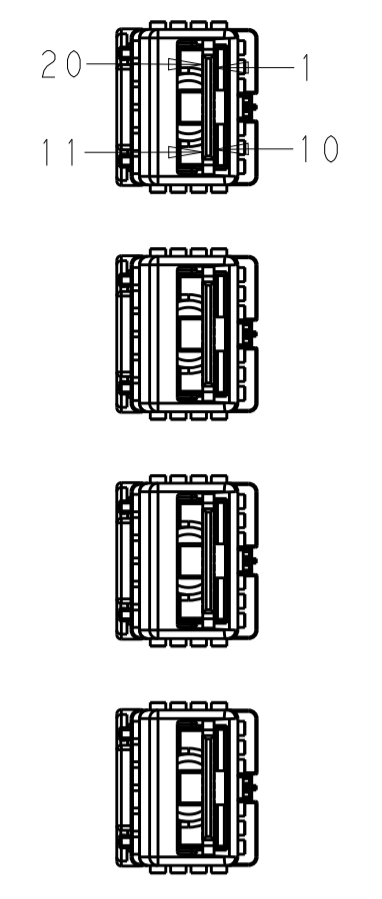
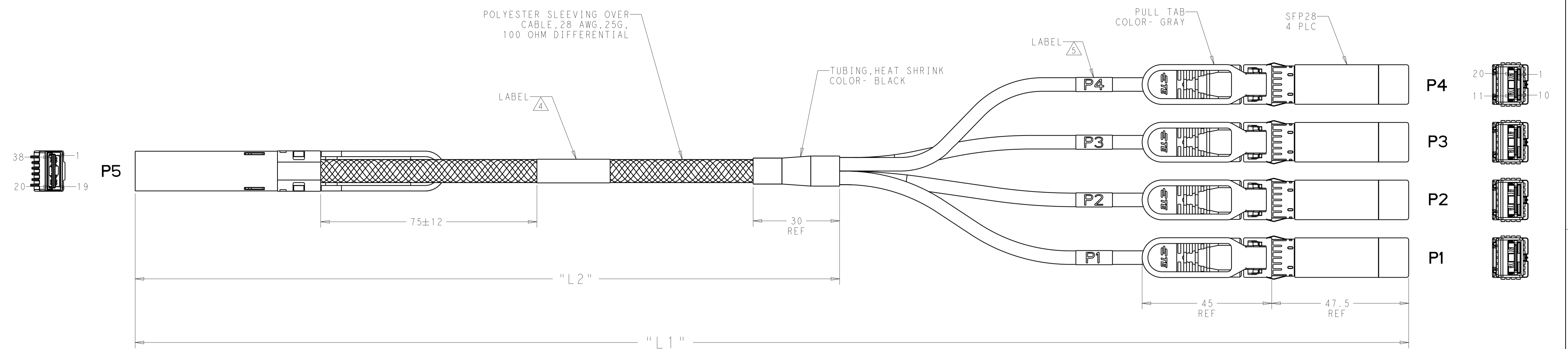


REVISIONS				
P	LTN	DESCRIPTION	DATE	OWN APVD
1		PRELIMINARY	12APR2016	TS GF



1500±25	4000±40	28 AWG	2821645-5
1000±25	3000±40	28 AWG	2821645-4
700±25	2000±40	28 AWG	2821645-3
330±25	1000±40	28 AWG	2821645-2
—	500±25	28 AWG	2821645-1
L2	L1	WIRE GAGE	PART NO

**THIS PRODUCT HAS NOT COMPLETED VALIDATION AND QUALIFICATION TESTING**

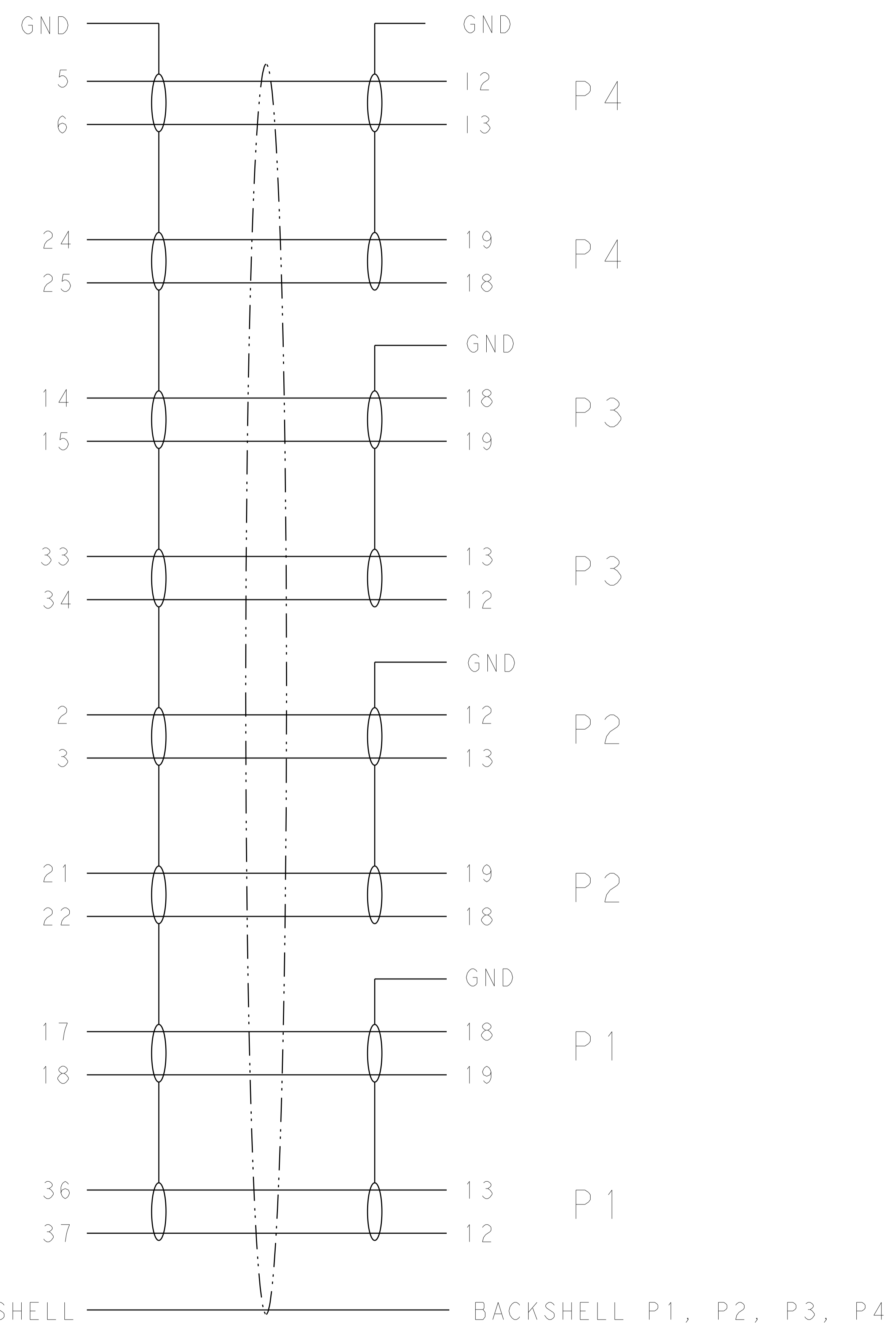
**PRELIMINARY NOT RELEASED FOR PRODUCTION**

THIS DRAWING IS A CONTROLLED DOCUMENT.

DIMENSIONS:	TOLERANCES UNLESS OTHERWISE SPECIFIED:	OWN T. SMITH 12APR2016	CHK G. FRANKLIN 12APR2016	APVD G. FRANKLIN 12APR2016	NAME CABLE ASSEMBLY, MICRO QSFP TO (4) SFP28 28 AWG
mm	0 PLC ±	TE Connectivity		PRODUCT SPEC	SIZE A1
	1 PLC ±	CAGE CODE DRAWING NO		APPLICATION SPEC	RESTRICTED TO
	2 PLC ±	SCALE 3:2		WEIGHT	SHEET 1 OF 2
	3 PLC ±	C=2821645		ANGLES	REV 1
	4 PLC ±	CUSTOMER DRAWING		FINISH	

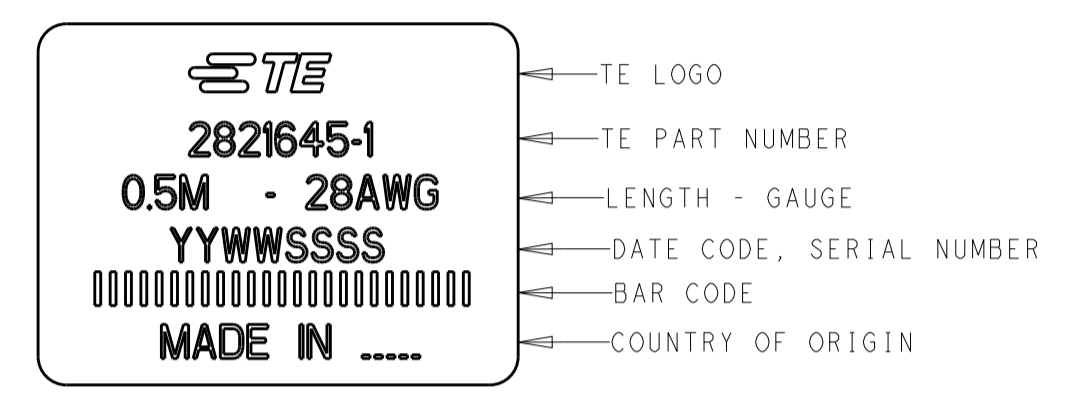
REVISIONS				
P.	LTN	DESCRIPTION	DATE	APVD
		SEE SHEET 1		

P 5



- CHARACTERISTIC IMPEDANCE: 100±10 OHMS (MEASURED DIFFERENTIALLY)
- CABLE ASSEMBLY TESTED FOR OPENS, SHORTS AND PROPER EEPROM PROGRAM.
- PRODUCT AND PROCESSING MEETS THE REQUIREMENTS OF TE STANDARD TEC-138-702.

△ LABEL INFORMATION: -1 SHOWN



△ LABEL INFORMATION:



THIS DRAWING IS A CONTROLLED DOCUMENT.		DWN T. SMITH 12APR2016 CHK G. FRANKLIN 12APR2016 APVD G. FRANKLIN 12APR2016			
DIMENSIONS: mm 		TOLERANCES UNLESS OTHERWISE SPECIFIED: 0 PLC ± 1 PLC ± 2 PLC ± 3 PLC ± 4 PLC ± ANGLES ± FINISH		NAME: CABLE ASSEMBLY, MICRO QSFP TO (4) SFP28 28 AWG PRODUCT SPEC: APPLICATION SPEC: SIZE: A1 CAGE CODE: DRAWING NO: C=2821645 RESTRICTED TO:	
MATERIAL:		WEIGHT:		CUSTOMER DRAWING SCALE: 3:2 SHEET 2 OF 2 REV 1	