

THIS DRAWING IS UNPUBLISHED.

RELEASED FOR PUBLICATION

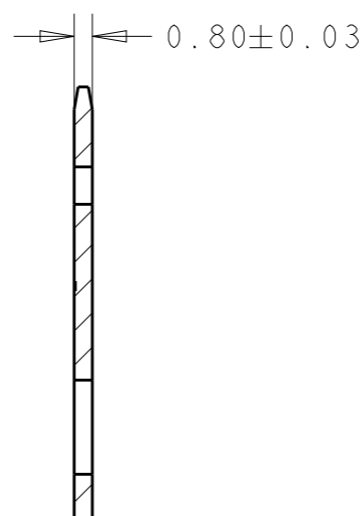
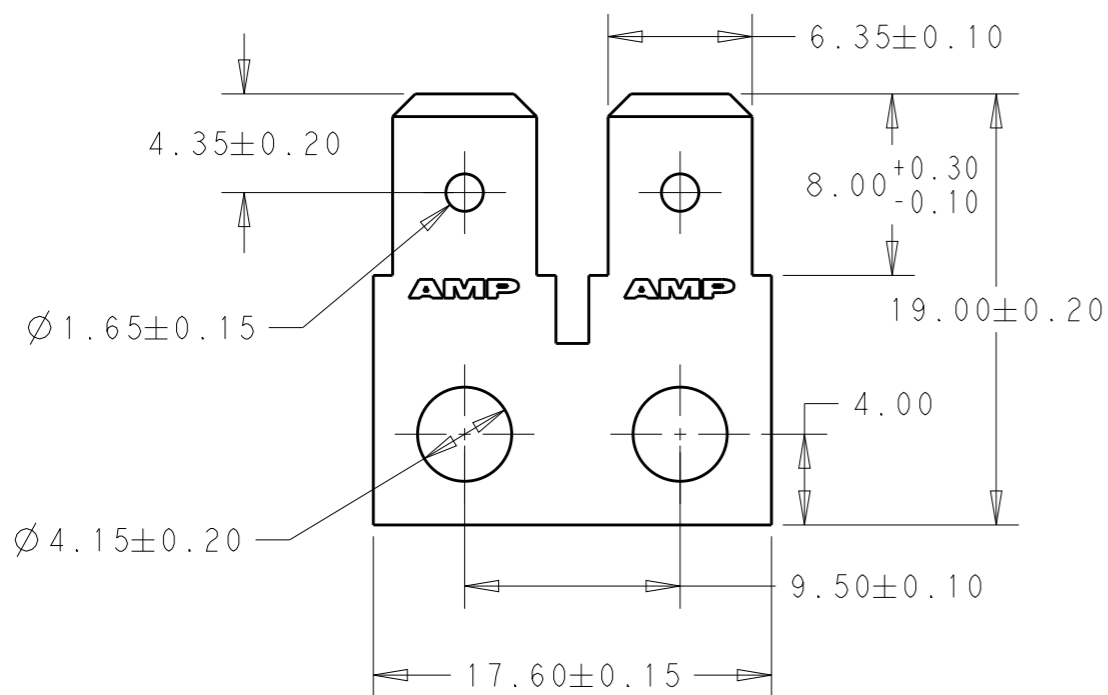
20

© COPYRIGHT 20 BY -

ALL RIGHTS RESERVED.

REVISIONS

P	LTR	DESCRIPTION	DATE	DWN	APVD
	A	REV PER ECO -15-006995	08MAY2015	JR	DH
	A1	PER ECR-15-010724	17JUL2015	L.P	T.D



SECTION A - A

1 PARTS ARE SUPPLIED IN LOOSE PIECE, SEE TABLE.

LOOSE PIECE VERSION
282051-2 ONLY

LOOSE PIECE	TIN PLATE	BRASS	282051-2
FORM TYPE	FINISH	MATERIAL	PART NO.

THIS DRAWING IS A CONTROLLED DOCUMENT.		DWN JR RUTH 17-Jul-15	STE TE Connectivity	
DIMENSIONS: mm		CHK DAVE HUMPHREY 08MAY15		
TOLERANCES UNLESS OTHERWISE SPECIFIED:		APVD DAVE HUMPHREY 08MAY15	NAME FASTON TAB 6.35 SERIES,	
0 PLC ±-		PRODUCT SPEC	-	
1 PLC ±0.3		APPLICATION SPEC	-	
2 PLC ±0.30		WEIGHT	-	
3 PLC ±-		Customer Drawing	SIZE A3	CAGE CODE 00779
4 PLC ±-			DRAWING NO C-282051	RESTRICTED TO
ANGLES ±-				
FINISH SEE TABLE			SCALE 1:1	SHEET 1 OF 1
MATERIAL SEE TABLE				REV A1