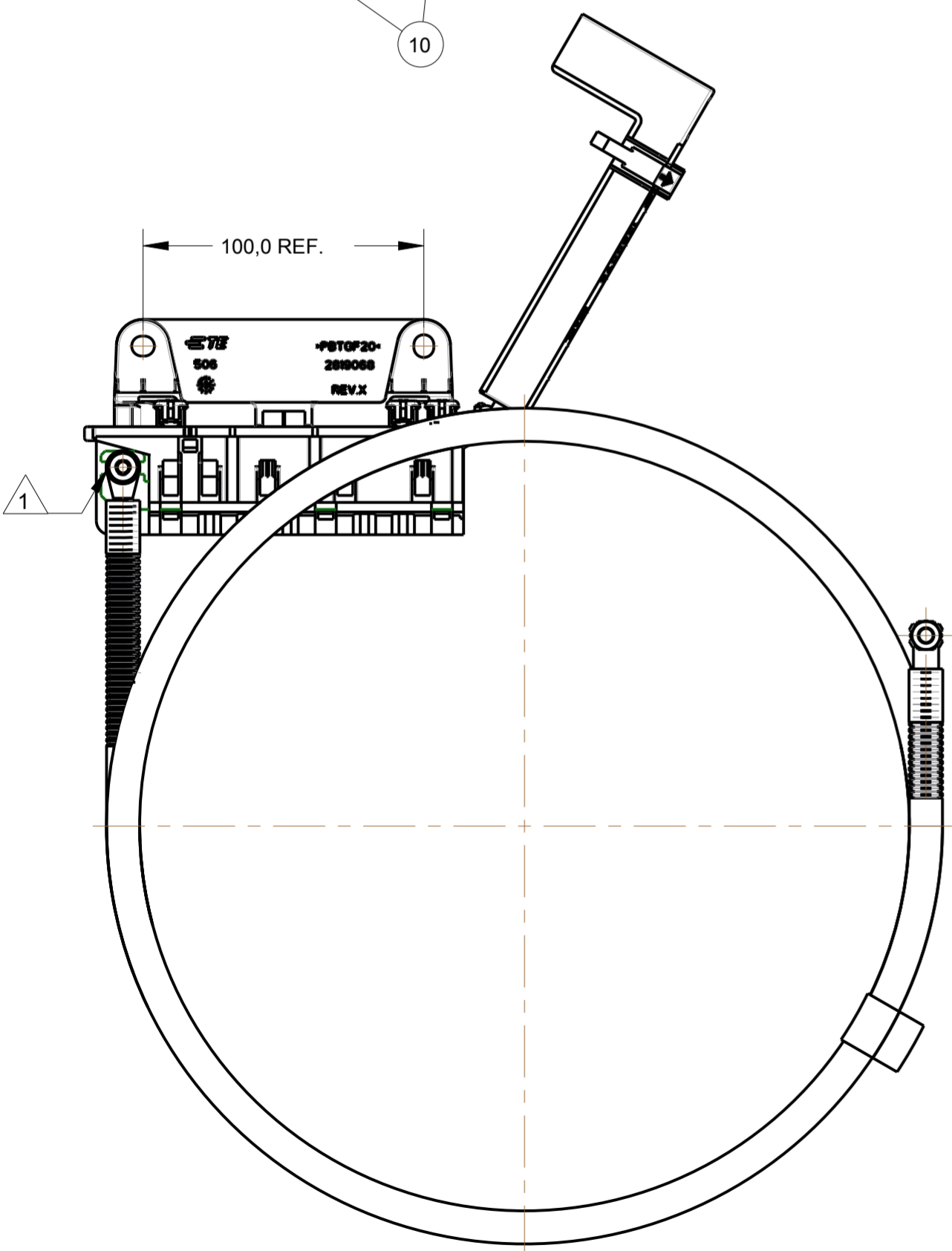
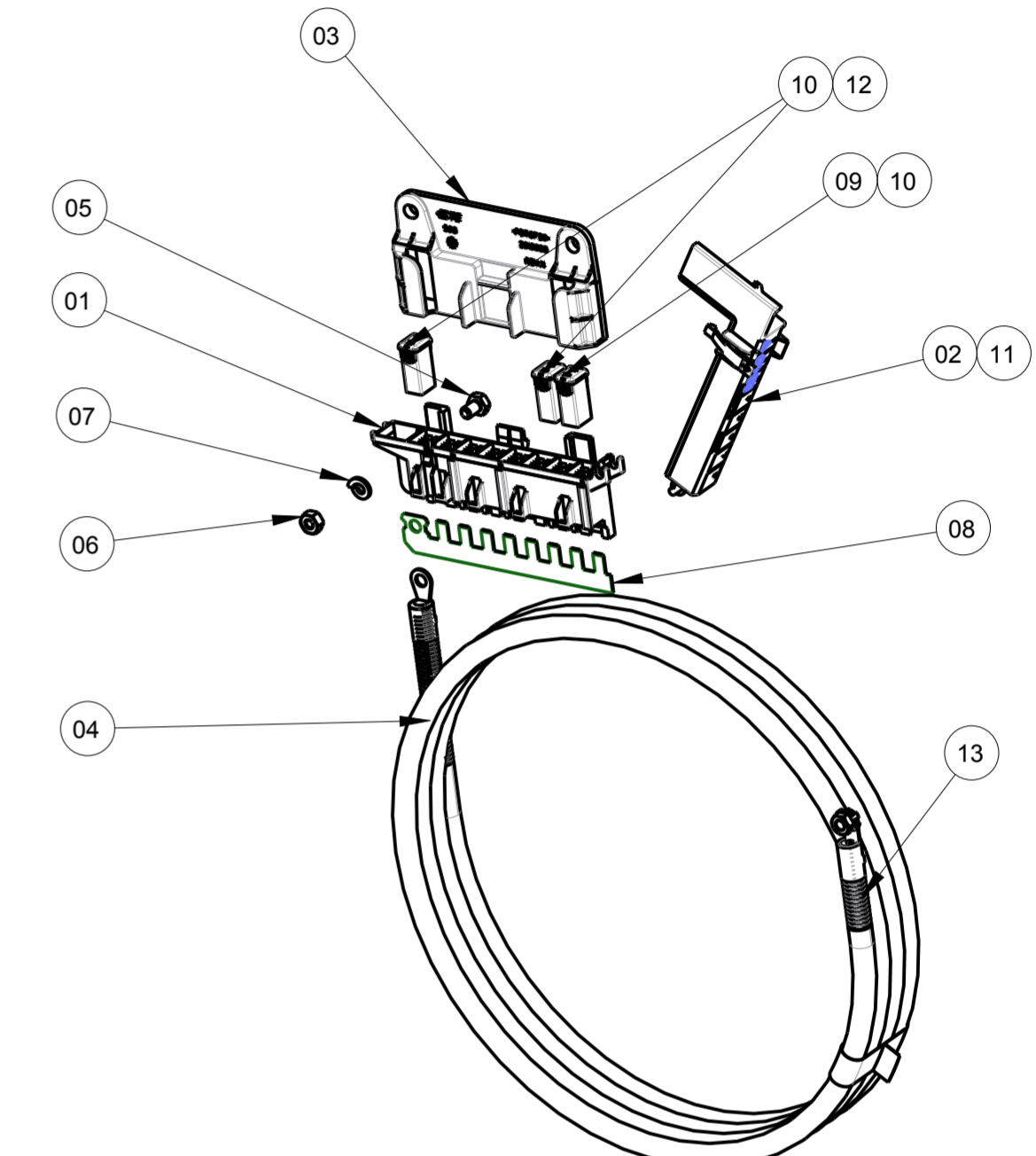
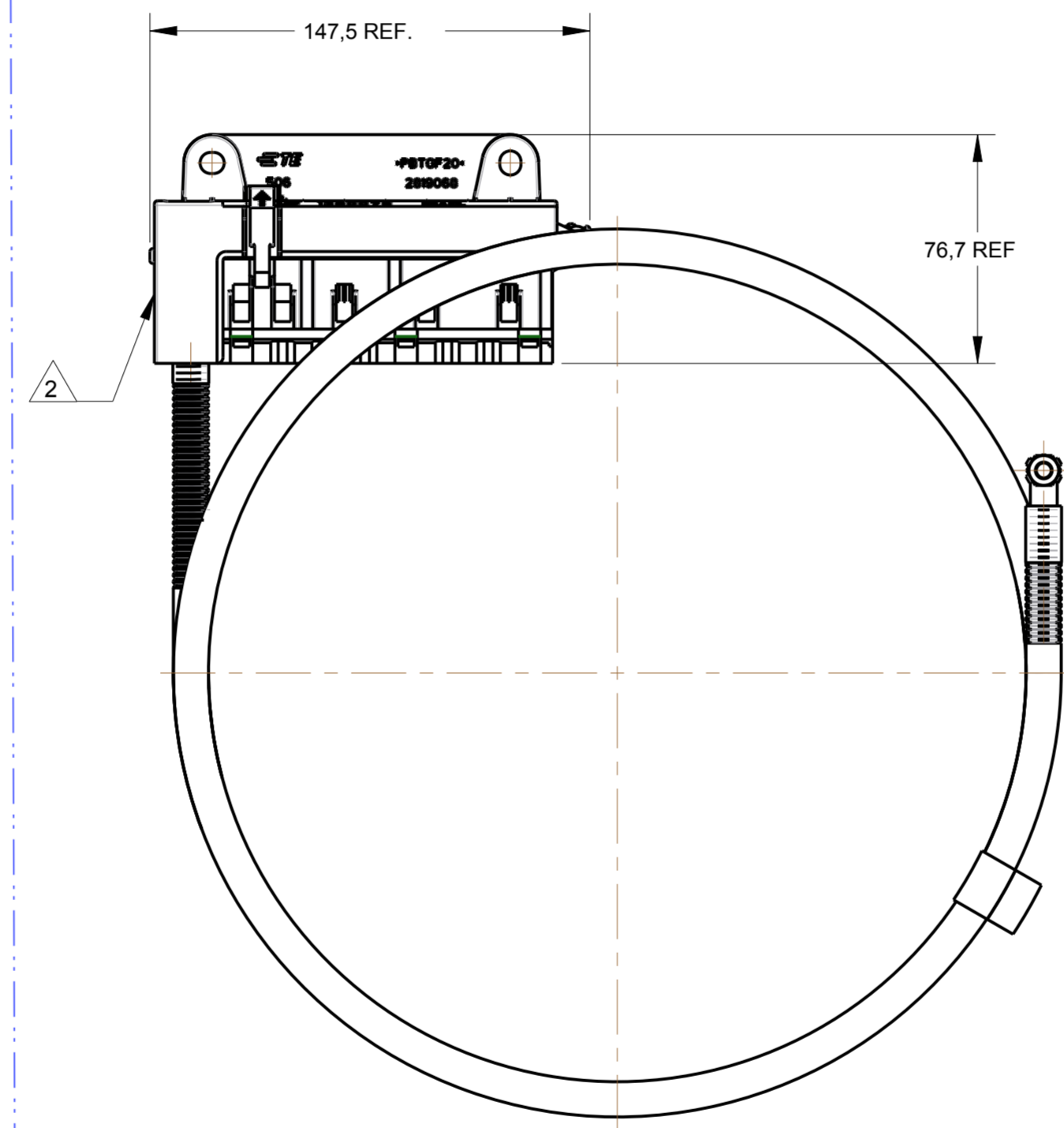
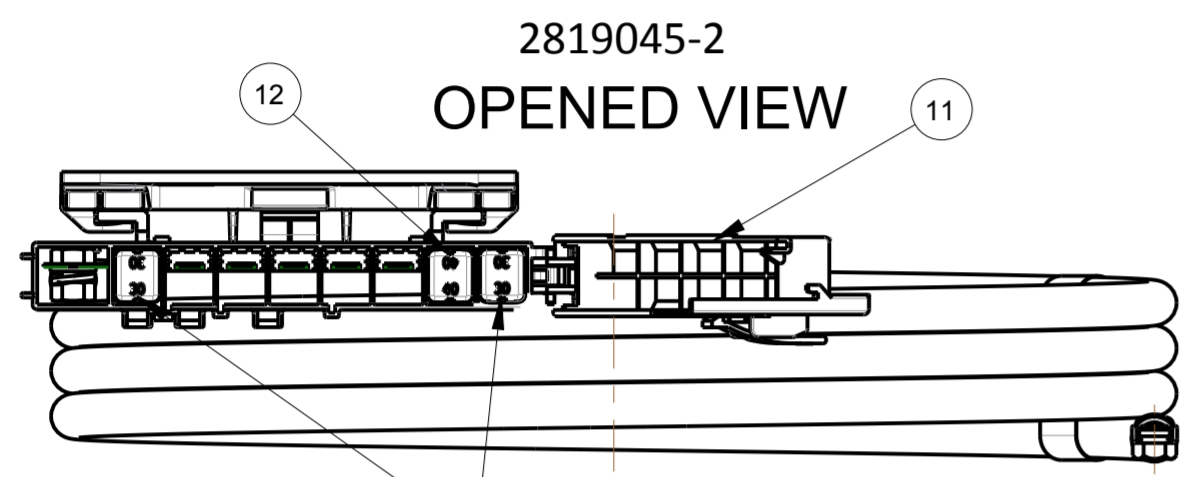
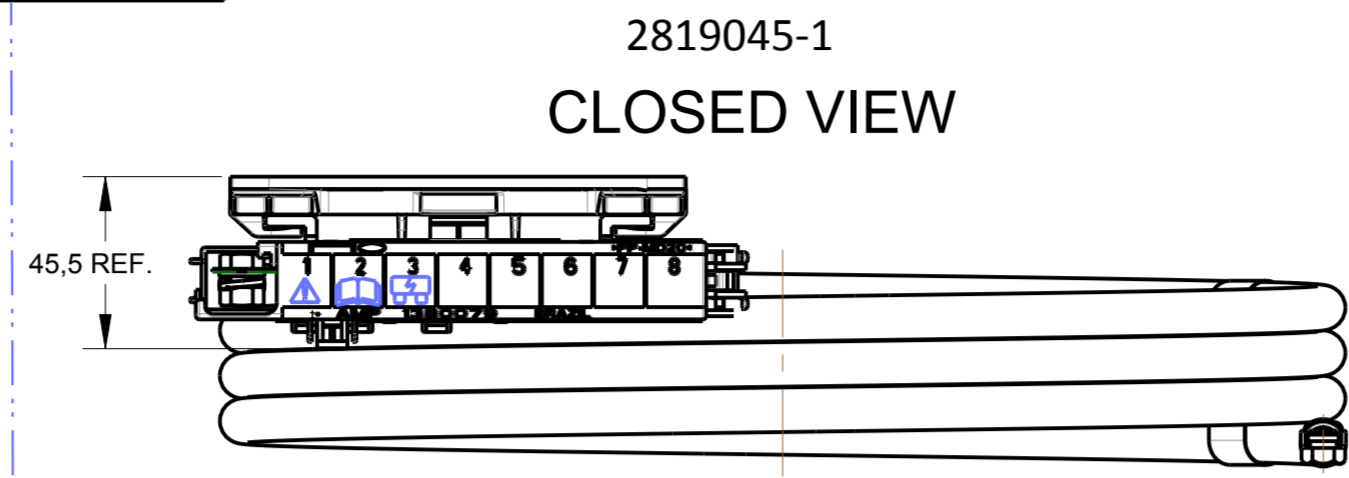
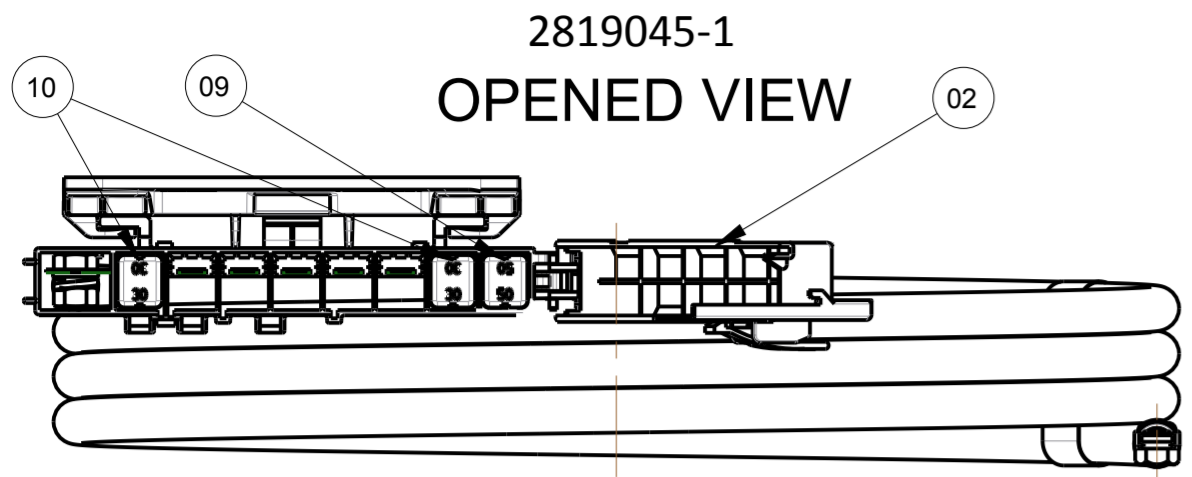


**creo**  
 Creo Parametric 2.0  
 DO NOT REVISE  
 EXCEPT BY CAD

REVISIONS				
P	LTR	DESCRIPTION	DATE	APVD
B1		REVISED DRAWING ECO-18-010917	13SEP2018	NCL JMN



REQ. PER ASSY	ITEM	DESCRIPTION	MATERIAL	FINISH
	13	HEAT SHRINKABLE TUBING - RBK-ILS-125-NR4		27mm LENGTH
	12	JCASE FUSE 40 A		
	11	COVER 8POSN MAXI FUSE BOX	PP + 20% MD	VERMELHO / RED
	10	JCASE FUSE 30 A		
	9	JCASE FUSE 50 A		
	8	BUSBAR 8POSN JCASE MAXI FUSE	COOPER ALLOY	TIN PLATED
	7	WASHER SPRING LOCK M6	SPRING STEEL	ZINC PLATE YELLOW CHROM.
	6	NUT M6	CARBON STEEL	ZINC PLATE YELLOW CHROM.
	5	SCREW M6x10	CARBON STEEL	ZINC PLATE YELLOW CHROM.
	4	LEAD ASSY 10mm2		
	3	BRACKET	PBT + 20%GF	PRETO_BLACK
	2	COVER 8POSN MAXI FUSE BOX	PP + 20% MD	PRETO / BLACK
	1	HOUSING 8POSN MAXI FUSE BOX	PBT + 10% GF	PRETO / BLACK

- SC 1 - TORQUE NA PORCA DE RETENCAO: 5,0-7,0 Nm  
ASSEMBLY TORQUE ON RETENTION NUT: 5,0-7,0 Nm
- SC 2 - COVER DEVERÁ SER FORNECIDO FECHADO  
COVER MUST BE SUPPLIED CLOSED.
- 3 - DEVE SER CONTROLADO 100% A CONTINUIDADE ELÉTRICA E PRESENÇA DOS COMPONENTES  
- MUST BE CONTROLLED 100% THE ELECTRICAL CONTINUITY AND PRESENCE OF THE COMPONENTS

THIS DRAWING IS A CONTROLLED DOCUMENT.

DWN: 06JAN2014  
 E.CHRISTIANO  
 CHK: 06JAN2014  
 M.OGAWA  
 APVD: 06JAN2014  
 N.SANTOS

TE Connectivity

NAME: MAXI\_FUSE\_BOX\_ASSY

SIZE: A2 CAGE CODE: - DRAWING NO: 2819045 RESTRICTED TO: -

Customer Drawing SCALE: 3:10 SHEET 1 OF 1 REV: B1