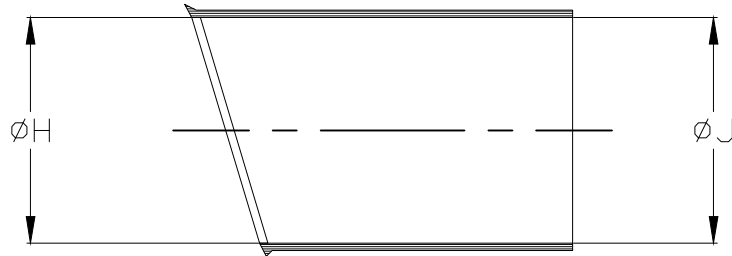
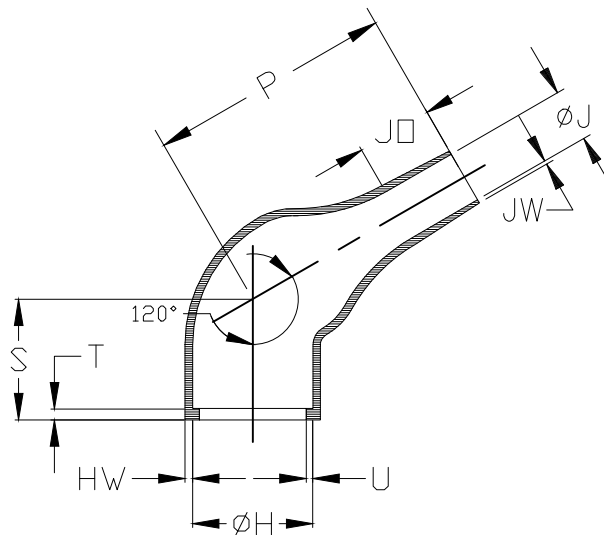


REVISIONS				
P	LTR	DESCRIPTION	DATE	APVD
	2	PRODUCTION ISSUE	04FEB2019	PNT MT

a) Part as supplied




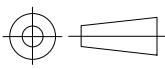
b) Part after unrestricted recovery



DIMENSIONS TABLE

PART No.	H		J		P	S	T	U	JØ	HW	JW
	Min	Max	Min	Max	$\pm 10\%$	$\pm 10\%$	$\pm 10\%$	$\pm 10\%$	$\pm 10\%$	$\pm 20\%$	$\pm 20\%$
	a	b	a	b	b	b	b	b	b	b	b
263W042	60 [2.36]	33.8 [1.33]	60 [2.36]	14.8 [.58]	65 [2.56]	32 [1.26]	3.0 [.12]	1.8 [.07]	18 [.70]	2.0 [.08]	1.0 [.039]

THIS DRAWING IS UNPUBLISHED. ALL RIGHTS RESERVED. © COPYRIGHT - TE Connectivity Ltd.

DIMENSIONS: mm [INCHES]	DWN	04FEB2019	MATERIAL	SEE SHEET 2	FINISH	-		
	PRAVEEN N T	04FEB2019	CHK	N NAGAR	 TE Connectivity Ltd.			
TOLERANCES UNLESS OTHERWISE SPECIFIED:	APVD	04FEB2019	APVD	M TAYLOR				
	0 PLC	$\pm -$	PRODUCT SPEC	-	NAME	30 DEGREE BOOT		
1 PLC	$\pm -$	APPLICATION SPEC	SIZE	A4	CAGE CODE	00779		
2 PLC	$\pm -$		DRAWING NO	G-263W042-XX-0		RESTRICTED TO	-	
3 PLC	$\pm -$	WEIGHT	CUSTOMER DRAWING			SCALE	DNS	
4 PLC	$\pm -$		SHEET			1 of 2	REV	2
ANGLES	$\pm -$		SCALE			DNS	REV	

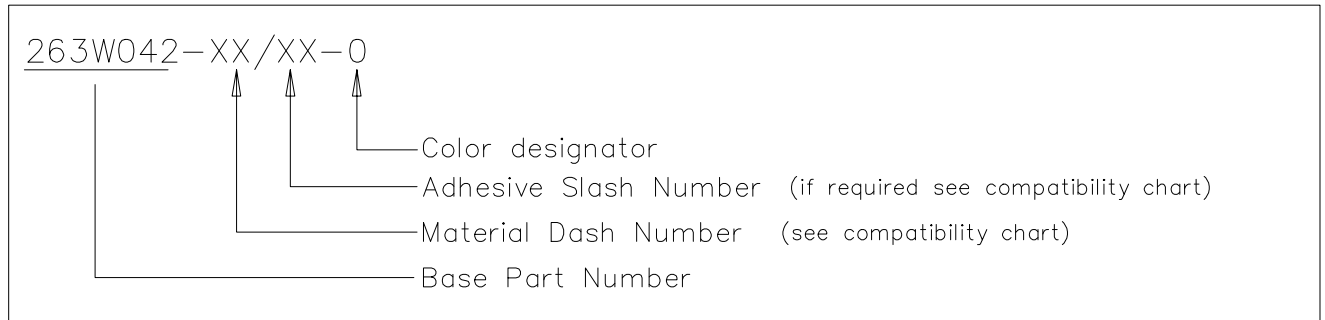
REVISIONS

P	LTR	DESCRIPTION	DATE	DWN	APVD
	-	SEE SHEET 1	-	-	-

COMPATIBILITY CHART

Material Dash Number	Material Description	RT Spec	Coating Slash No.	Coating S No.
-3	POLYOLEFIN, SEMI-RIGID	RT-301	/42, /86, /180	S1017; S1048; S1030
-4	POLYOLEFIN, FLEXIBLE	RT-1304	/42, /86, /180	S1017; S1048; S1030
-25	ELASTOMER, FLUID RESISTANT	RW-2070	/42, /86, /225	S1017; S1048; S1206

Ordering Information



NOTES

- As supplied dimensions are for uncoated parts, when coating is added entry diameters will reduce by 1.5mm[.06] Max.

RELEASED FOR PUBLICATION

ALL RIGHTS RESERVED.

THIS DRAWING IS UNPUBLISHED.

© COPYRIGHT - TE Connectivity Ltd.

DIMENSIONS: mm [INCHES]	DWN PRAVEEN N T	04FEB2019	MATERIAL	-	FINISH	-
	CHK N NAGAR	04FEB2019	TE Connectivity Ltd.			
TOLERANCES UNLESS OTHERWISE SPECIFIED:	APVD M TAYLOR	04FEB2019				
0 PLC ± -	PRODUCT SPEC	-	NAME	30 DEGREE BOOT		
1 PLC ± -	APPLICATION SPEC	-	SIZE	CAGE CODE	DRAWING NO	RESTRICTED TO
2 PLC ± -			A4	00779	Ⓒ-263W042-XX-0	-
3 PLC ± -	WEIGHT		CUSTOMER DRAWING			
4 PLC ± -			SCALE	DNS	SHEET	2 OF 2
ANGLES ± -					REV	2

