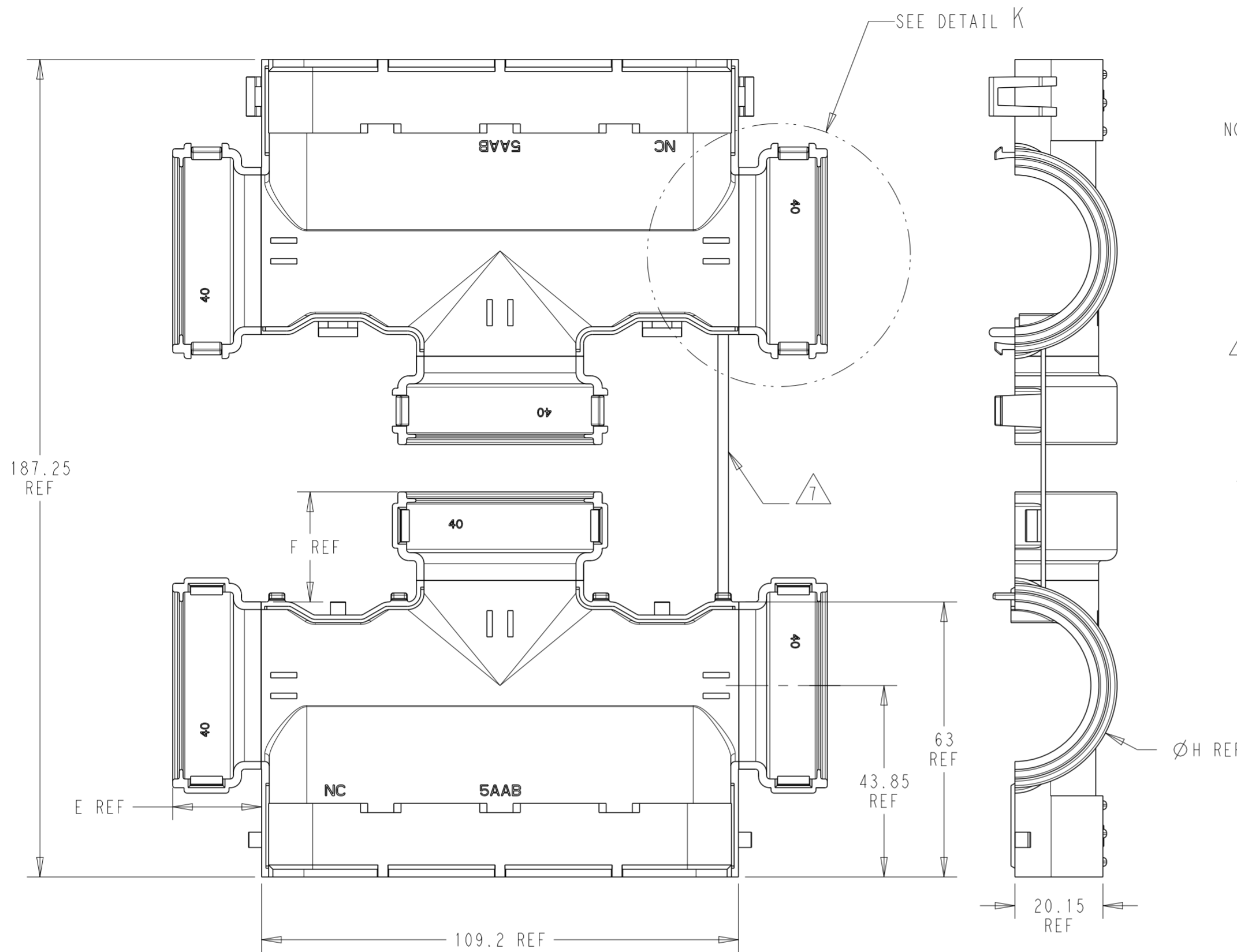
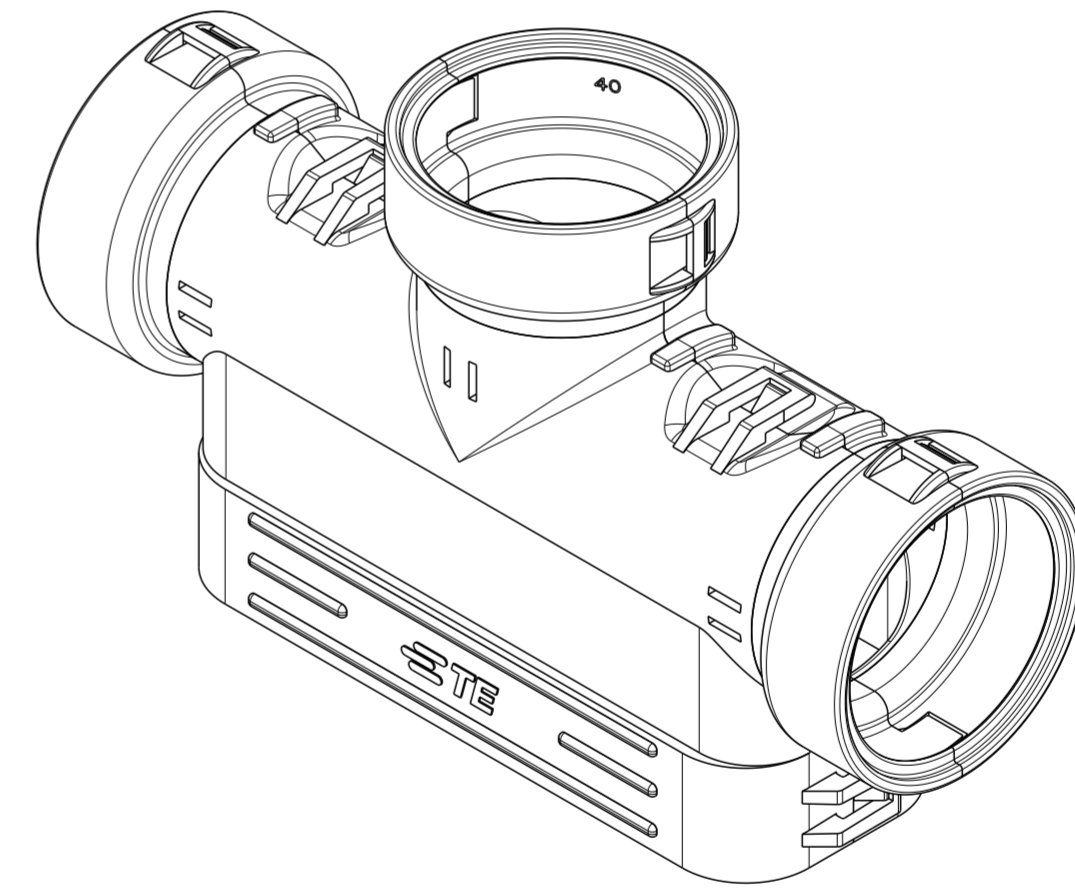


P	LTR	DESCRIPTION	DATE	DWN	APVD
	A1	INITIAL RELEASE	05AUG2020	MHS	MT

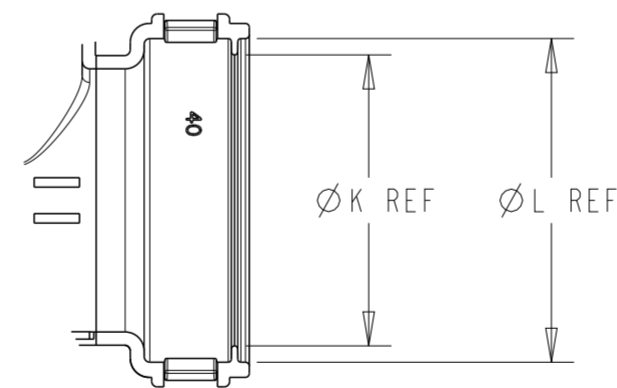


NOTES:

1. THIS SHEET SHOWS THE CONDUIT WITH A MALE CONNECTOR INTERFACE WITH ALL PORTS OPEN, AND ALL PORTS NC40 FEMALE.
2. MATERIAL: NYLON 66 (PA66), COLOUR: BLACK.
3. CONNECTOR INTERFACE: 0AAB-FEMALE, SEE TABLE 3, SHEET 2.
4. MATES WITH NC AND NW FORMAT CONDUIT, MALE INTERFACE MATES WITH MALE CONNECTOR SERIES; SEE TABLE 2, SHEET 2.
5. FOR DIMENSIONS SPECIFIED E, F, H, K AND L. PLEASE REFER TO TABLE 1, SHEET 1.
6. APPLICATION SPECIFICATION: TEC-114-160015.
7. FLEXIBLE MOULDED LANYARD BETWEEN PART HALVES, MAY BE REMOVED.
8. CONDUIT INTERFACE SHOULD ONLY BE USED WITH APPROPRIATE CONDUIT. TE CONNECTIVITY CANNOT BE HELD RESPONSIBLE IF CABLES ARE DAMAGED DUE TO IMPROPER USE OF CONDUIT INTERFACE, OR IF A CONDUIT INTERFACE IS USED WITHOUT THE CONDUIT.
9. CONDUIT INTERFACE IS IP3X WHEN USED WITH A FULLY ASSEMBLED SRC CONNECTOR AND APPROPRIATE CONDUIT.
10. PACKAGING SPECIFICATION: 107-160003-04



LANYARD NOT SHOWN IN MATED VIEW



DETAIL K
SCALE 1:1

TABLE 1
ALL DIMENSIONS GIVEN IN MILLIMETRES

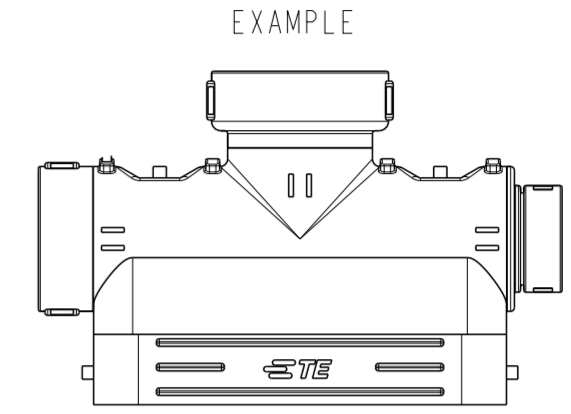
	NC28 MALE	NC28 FEMALE	NC32 FEMALE	NC40 FEMALE
E	14.7	14.6	14.6	20.35
F	19.5	19.45	19.45	25.2
H	28.2	32.1	38.3	46.8
K	N/A	25.0	31.5	38.5
L	N/A	28.6	34.8	42.8

THIS DRAWING IS A CONTROLLED DOCUMENT.		DWN MANOHAR H.S.	05AUG2020	TE Connectivity	
		CHK M. TRULL	05AUG2020		
		APVD M. TRULL	05AUG2020	NAME SRC MALE CONDUIT COVER	
DIMENSIONS: mm		TOLERANCES UNLESS OTHERWISE SPECIFIED:		PRODUCT SPEC	
		0 PLC ±- 1 PLC ±1.0 2 PLC ±0.5 3 PLC ±- 4 PLC ±- ANGLES ±- FINISH ±-		APPLICATION SPEC	
MATERIAL				WEIGHT	
				SCALE 1:1 SHEET 1 OF 2 REV A1	
		CUSTOMER DRAWING		RESTRICTED TO	
		SIZE A2		CAGE CODE 00779	
		DRAWING NO. C-2500035			

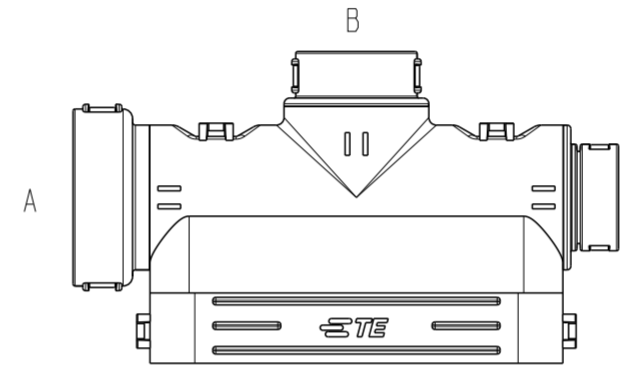
7-2500035-5
PART NO

P	LTR	DESCRIPTION	DATE	DWN	APVD
-		SEE SHEET 1	-	-	-

A OR B	OUTLET
0	BLANK
1	NC28 MALE
2	NC28 FEMALE
3	NC32 FEMALE
4	NC40 FEMALE



EXAMPLE
 4-2500035-0
 SRC INTERFACE: MALE = 5
 SIDE EXIT: NC28 MALE AND NC32 FEMALE = 13
 CENTRE EXIT: NC40 = 4



X	INTERFACE TYPE
5	MALE

SRC INTERFACE (X)
(SEE NOTES)

CENTRE OUTLET (B)

TABLE 2

OLD PART NUMBER	PART NUMBER
937920020	2500016-1
937921218	2500017-1
937922414	2500018-1
937923612	2500019-1
937924808	2500020-1
937926006	2500021-1
937926025	2500022-1
937927202	2500023-1
937328400	2500024-1
937928425	2500025-1
938508425	2500026-1
938508400	2500027-1
938506025	2500028-1
938506006	2500029-1
938504808	2500030-1
938503612	2500031-1

A	A
0	0
0	1
0	2
0	3
0	4
1	1
1	2
1	3
1	4
2	2
2	3
2	4
3	3
3	4
4	4

SIDE OUTLETS (A-A)

SRC MALE CONDUIT INTERFACE

TABLE 3

XAAB	PART NUMBER	XAAB	PART NUMBER	XAAB	PART NUMBER
	△ ⁴	5110	2-2500035-6	5230	5-2500035-1
5001	2500035-2	5111	2-2500035-7	5231	5-2500035-2
5002	2500035-3	5112	2-2500035-8	5232	5-2500035-3
5003	2500035-4	5113	2-2500035-9	5233	5-2500035-4
5004	2500035-5	5114	3-2500035-0	5234	5-2500035-5
5010	2500035-6	5120	3-2500035-1	5240	5-2500035-6
5011	2500035-7	5121	3-2500035-2	5241	5-2500035-7
5012	2500035-8	5122	3-2500035-3	5242	5-2500035-8
5013	2500035-9	5123	3-2500035-4	5243	5-2500035-9
5014	1-2500035-0	5124	3-2500035-5	5244	6-2500035-0
5020	1-2500035-1	5130	3-2500035-6	5330	6-2500035-1
5021	1-2500035-2	5131	3-2500035-7	5331	6-2500035-2
5022	1-2500035-3	5132	3-2500035-8	5332	6-2500035-3
5023	1-2500035-4	5133	3-2500035-9	5333	6-2500035-4
5024	1-2500035-5	5134	4-2500035-0	5334	6-2500035-5
5030	1-2500035-6	5140	4-2500035-1	5340	6-2500035-6
5031	1-2500035-7	5141	4-2500035-2	5341	6-2500035-7
5032	1-2500035-8	5142	4-2500035-3	5342	6-2500035-8
5033	1-2500035-9	5143	4-2500035-4	5343	6-2500035-9
5034	2-2500035-0	5144	4-2500035-5	5344	7-2500035-0
5040	2-2500035-1	5220	4-2500035-6	5440	7-2500035-1
5041	2-2500035-2	5221	4-2500035-7	5441	7-2500035-2
5042	2-2500035-3	5222	4-2500035-8	5442	7-2500035-3
5043	2-2500035-4	5223	4-2500035-9	5443	7-2500035-4
5044	2-2500035-5	5224	5-2500035-0	5444	7-2500035-5

NOTES:

- ALL OTHER NOTES AND DIMENSIONS SEE SHEET 1 & 2.
- TABLE 2 SPECIFIES THE SRC MALE CONNECTORS THAT ARE COMPATIBLE WITH EACH OPTION OF MALE CONDUIT INTERFACES.
- CONDUIT COVERS MAY BE ASSEMBLED IN EITHER DIRECTION ON CONNECTOR BY ROTATING 180° AROUND THE CENTRE OUTLET AXIS.

△ PART NUMBER 2500035-1 REMOVED AS THIS IS NOT A VALID OPTION

OUTLET SIZE FORMAT CONVERSION CHART

NC	NW
28	23
32	29
40	36

THIS DRAWING IS A CONTROLLED DOCUMENT.

DIMENSIONS:	TOLERANCES UNLESS OTHERWISE SPECIFIED:
mm	0 PLC ± 1 PLC ±1.0 2 PLC ±0.5 3 PLC ± 4 PLC ±
MATERIAL	ANGLES ± FINISH ±

DWN	05AUG2020	TE Connectivity	
CHK	05AUG2020		
APVD	05AUG2020		
NAME	M. TRULL		
PRODUCT SPEC		NAME	SRC MALE CONDUIT COVER
APPLICATION SPEC		SIZE	A2
WEIGHT		CAGE CODE	00779
CUSTOMER DRAWING		DRAWING NO	C-2500035
		RESTRICTED TO	
		SCALE	1:2
		SHEET	2 OF 2
		REV	A1