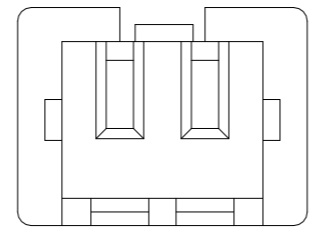
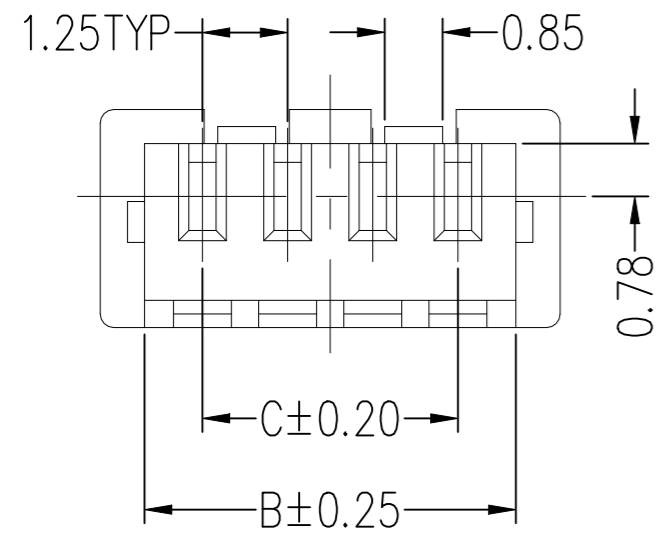
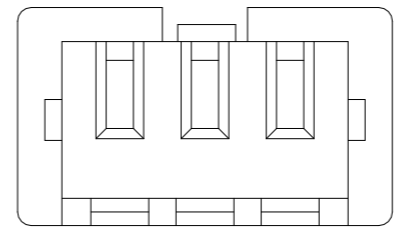


REVISIONS					
P	LTR	DESCRIPTION	DATE	DWN	APVD
	A	INITIAL RELEASE	20DEC23	G.C	H.L

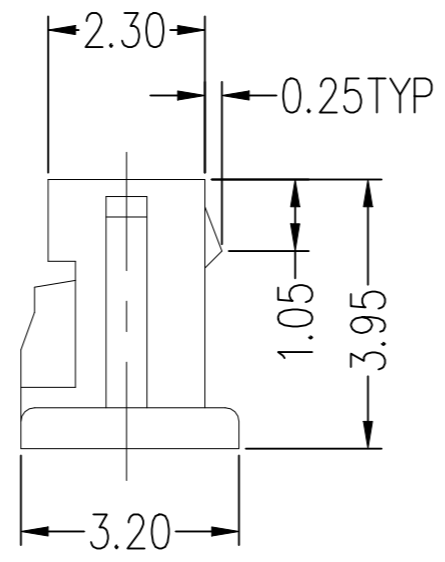
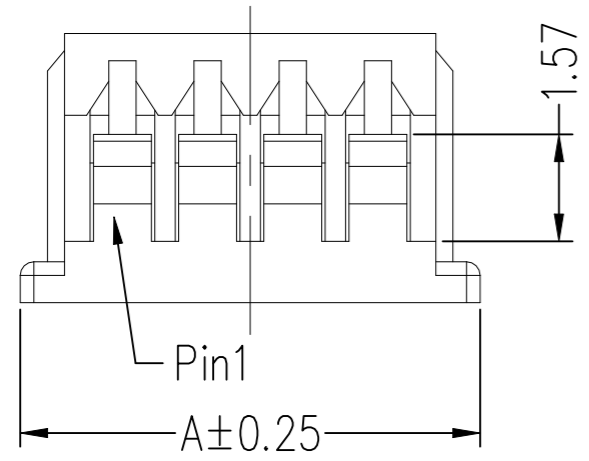


2P

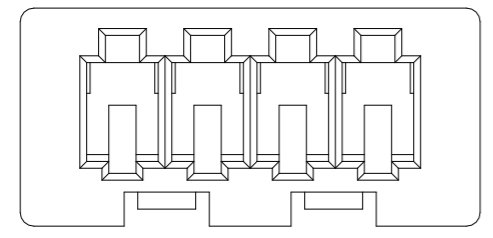



3P

- NOTES:
- 1, Current Rating: 1.0A
  - 2, Contact Resistance: 20mΩ Max
  - 3, Withstand Voltage: 500V AC
  - 4, Insulation Resistance: 100MΩ Min
  - 5, Operation Temperature: -25°C to +85°C
  - 6, Housing: Thermoplastic, UL94V-0, Natural



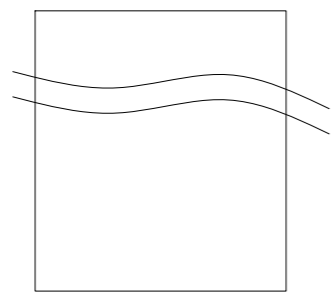
PINS	DIM A	DIM B	DIM C	PN
15	20.50	19.20	17.50	1-2476785-5
14	19.25	17.95	16.25	1-2476785-4
13	18.00	16.70	15.00	1-2476785-3
12	16.75	15.45	13.75	1-2476785-2
11	15.50	14.20	12.50	1-2476785-1
10	14.25	12.95	11.25	1-2476785-0
9	13.00	11.70	10.00	2476785-9
8	11.75	10.45	8.75	2476785-8
7	10.50	9.20	7.50	2476785-7
6	9.25	7.95	6.25	2476785-6
5	8.00	6.70	5.00	2476785-5
4	6.75	5.45	3.75	2476785-4
3	5.50	4.20	2.50	2476785-3
2	4.25	2.95	1.25	2476785-2



THIS DRAWING IS A CONTROLLED DOCUMENT.		DWN GOWTHAM 20DEC23	 <b>TE Connectivity</b>		
DIMENSIONS: mm		CHK CONNOR KANG - APVD HOPE LU 20DEC23			
TOLERANCES UNLESS OTHERWISE SPECIFIED:		PRODUCT SPEC 108-161197	WIRE TO BOARD SOCKET, HOUSING, 1.25MM PITCH		
0 PLC ± - 1 PLC ± - 2 PLC ± 0.25 3 PLC ± 0.15 4 PLC ± - ANGLES ± -		APPLICATION SPEC 114-160812	SIZE	CAGE CODE	DRAWING NO
MATERIAL		WEIGHT 0	A3	00779	C-2476785
FINISH		CUSTOMER DRAWING			RESTRICTED TO
		SCALE	SHEET	REV	
		1:1	1 OF 2	A	

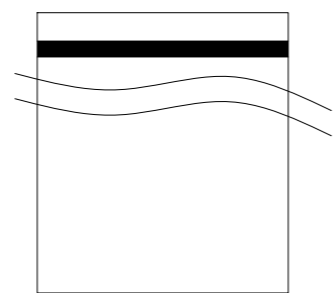


REVISIONS					
P	LTR	DESCRIPTION	DATE	DWN	APVD
-	-	SEE SHEET 1	-	-	-



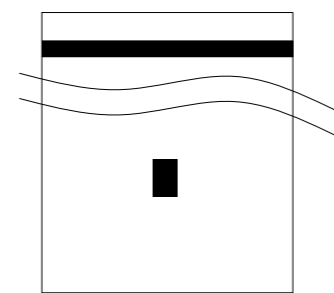
No.1

Put the products into PE bags



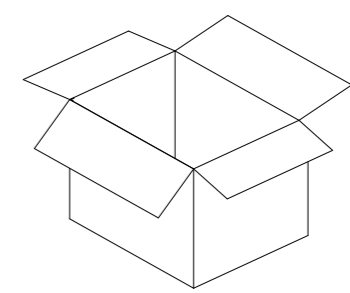
No.2

Then seal the PE bag



No.3

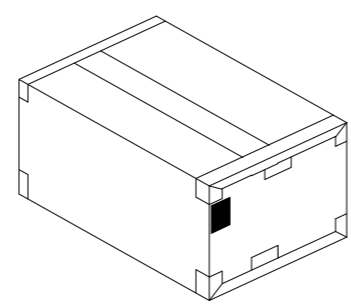
Stick the label in the middle of the PE bag



No.4

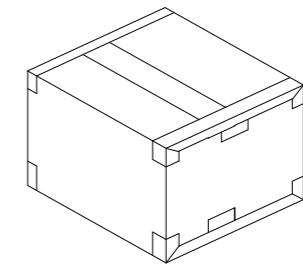
Put the PE bag into the box  
box size: CTN-06TE  
(47.0\*23.5\*21.0cm)

1.25mm Housing M Type			
TE P/E	PIN	PCS/ Bag	PCS/ Outer Box
2476785-2	2P	1000	80000
2476785-3	3P	1000	70000
2476785-4	4P	1000	70000
2476785-5	5P	1000	60000
2476785-6	6P	1000	60000
2476785-7	7P	1000	50000
2476785-8	8P	1000	50000
2476785-9	9P	1000	50000
1-2476785-0	10P	1000	30000
1-2476785-1	11P	1000	30000
1-2476785-2	12P	1000	10000
1-2476785-3	13P	1000	10000
1-2476785-4	14P	1000	8000
1-2476785-5	15P	1000	8000



No: 6

Seal the box and stick the label on the top left corner of the side of the outer box



No:5

Sealing box

Instructions:

1. Pay attention to the style of each label. Position and direction of consistency.

THIS DRAWING IS A CONTROLLED DOCUMENT.		DWN GOWTHAM 20DEC23	TE Connectivity				
DIMENSIONS: mm		CHK CONNOR KANG - APVD HOPE LU 20DEC23				NAME WIRE TO BOARD SOCKET, HOUSING,1.25MM PITCH	
TOLERANCES UNLESS OTHERWISE SPECIFIED: 0 PLC ± - 1 PLC ± - 2 PLC ± 0.25 3 PLC ± - 4 PLC ± - ANGLES ± -		PRODUCT SPEC -	APPLICATION SPEC -				
MATERIAL -		FINISH -	WEIGHT 0	SIZE A3	CAGE CODE 00779	DRAWING NO C-2476785	RESTRICTED TO -
CUSTOMER DRAWING			SCALE 1:1	SHEET 2 OF 2	REV A		