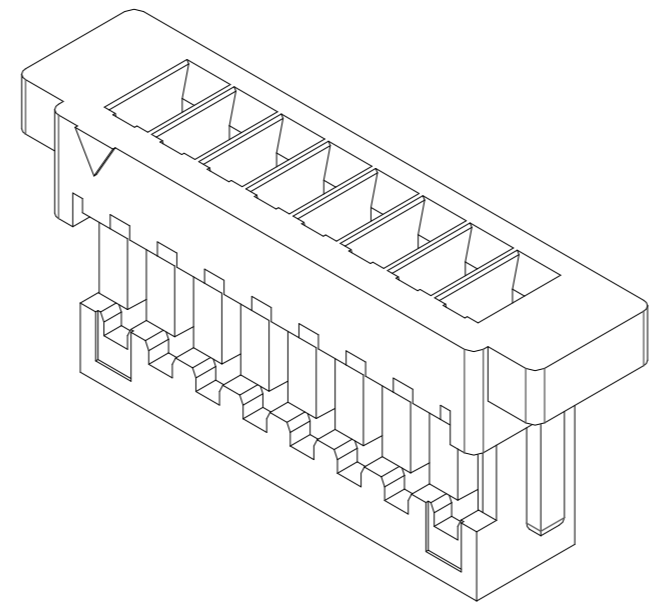
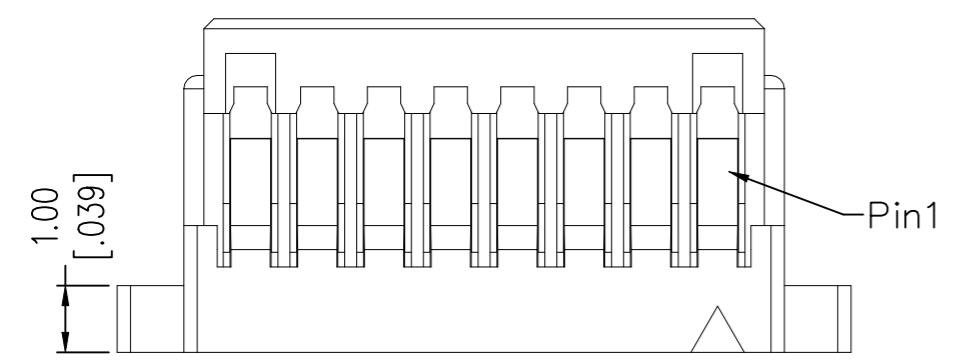
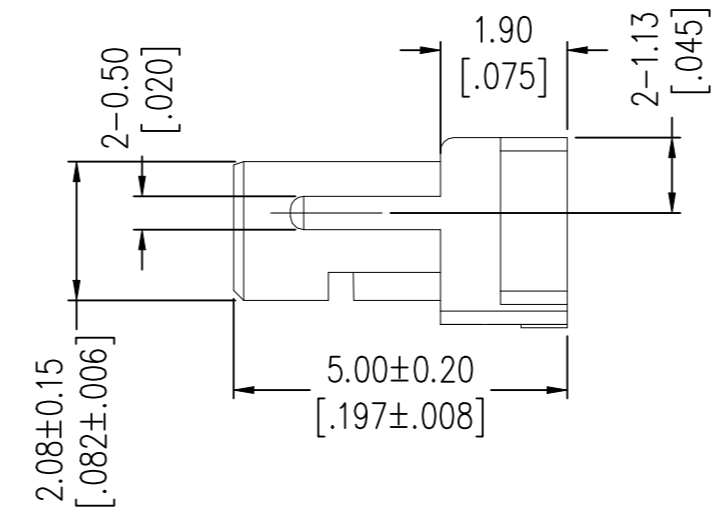
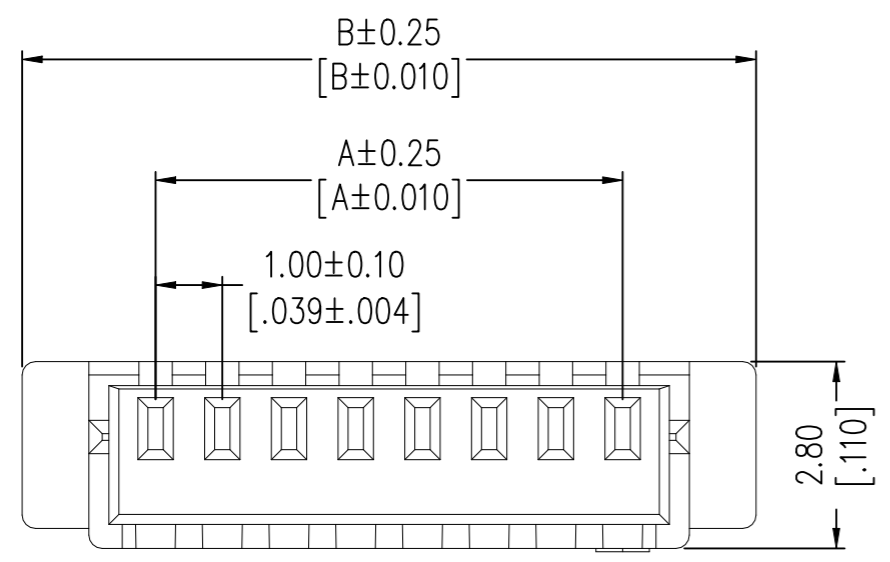



REVISIONS				
P	LTR	DESCRIPTION	DATE	APVD
A		INITIAL RELEASE	19DEC23	G.C H.L

NOTES:  
 Rated Current: 1.0A AC/DC(28#AWG)  
 Rated Voltage: 50V AC/DC  
 Contact Resistance: 20mΩ Max.  
 Withstand Voltage: 500V AC/Minute  
 Insulation Resistance: 100MΩ Min.  
 Operation Temperature: -25°C to +85°C

Housing Material: PBT (UL94V-0)

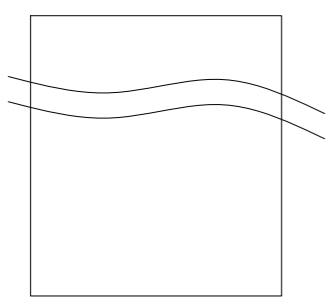


15	14.00	18.00	1-2473254-5
14	13.00	17.00	1-2473254-4
13	12.00	16.00	1-2473254-3
12	11.00	15.00	1-2473254-2
11	10.00	14.00	1-2473254-1
10	9.00	13.00	1-2473254-0
9	8.00	12.00	2473254-9
8	7.00	11.00	2473254-8
7	6.00	10.00	2473254-7
6	5.00	9.00	2473254-6
5	4.00	8.00	2473254-5
4	3.00	7.00	2473254-4
3	2.00	6.00	2473254-3
2	1.00	5.00	2473254-2
PINS	DIM A	DIM B	PN

THIS DRAWING IS A CONTROLLED DOCUMENT.		DWN GOWTHAM 19DEC23	 TE Connectivity	
DIMENSIONS: mm		CHK CONNOR KANG		
TOLERANCES UNLESS OTHERWISE SPECIFIED:		APVD HOPE LU 19DEC23	NAME 1.0MM PITCH WIRE TO BOARD CONNECTOR, RECEPTACLE, SMT, HOUSING	
0 PLC ± - 1 PLC ± - 2 PLC ± 0.25 3 PLC ± 0.15 4 PLC ± - ANGLES ± -		PRODUCT SPEC 108-161192	RESTRICTED TO	
MATERIAL		APPLICATION SPEC 114-160811	SIZE A3	CAGE CODE 00779
FINISH		WEIGHT 0	DRAWING NO C-2473254	
CUSTOMER DRAWING			SCALE 1:1	SHEET 1 of 2
			REV A	

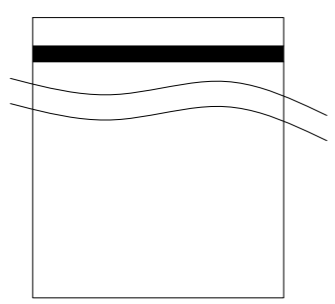


REVISIONS					
P	LTR	DESCRIPTION	DATE	DWN	APVD
-	-	SEE SHEET 1	-	-	-



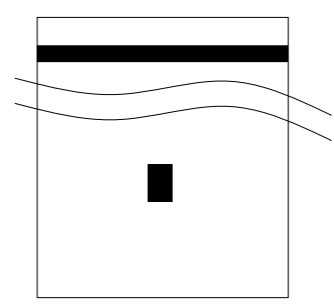
No.1

Put the products into PE bags



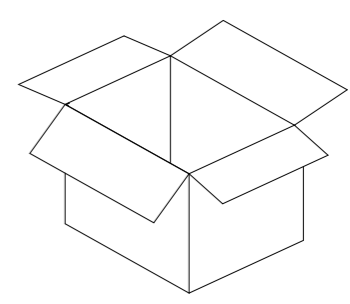
No.2

Then seal the PE bag



No.3

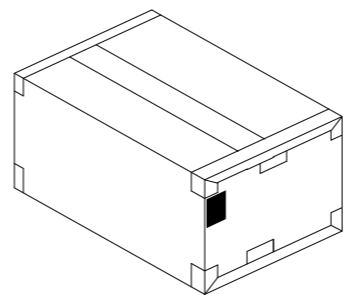
Stick the label in the middle of the PE bag



No:4

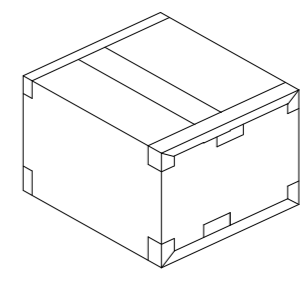
Put the PE bag into the box  
box size: CTN-06TE  
(47.0\*23.5\*21.0cm)

1.00mm Housing			
TE P/N	PIN	PCS/Bag	PCS/Outer Box
2473254-2	2P	1000	40000
2473254-3	3P	1000	40000
2473254-4	4P	1000	40000
2473254-5	5P	1000	40000
2473254-6	6P	1000	40000
2473254-7	7P	1000	40000
2473254-8	8P	1000	40000
2473254-9	9P	1000	40000
1-2473254-0	10P	1000	40000
1-2473254-1	11P	1000	30000
1-2473254-2	12P	1000	30000
1-2473254-3	13P	1000	30000
1-2473254-4	14P	1000	30000
1-2473254-5	15P	1000	30000



No: 6

Seal the box and stick the label on the top left corner of the side of the outer box



No:5

Sealing box

Instructions:  
1. Pay attention to the style of each label.  
Position and direction of consistency.

THIS DRAWING IS A CONTROLLED DOCUMENT.		DWN GOWTHAM 19DEC23	TE Connectivity		
DIMENSIONS: mm		CHK CONNOR KANG -			
TOLERANCES UNLESS OTHERWISE SPECIFIED:		APVD HOPE LU 19DEC23	NAME 1.0MM PITCH WIRE TO BOARD CONNECTOR, RECEPTACLE, SMT, HOUSING		
0 PLC ± -		PRODUCT SPEC -	APPLICATION SPEC -		
1 PLC ± -		WEIGHT 0	SIZE A3	CAGE CODE 00779	DRAWING NO C-2473254
2 PLC ± 0.25		MATERIAL -	CUSTOMER DRAWING		RESTRICTED TO -
3 PLC ± -			SCALE 1:1	SHEET 2 OF 2	REV A
4 PLC ± -					
ANGLES ± -					
FINISH -					