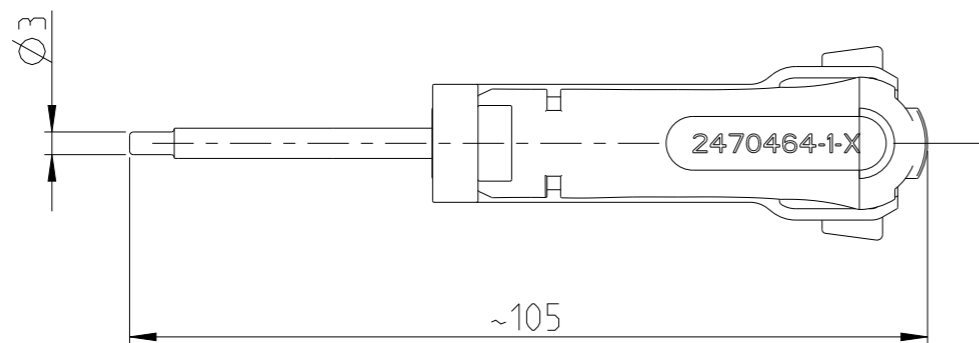
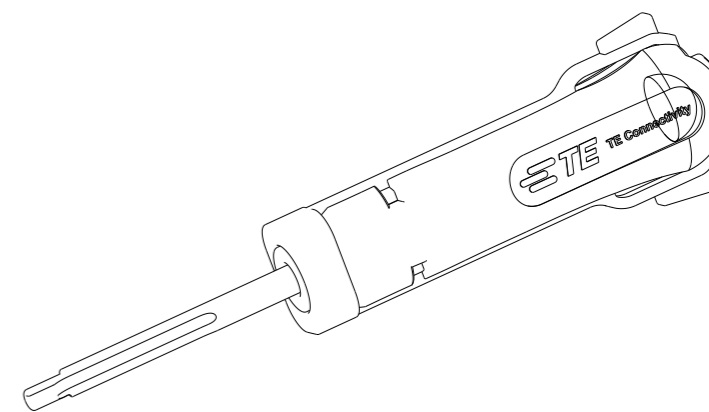
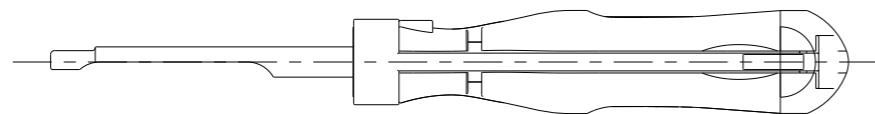
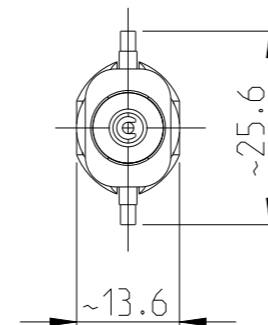
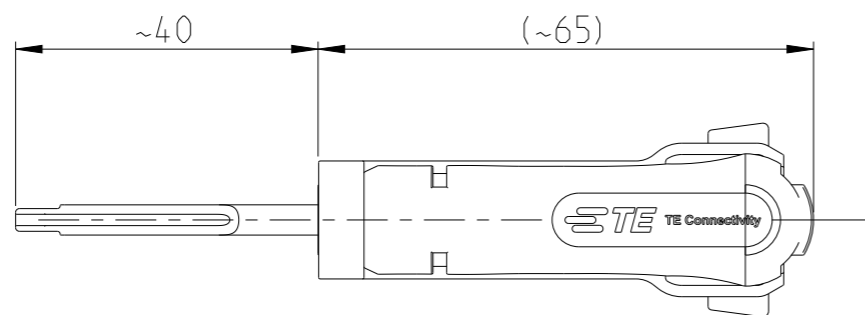

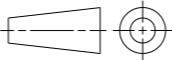


PART NUMBER	REV	FIRST USED
2470464-1	A	-

REVISIONS					
P	LTR	DESCRIPTION	DATE	DWN	APVD
	A	Initial Release	23AUG2023	BM	CH



APPLICATION RANGE / Anwendungsbereich:
 Contact: 60789, 60888, 60598, 60983, 350221
 Contact to printed circuit board.

THIS DRAWING IS A CONTROLLED DOCUMENT.		DWN B.Muth	18AUG2023	 TE Connectivity	
DIMENSIONS: mm		CHK B.Muth	18AUG2023		
		APVD C.Hoskote	18AUG2023		
TOLERANCES UNLESS OTHERWISE SPECIFIED:		NAME INSERTION TOOL		PRODUCT SPEC	
0 PLC ±		-		-	
1 PLC ±		-		-	
2 PLC ±		-		-	
3 PLC ±		-		-	
4 PLC ±		-		-	
ANGLES ±		-		-	
MATERIAL		WEIGHT		RESTRICTED TO	
-		0.017 kg		-	
-		A3		-	
		CAGE CODE		DRAWING NO	
		00779		C=2470464	
		CUSTOMER DRAWING		SCALE	
				1:1	
				SHEET	
				1 OF 1	
				REV	
				A	