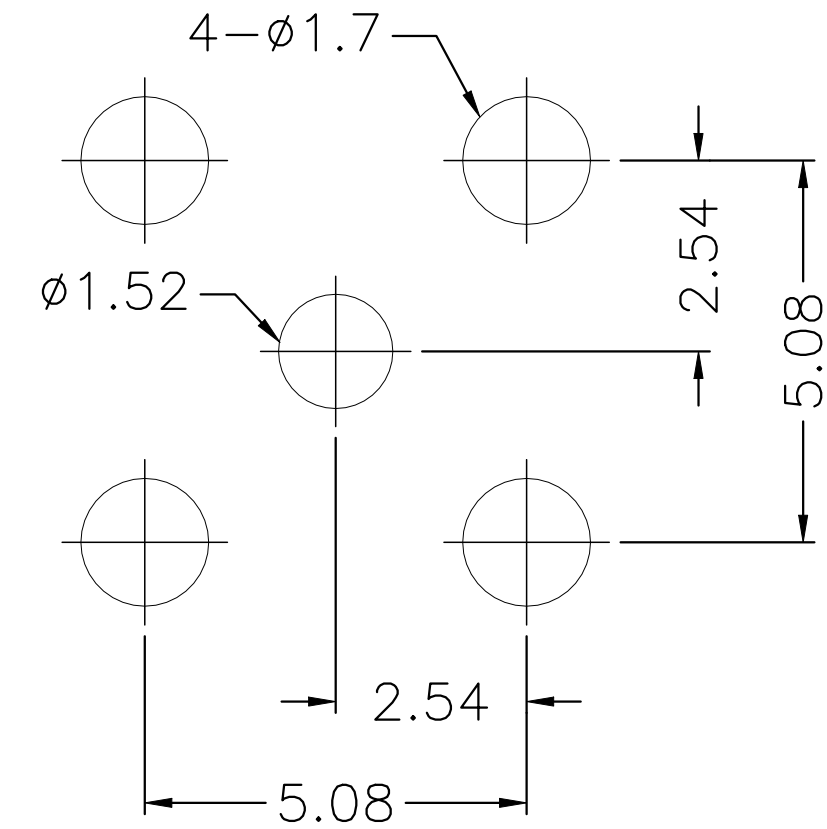
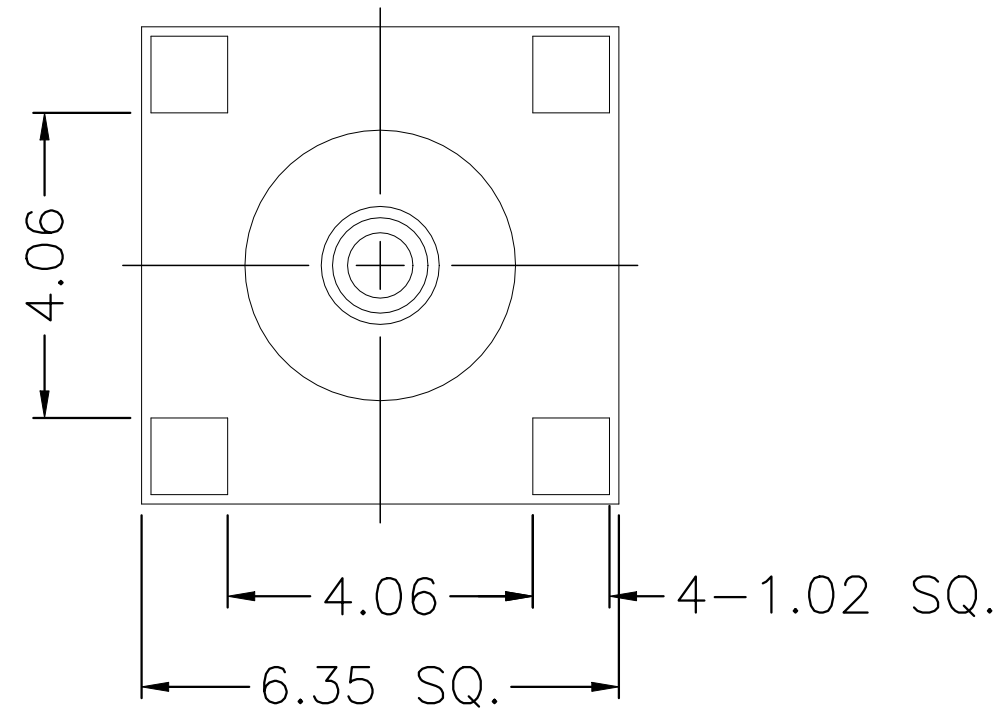
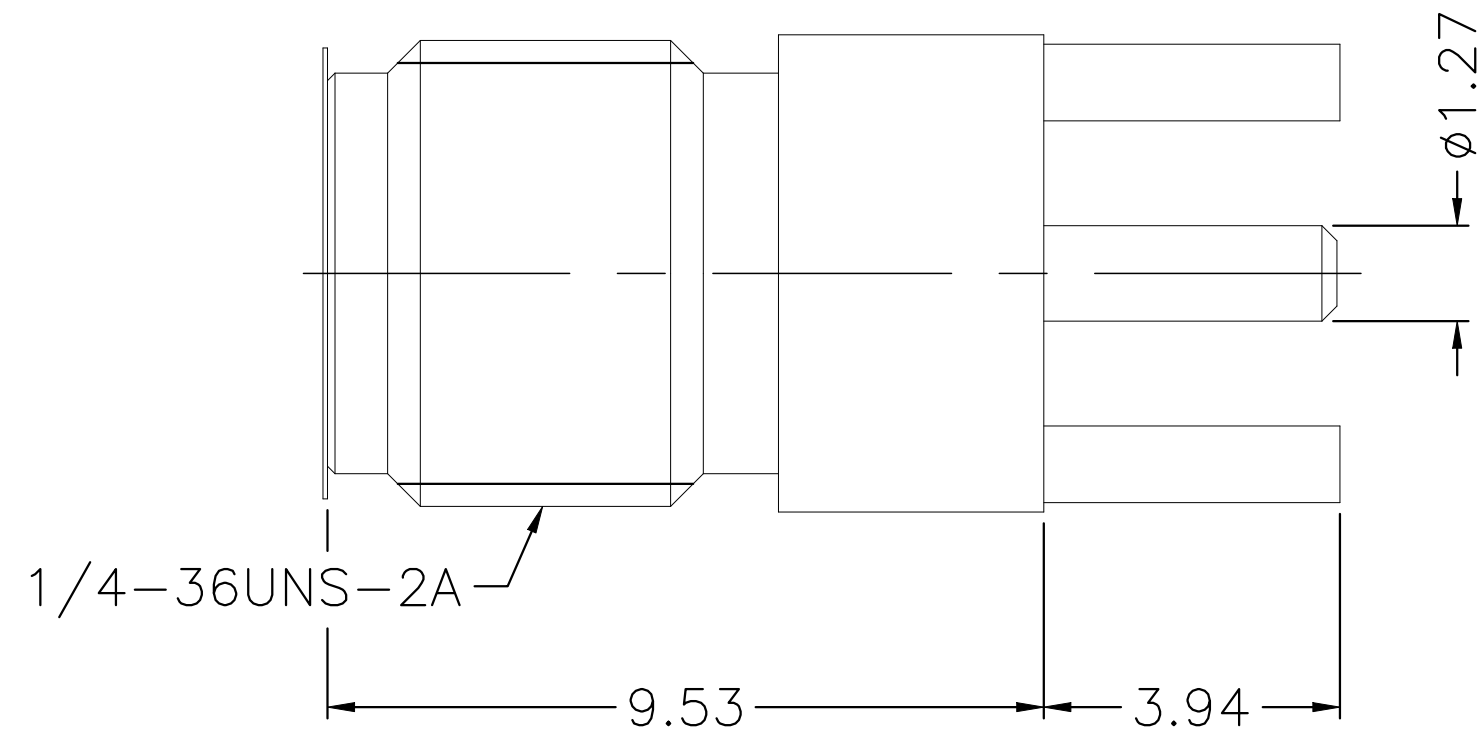


REVISIONS					
P	LTR	DESCRIPTION	DATE	DWN	APVD
	A	GTP(ECN-23-230362)	11SEP2023	ED	WH



PCB MOUNTING HOLE

NOTES:

- 1 PACK IN ACCORDANCE WITH TE SPEC 107-3275;
- 2 ALL DIMENSIONS ARE NOMINAL FOR REFERENCE ONLY UNLESS OTHERWISE STATED;
- 3 ELECTRICAL CHARACTERISTICS :
 FREQUENCY RANGE : DC-18GHz
 NOMINAL IMPEDANCE : 50 OHMS
 INSULATION RESISTANCE : 5000 MOHMS
 WORKING VOLTAGE : 335 VRMS MAX
 DIELECTRIC WITHSTANDING VOLTAGE : 750 VOLTS MAX
 VSWR : 1.3(DC-18GHz)
 CONTACT RESISTANCE :
 CENTER CONTACT : 3 mOHMS MAX
 OUTER CONTACT : 2 mOHMS MAX;
- 4 MECHANICAL CHARACTERISTICS :
 DURABILITY : 500 CYCLES
 TORQUE SETTING : 7-10 IN-LBS;
- 5 TEMPERATURE RANGE: -65°-+165°;
- 6 TAPE AND REEL PACKAGING. 300PCS/REEL.
- 7 RoHS: COMPLIANT.

QUANTITY PER ASSY	PARTS LIST
1	MYLAR 4
1	GOLD 50u/ NICKEL/COPPER BERYLLIUM COPPER CENTER CONTACT 3
1	NATURAL PTFE INSULATOR 2
1	GOLD 30u/ NICKEL/COPPER BRASS BODY 1
2466279-1	PLATING MATERIAL DESCRIPTION ITEM

THIS DRAWING IS A CONTROLLED DOCUMENT.

DWN ED 10SEP2023
 CHK ED 10SEP2023
 APVD WH 10SEP2023

TE Connectivity

SMA JACK,PCB THROUGH HOLE,
 STRAIGHT,DC-18GHZ

SIZE A2 CAGE CODE 00779 DRAWING NO C-2466279 RESTRICTED TO -

WEIGHT 0

CUSTOMER DRAWING SCALE 8:1 SHEET 1 OF 1 REV A