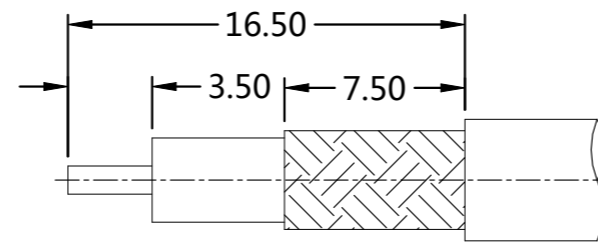
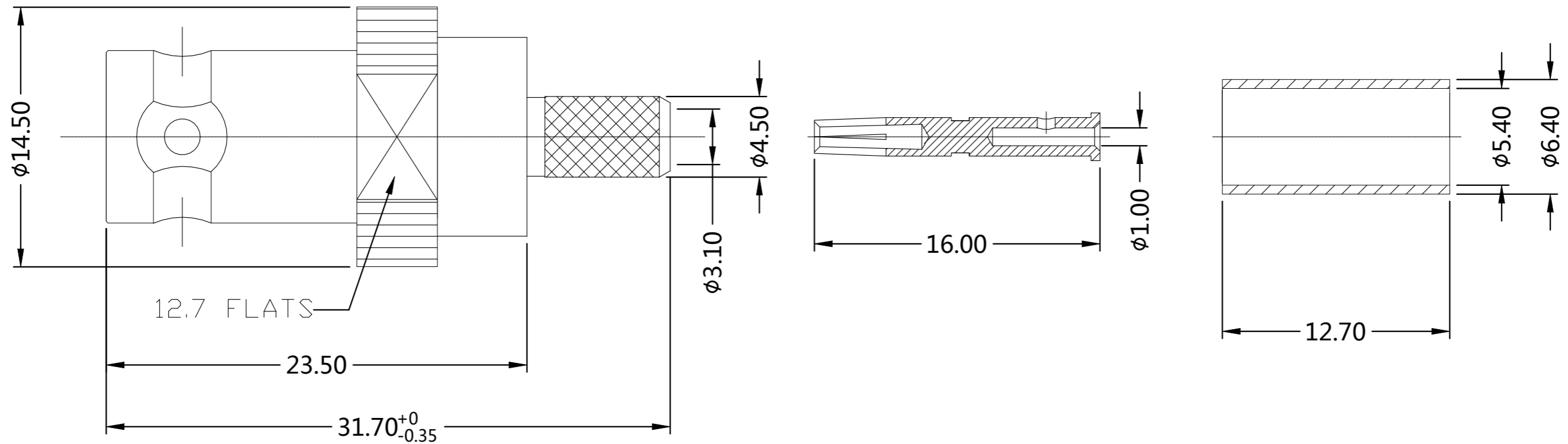


REVISIONS

P	LTR	DESCRIPTION	DATE	DWN	APVD
	A	REVISED PER ECN-22-170926	24AUG2022	RZ	WK



RECOMMENDED CABLE STRIPPING DIM'S

QTY	DESCRIPTION	MATERIAL	ITEM
1	Ni100u"	BRASS	BODY 3
1	-	PTFE	INSULATION 2
1	Au3u"/Ni100u"	BRONZE	CENTER CONTACT 1
-1	PLATING	MATERIAL	DESCRIPTION

QUANTITY PER ASSY: _____ PARTS LIST

THIS DRAWING IS A CONTROLLED DOCUMENT.		DWN RANDY Z 13JUN2022	STE TE Connectivity	
		CHK ERIC D 07JUN2022		
DIMENSIONS: mm		APVD WENKE H 07JUN2022	NAME BNC JACK ST CRIMP FOR RG58	
TOLERANCES UNLESS OTHERWISE SPECIFIED:		PRODUCT SPEC	-	
0 PLC ± -		APPLICATION SPEC	-	
1 PLC ± 0.30		WEIGHT	-	
2 PLC ± 0.20		SIZE	CAGE CODE	DRAWING NO
3 PLC ± 0.15		A3 00779		C-2455003
4 PLC ± -		CUSTOMER DRAWING		RESTRICTED TO
ANGLES ± 5°		SCALE 1:1		SHEET 1 OF 1
MATERIAL -		FINISH -		REV A