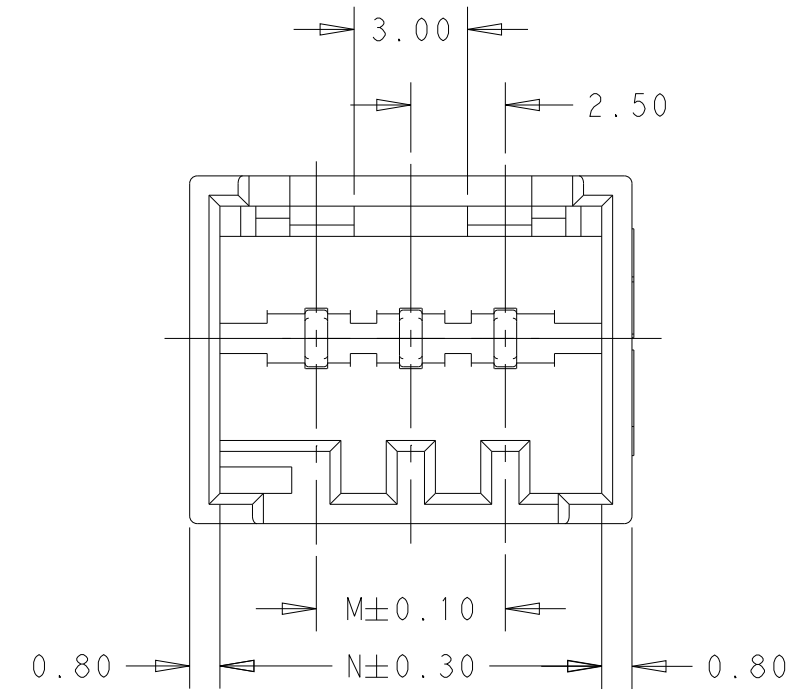
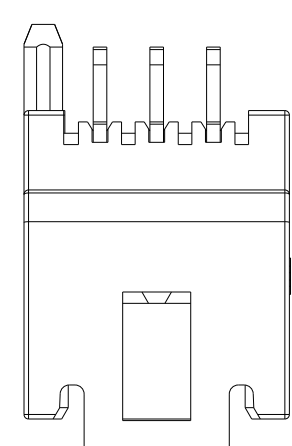
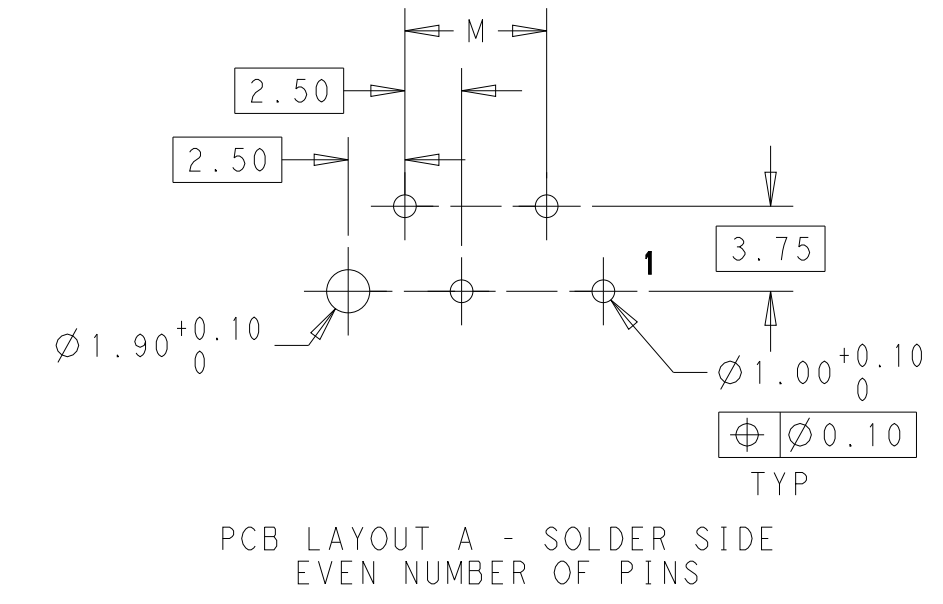
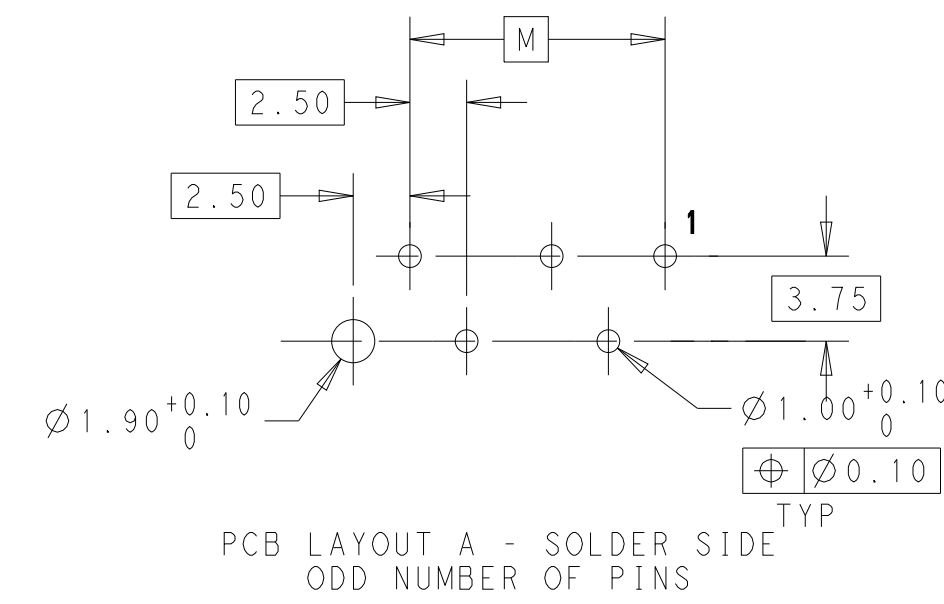
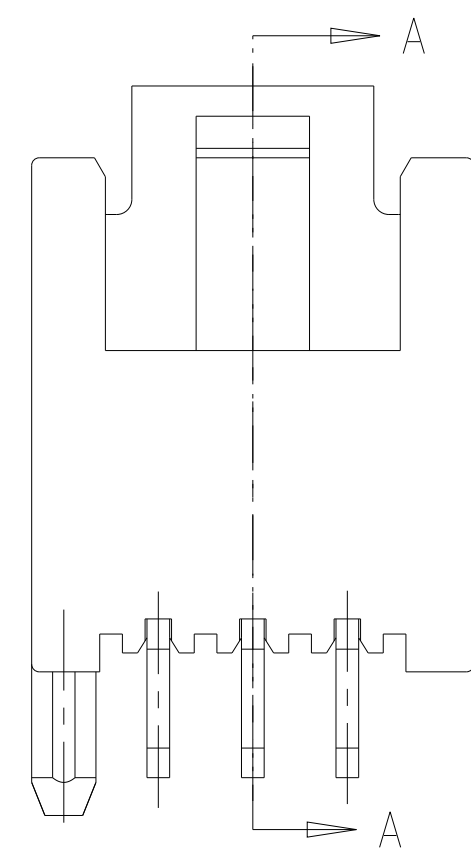
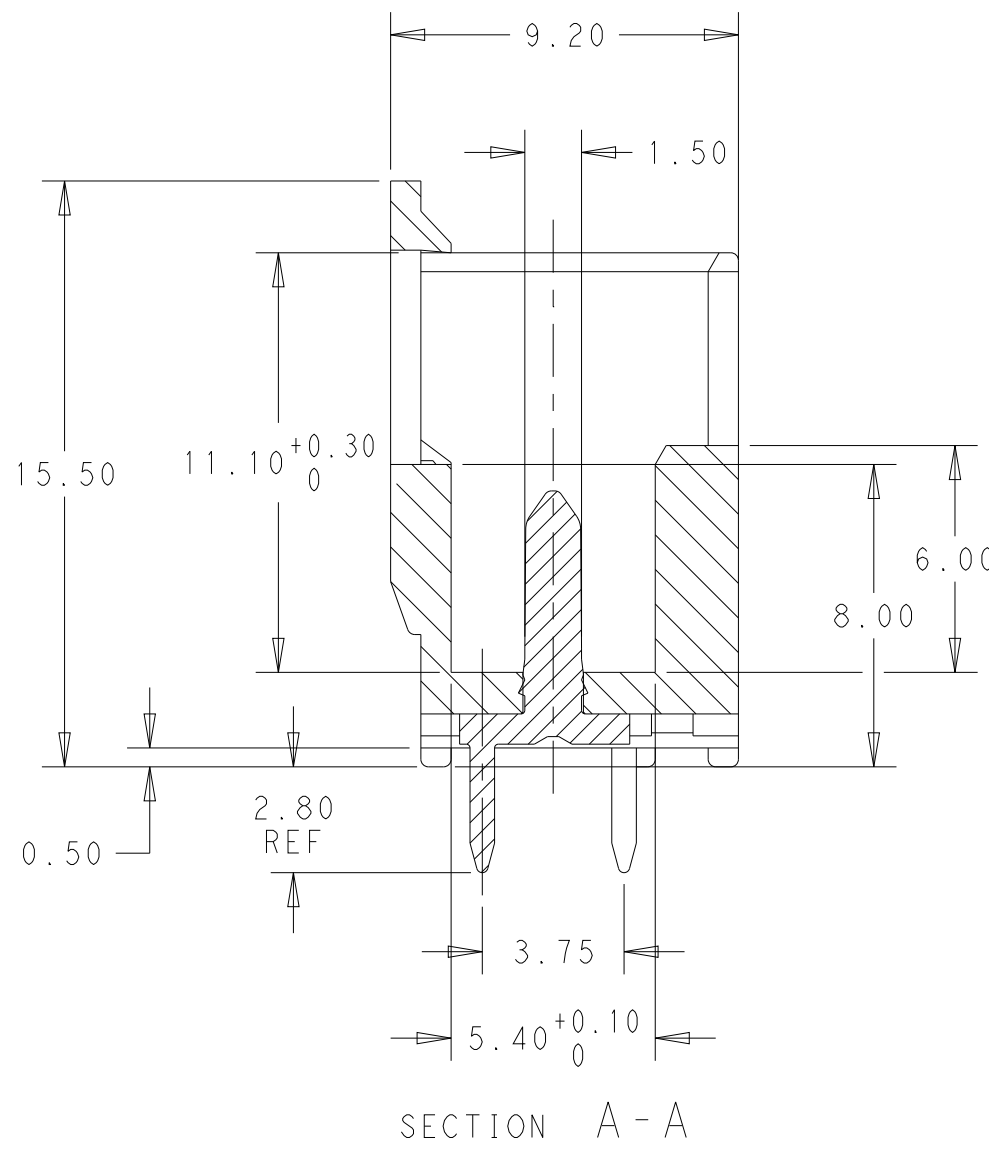


REVISIONS				
P	LTR	DESCRIPTION	DATE	APVD
1		INITIAL RELEASE	09MAR2023	SM FL

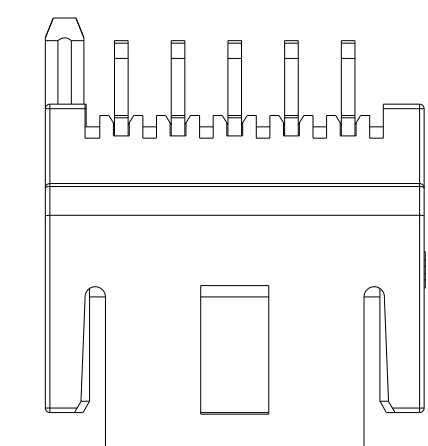


- 1 SEE SHEET 2 FOR AVAILABLE CONFIGURATIONS
- 2 MATERIAL: HOUSING, NYLON, UL94 V0, 750°C GWT NO FLAME CONTACT, COPPER ALLOY, 0.60MM THICK
- 3 FINISH: TIN PLATING OVER NICKEL UNDERPLATING
- 4 PCB LAYOUT AS SHOWN
- 5 PRELIMINARY, NOT FOR PRODUCTION



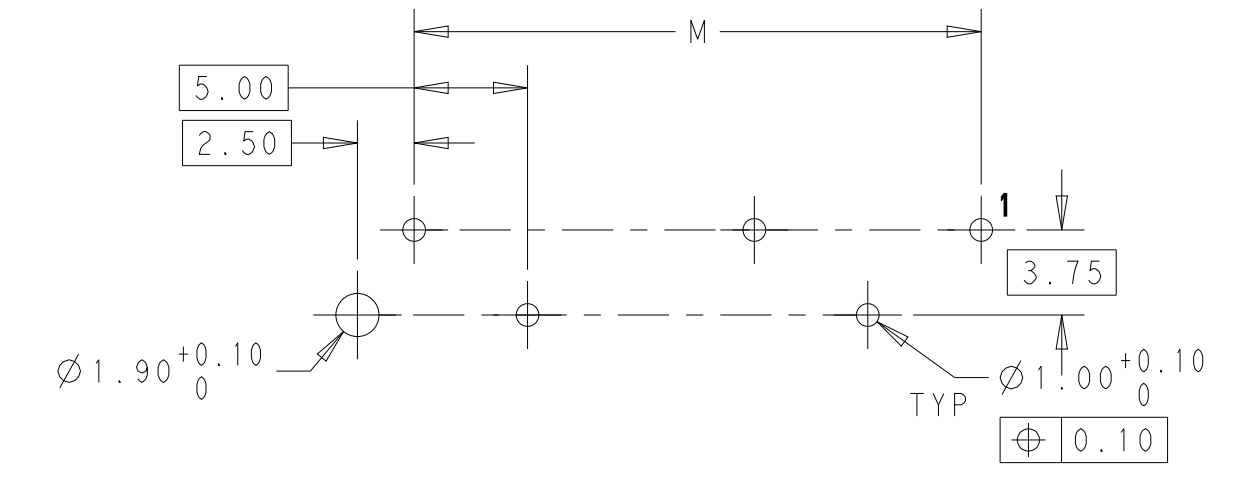
SCALE 3:1

LATCH DESIGN FOR PARTS WITH 3 AND 4 POSITIONS



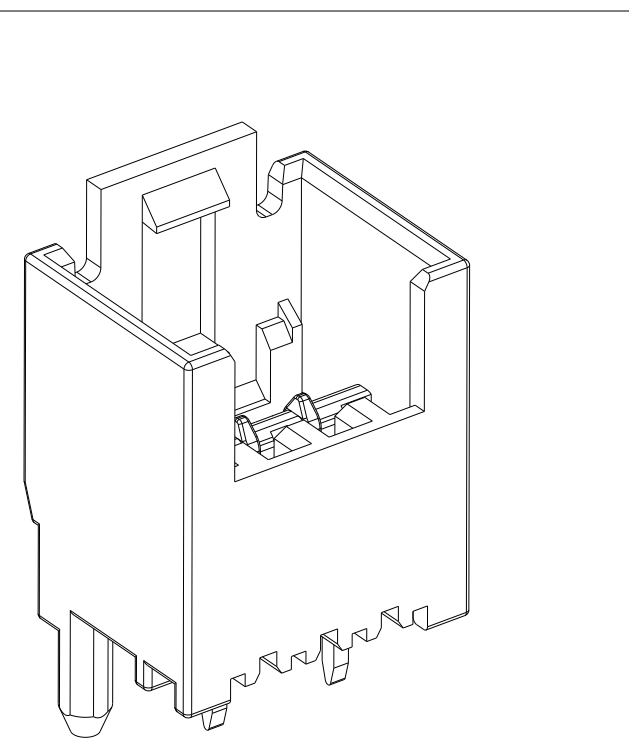
SCALE 3:1

LATCH DESIGN FOR PARTS WITH POSITION BIGGER THAN 4



PCB LAYOUT B - SOLDER SIDE ODD NUMBER OF PINS

40.00	40.00	45.10	40.00	17
20.00	20.00	25.10	20.00	9
15.00	-	20.10	15.00	7
10.00	-	17.60	12.50	6
10.00	10.00	15.10	10.00	5
5.00	-	12.60	7.50	4
5.00	5.00	10.10	5.00	3
Q	P	N	M	POS

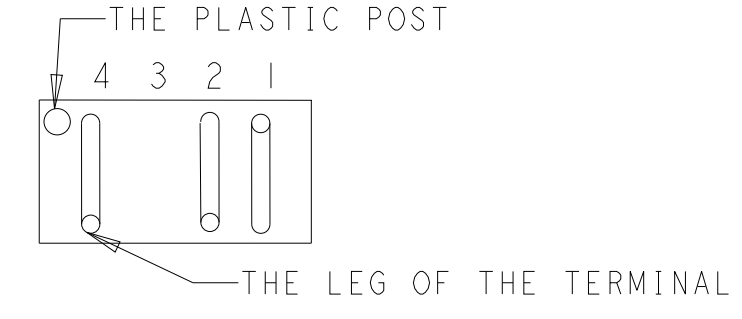
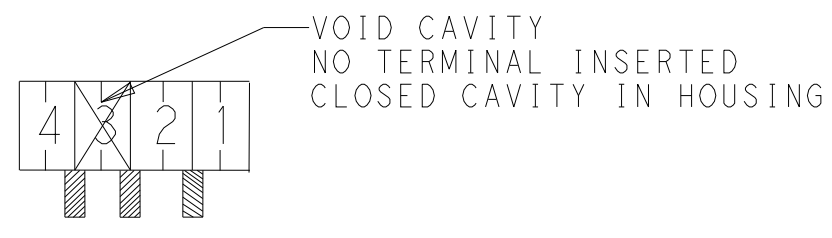


THIS DRAWING IS A CONTROLLED DOCUMENT.

DWN	09MAR2023	 TE Connectivity	NAME <b>RAST 2.5 TAB HEADER ASSY POTTED VERSION</b>									
CHK	09MAR2023											
APVD	09MAR2023											
PRODUCT SPEC	108-106079											
MATERIAL	-	SIZE	A200779	CAGE CODE	C-2452953	DRAWING NO	-	RESTRICTED TO	-			
DIMENSIONS:	mm	APPLIC. SPEC	-	WEIGHT	-	CUSTOMER DRAWING	SCALE	5:1	SHEET	1 OF 4	REV	A
DIMENSIONS: mm TOLERANCES UNLESS OTHERWISE SPECIFIED: 0 PLC ± 1 PLC ± 2 PLC ±0.20 3 PLC ± 4 PLC ± ANGLES ±1° FINISH -		TOLERANCES UNLESS OTHERWISE SPECIFIED: 0 PLC ± 1 PLC ± 2 PLC ±0.20 3 PLC ± 4 PLC ± ANGLES ±1° FINISH -		APPLIC. SPEC -		WEIGHT -		SCALE 5:1		SHEET 1 OF 4		REV A

THIS DRAWING IS UNPUBLISHED. RELEASED FOR PUBLICATION 20  
 © COPYRIGHT 20 BY - ALL RIGHTS RESERVED.

REVISIONS				
P	LTR	DESCRIPTION	DATE	APVD
-	-	SEE SHEET 1	-	-



KEYING CONFIGURATION	TAIL CONFIGURATION	PCB LAYOUT	COLOR	VOID CAVITY	CAVITY	TE PART NUMBER
		A	NATURAL	-	7	1-2452953-7
		B	NATURAL	2, 4	5	3-2452954-5
		B	BLACK	2, 4	5	1-2452954-5
		A	NATURAL	-	5	1-2452953-5
		A	NATURAL	-	4	3-2452953-4
		A	BLACK	-	4	2-2452953-4
		A	NATURAL	3	4	1-2452953-4
		A	BLACK	-	3	8-2452953-3
		A	BLACK	-	3	3-2452953-3
		A	NATURAL	-	3	1-2452953-3

THIS DRAWING IS A CONTROLLED DOCUMENT.

DWN: 09MAR2023  
 SUBHASH M.  
 CHK: 09MAR2023  
 TERESA LI  
 APVD: 09MAR2023  
 FEDERICO LUPO

**STE** TE Connectivity

NAME: RAST 2.5 TAB HEADER ASSY POTTED VERSION

SIZE: A2 CAGE CODE: 00779 DRAWING NO: C-2452953 RESTRICTED TO: -

SCALE: 5:1 SHEET: 2 OF 4 REV: A

MATERIAL: - DIMENSIONS: mm TOLERANCES UNLESS OTHERWISE SPECIFIED: 0 PLC ±, 1 PLC ±, 2 PLC ±0.20, 3 PLC ±, 4 PLC ±, ANGLES ±1°, FINISH: -

PRODUCT SPEC: 108-106079 APPLICATION SPEC: - WEIGHT: - CUSTOMER DRAWING

THIS DRAWING IS UNPUBLISHED. RELEASED FOR PUBLICATION 20  
 © COPYRIGHT 20 BY - ALL RIGHTS RESERVED.

REVISIONS					
P	LTR	DESCRIPTION	DATE	DWN	APVD
-		SEE SHEET 1	-	-	-

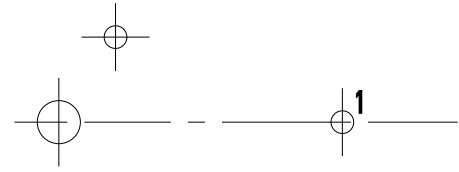
		B	NATURAL	2, 4, 6, 8, 10, 12, 14, 16	17	1-2452955-7
		B	NATURAL	2, 4, 6, 8	9	1-2452954-9
		B	BLACK	2, 4, 6, 8	9	4-2452954-9
KEYING CONFIGURATION	TAIL CONFIGURATION	PCB LAYOUT	COLOR	VOID CAVITY	CAVITY	TE PART NUMBER

THIS DRAWING IS A CONTROLLED DOCUMENT.		DWN 09MAR2023 SUBHASH M	TE Connectivity		
DIMENSIONS: mm		CHK 09MAR2023 TERESA LI			
TOLERANCES UNLESS OTHERWISE SPECIFIED:		APVD 09MAR2023 FEDERICO LUPO	NAME RAST 2.5 TAB HEADER ASSY POTTED VERSION		
		PRODUCT SPEC 108-106079	SIZE	CAGE CODE	DRAWING NO
MATERIAL -		APPLICATION SPEC -	A200779	C-2452953	RESTRICTED TO -
FINISH -		WEIGHT -	SCALE 5:1	SHEET 3 OF 4	REV A
		CUSTOMER DRAWING			

THIS DRAWING IS UNPUBLISHED. RELEASED FOR PUBLICATION 20  
 © COPYRIGHT 20 BY - ALL RIGHTS RESERVED.

REVISIONS					
P	LTR	DESCRIPTION	DATE	DWN	APVD
-		SEE SHEET 1	-	-	-

# PARTS WITH SPECIAL PCB LAYOUT



PCB LAYOUT C - SOLDER SIDE

		C	NATURAL	2, 3, 4	5	2-2452954-5
KEYING CONFIGURATION	TAIL CONFIGURATION	PCB LAYOUT	COLOR	VOID CAVITY	CAVITY	TE PART NUMBER

THIS DRAWING IS A CONTROLLED DOCUMENT.		DWN SUBHASH M 09MAR2023	TE Connectivity		
DIMENSIONS: mm		CHK TERESA LI 09MAR2023			
TOLERANCES UNLESS OTHERWISE SPECIFIED: 0 PLC ± 1 PLC ± 2 PLC ±0.20 3 PLC ± 4 PLC ± ANGLES ±1° FINISH		APVD FEDERICO LUPO 09MAR2023	NAME RAST 2.5 TAB HEADER ASSY POTTED VERSION		
MATERIAL -		PRODUCT SPEC 108-106079	SIZE A200779	CAGE CODE C-2232960	DRAWING NO -
		APPLICATION SPEC -	RESTRICTED TO -		
		WEIGHT -	SCALE 5:1		SHEET 4 OF 4
		CUSTOMER DRAWING	REV A		