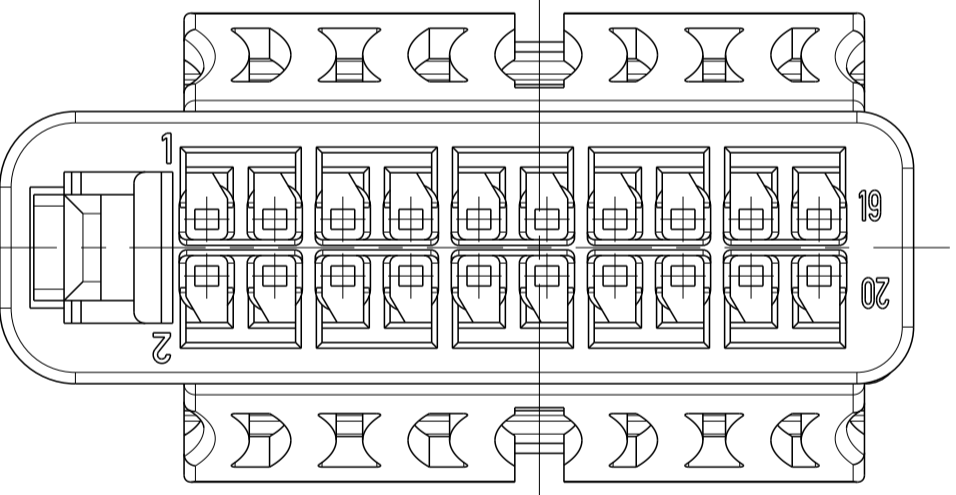
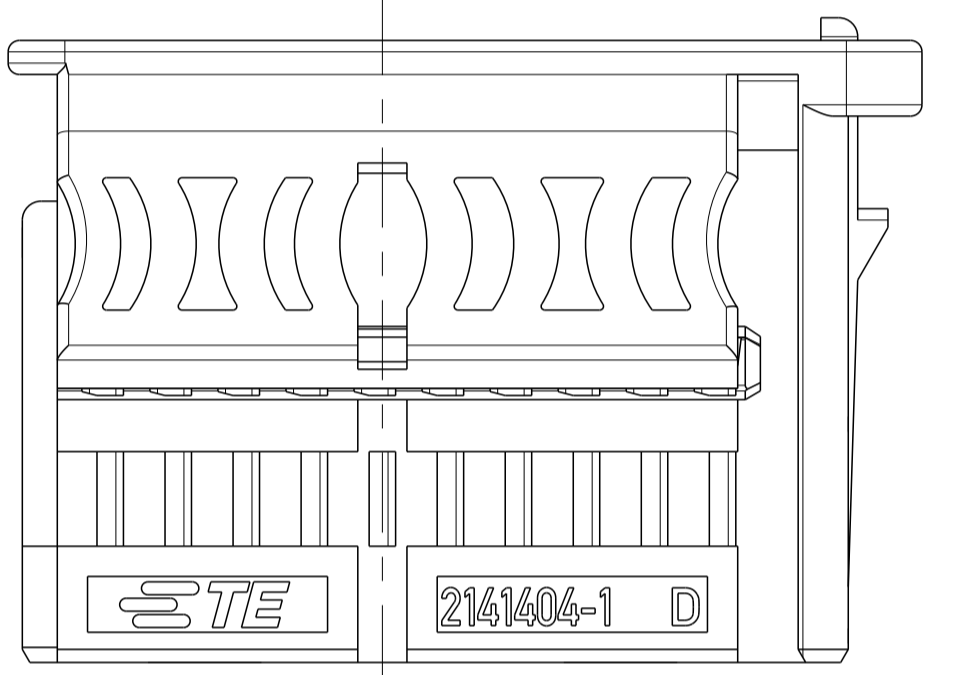
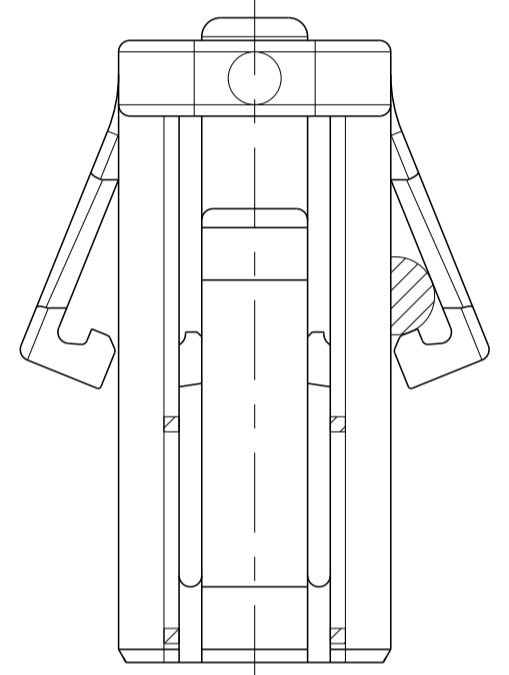
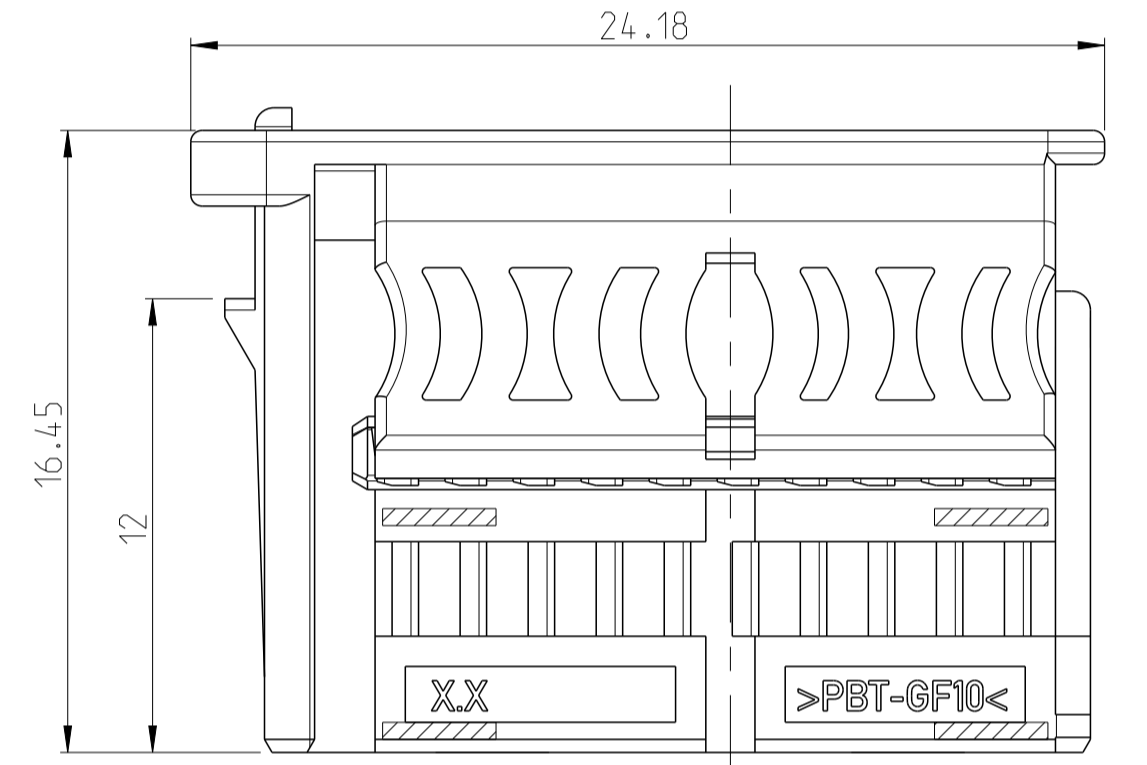
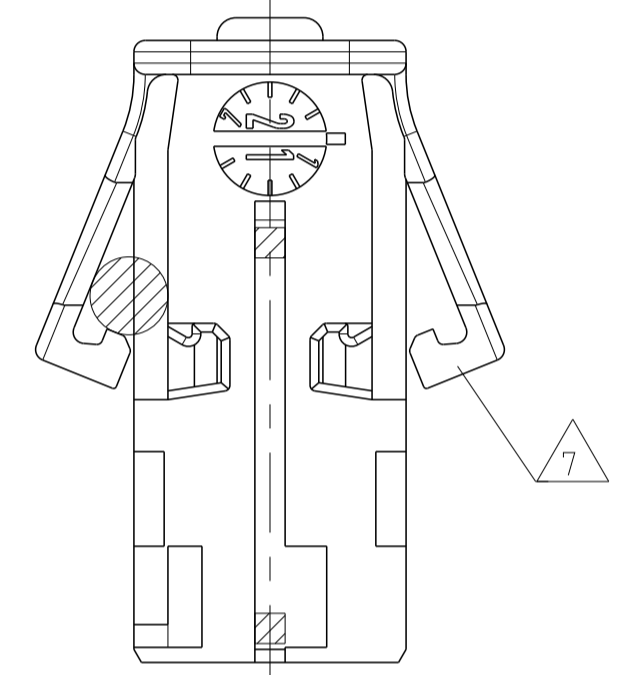
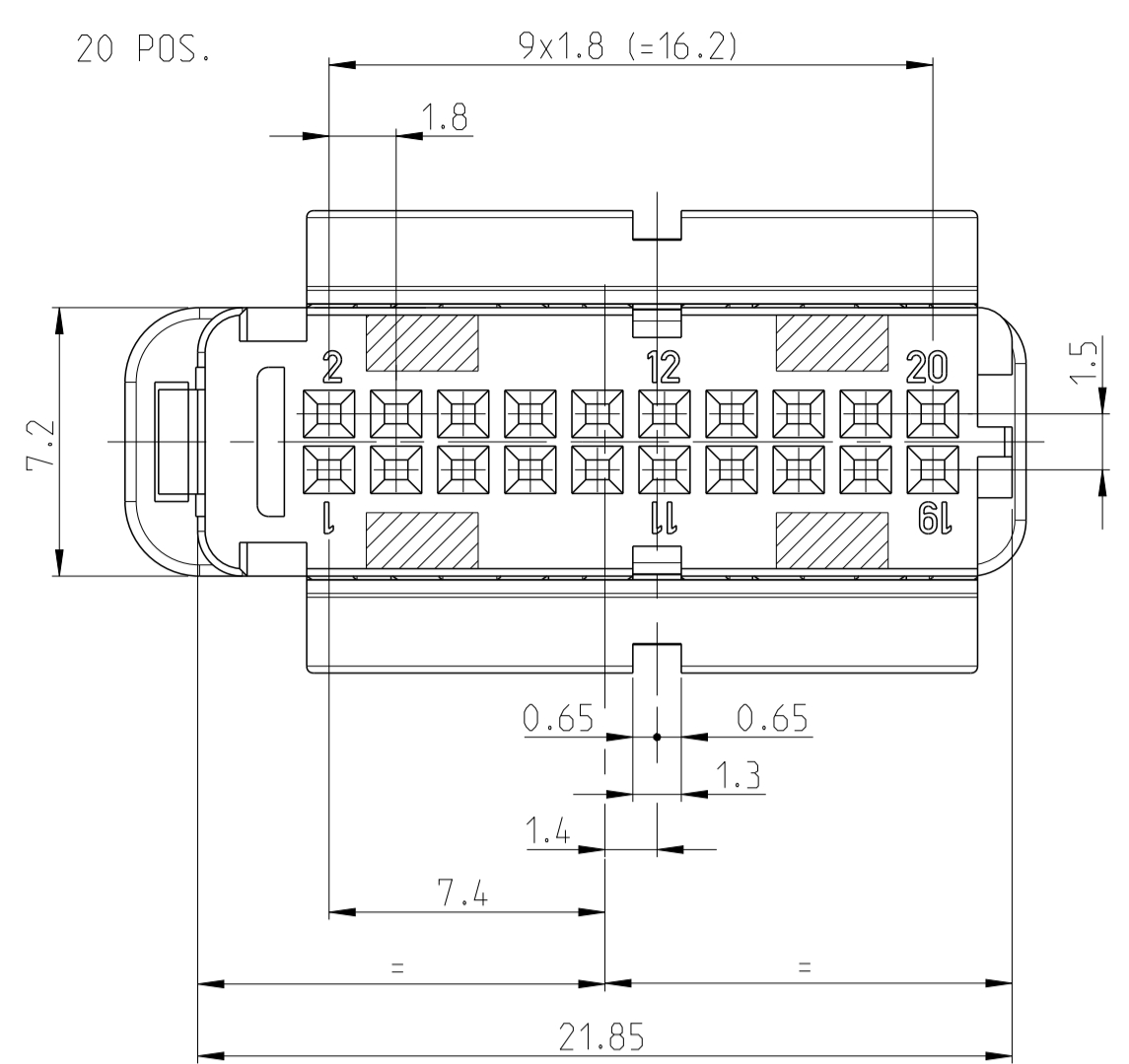
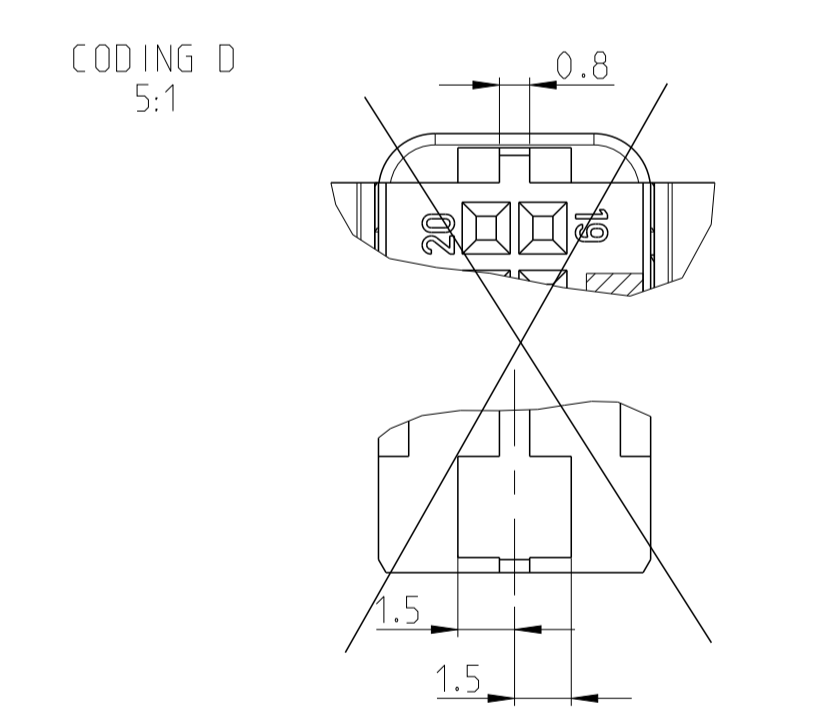
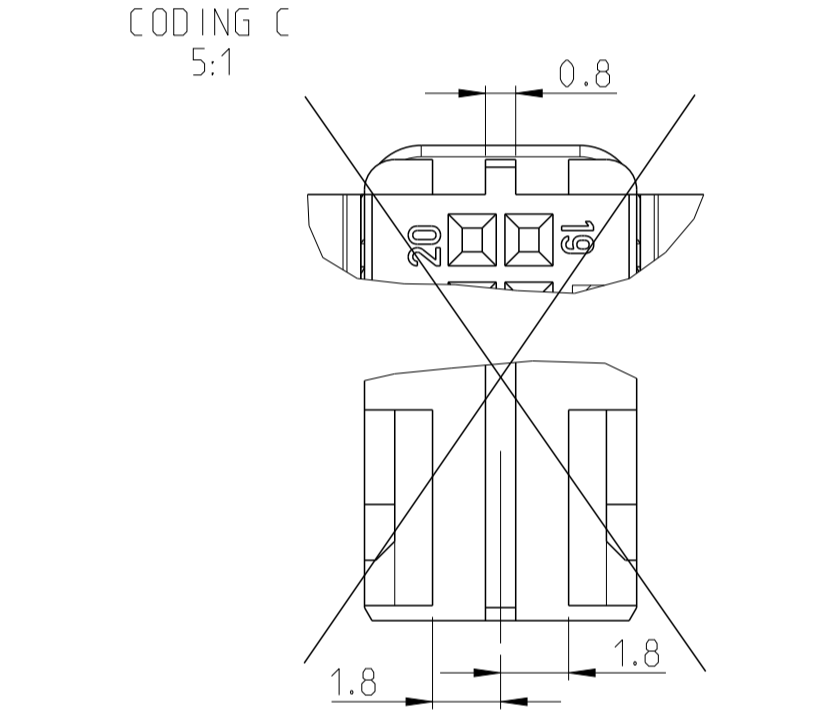
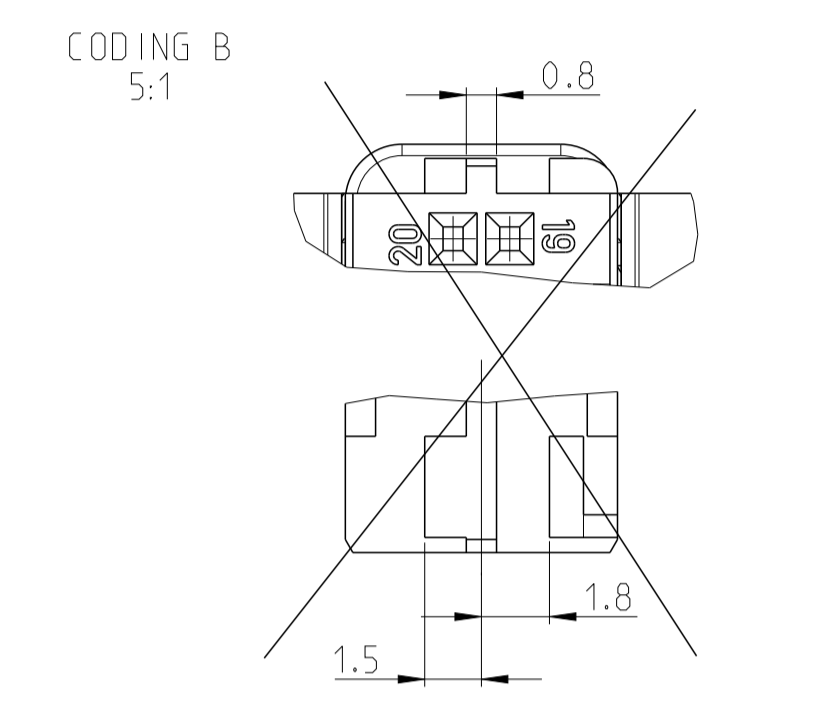
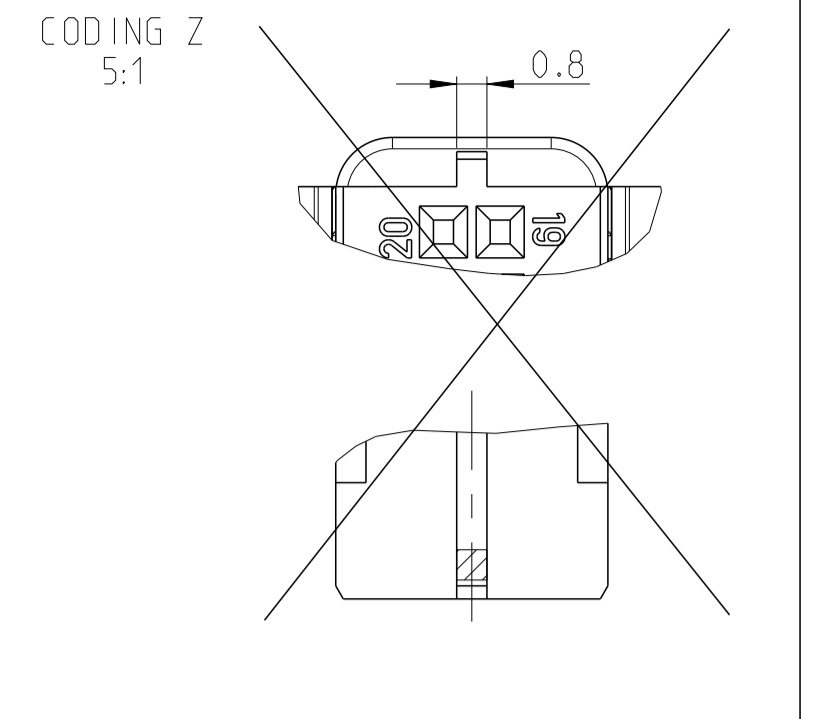
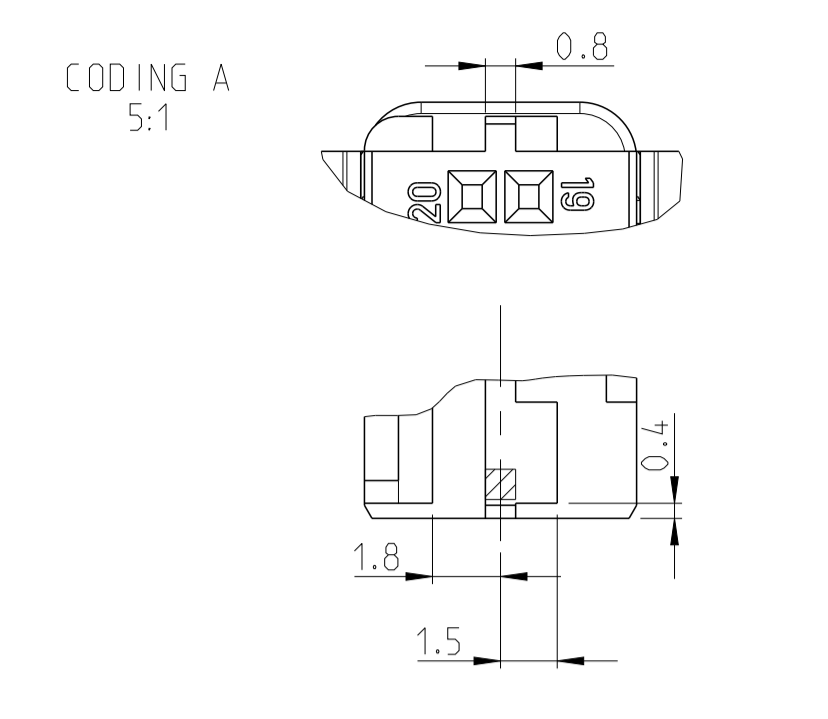


REVISIONS				
P.	LTN	DESCRIPTION	DATE	APVD
A		NEW RELEASE	20NOV2022	R.L. J.Z
A1		ADD NOTE 8	9JAN2023	R.L. J.Z

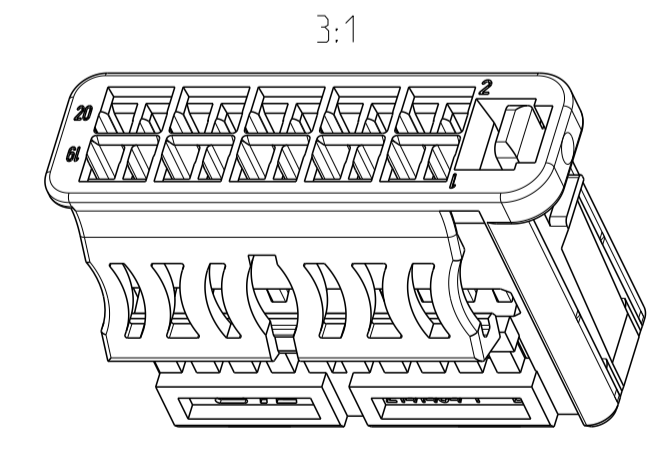
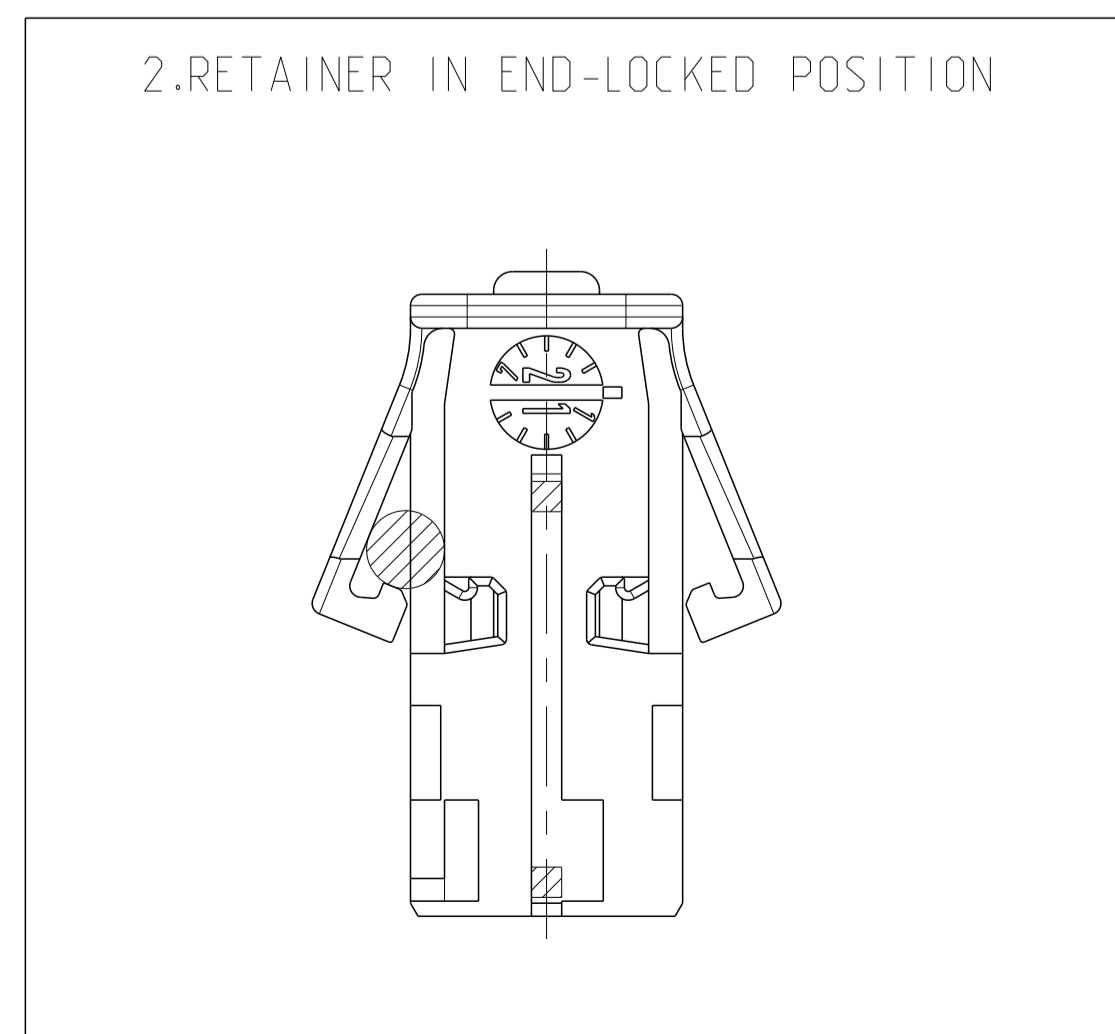


NOTES

- SUITABLE FOR CONTACT SEE DRAWING
- PERTAINING INTERFACE (SHROUD) SEE DRAWING: TE: 114-94000-11
- THE MANUFACTURER CAN CHANGE DETAILS OF THE DESIGN
- PART LINE PERMITTED MAX. 0.3
- SPLIT LINE PERMITTED MAX. 0.3
- PACKAGING: LOOSE PIECE
- CONDITION ON DELIVERY: SECONDARY LOCKING DEVICE IN PRELOCKING POSITION - IF IN ENDLOCKING POSITION AFTER TRANSPORTATION, PLEASE RELOCK IN ACCORDANCE TO APPLICATION SPEC.
- **2438782** IS SUZHOU VERSION OF **214104** - BOTH HAVE THE SIMILAR PERFORMANCE.

CAVITIES	ALL CAVITIES
SOCKET CONTACT	Nano MQS
max.DGB (mm ²)	0.35mm ² FLR
Zeichnung TE	1703930

POS.	TE ORDER NO.	REV.	COD.	COLOR	WEIGHT	SUITABLE TO PINHEADER
20	0-2438782-9	A	Z	WATERBLUE	1.9	
	0-2438782-4	A	D	CLARET VIOLET		
	0-2438782-3	A	C	BLUE		
	0-2438782-2	A	B	NATURAL		
	0-2438782-1	A	A	BLACK		
14	0-2208340-9	A	Z	WATERBLUE	1.3	
	0-2208340-4	A	D	CLARET VIOLET		
	0-2208340-3	A	C	BLUE		
	0-2208340-2	A	B	NATURAL		
	0-2208340-1	A	A	BLACK		
10	0-2208339-9	A	Z	WATERBLUE	1.1	
	0-2208339-4	A	D	CLARET VIOLET		
	0-2208339-3	A	C	BLUE		
	0-2208339-2	A	B	NATURAL		
	0-2208339-1	A	A	BLACK		
6	0-2208338-9	A	Z	WATERBLUE	0.9	
	0-2208338-4	A	D	CLARET VIOLET		
	0-2208338-3	A	C	BLUE		
	0-2208338-2	A	B	NATURAL		
	0-2208338-1	A	A	BLACK		



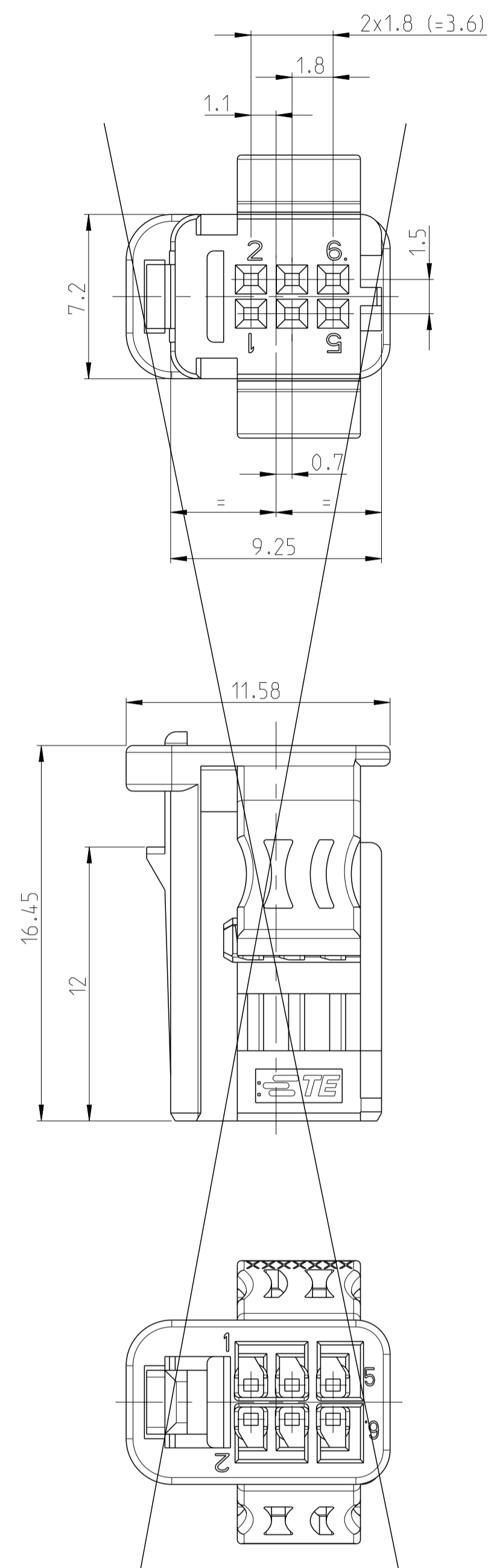
THIS DRAWING IS A CONTROLLED DOCUMENT. DIMENSIONING AND TOLERANCING PER GPS (ISO STANDARDS)

OWNER: R.L. J.Z. DATE: 20NOV2022
 CHECKED: T.DONG DATE: 20NOV2022
 APPROVED: J.ZONG DATE: 20NOV2022

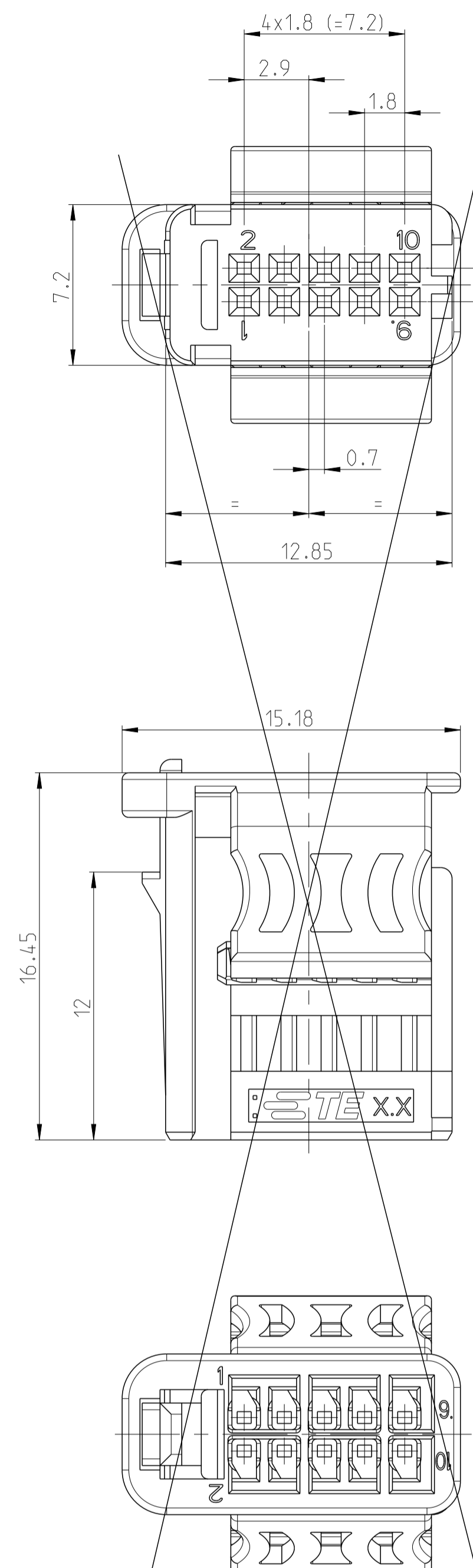
TE Connectivity
STE
 NAME: 6-20 POS., NanoMQS, REC. HOUSING
 PRODUCT SPEC: 108-94288-0
 APPLICATION SPEC: 114-94033
 WEIGHT: SEE SHEET 1
 MATERIAL: SEE SHEET 1
 FINISH: SEE SHEET 1
 CUSTOMER DRAWING

SIZE: A1 | 00779 | C=2441155
 SCALE: 5:1 | SHEET 1 OF 2 | REV A1

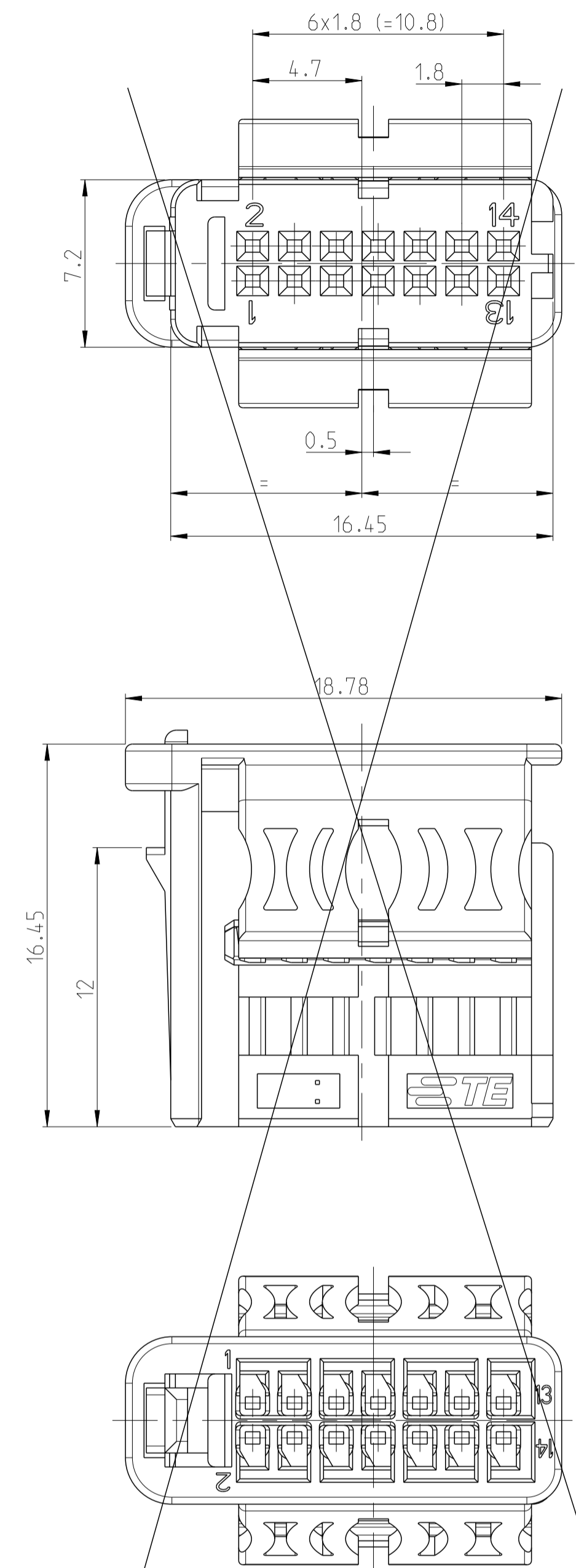
6 polig/POS.



10 POS.



14 POS.



REVISIONS				
P.	LTN	DESCRIPTION	DATE	APVD
A		SEE SHEET 1	20NOV2022	R.L. J.Z
A1		SEE SHEET 1	9JAN2023	R.L. J.Z

THIS DRAWING IS A CONTROLLED DOCUMENT. DIMENSIONING AND TOLERANCING PER GPS (ISO STANDARDS)		DWN: R.L. 20NOV2022	 TE Connectivity	NAME: 6-20 POS., NanoMQS, REC. HOUSING
DIMENSIONS: mm		CHK: T.DONG 20NOV2022		
TOLERANCES UNLESS OTHERWISE SPECIFIED: 0 PLC ±0.1 1 PLC ±0.15 2 PLC ±0.2 3 PLC ±0.25 4 PLC ±0.3 5 PLC ±0.4 6 PLC ±0.5		APVD: J.ZONG 20NOV2022	SIZE: 108-94288-0	RESTRICTED TO:
MATERIAL: SEE SHEET 1		FINISH: SEE SHEET 1	APPLICATION SPEC: 116-94033	SCALE: 5:1
CUSTOMER DRAWING		WEIGHT: SEE SHEET 1	116-94033	SHEET 2 OF 2
			00779	REV A1