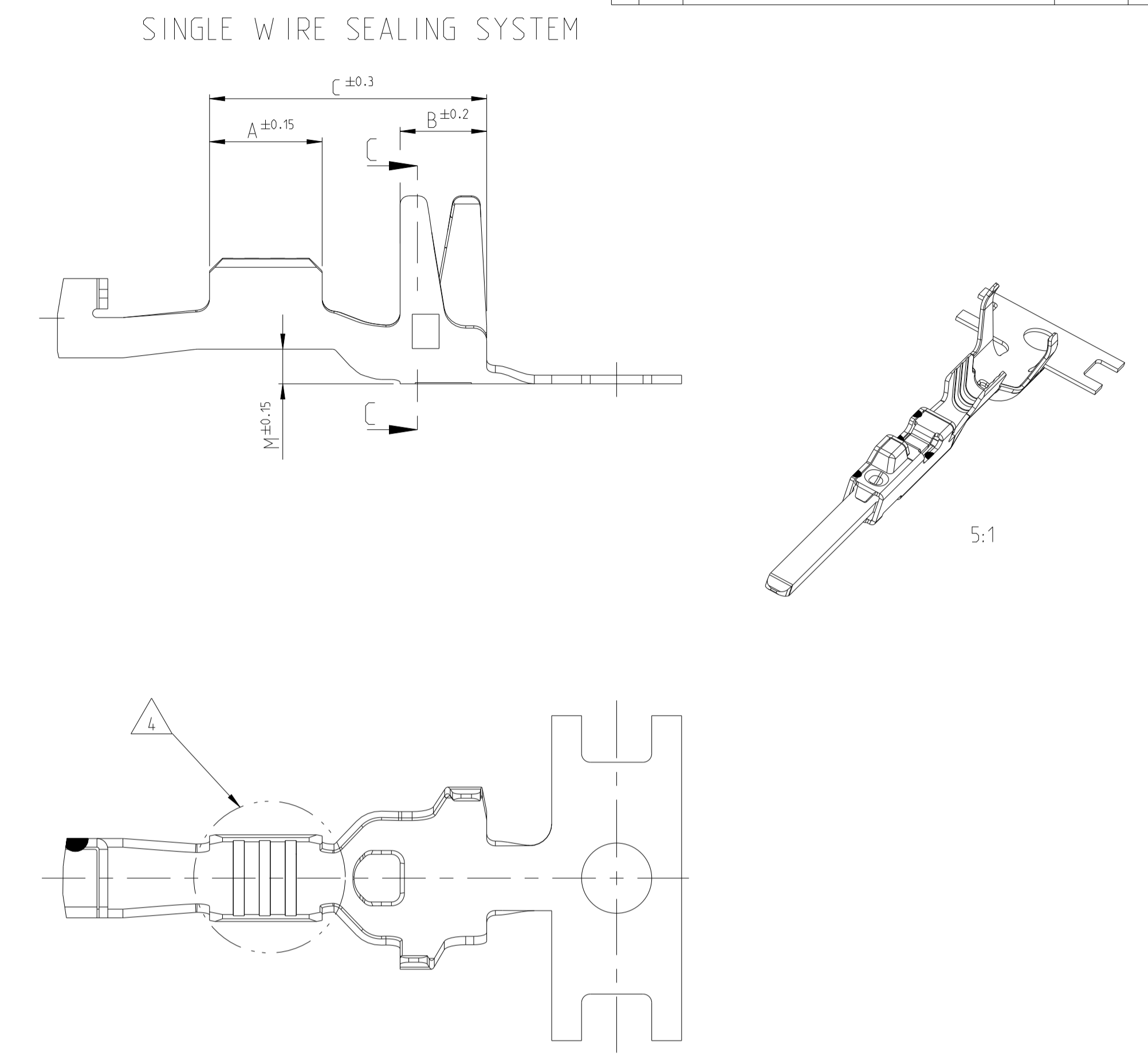
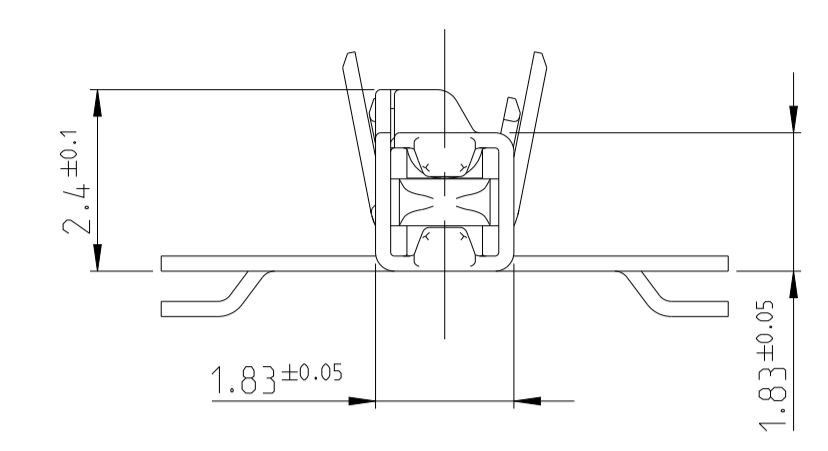
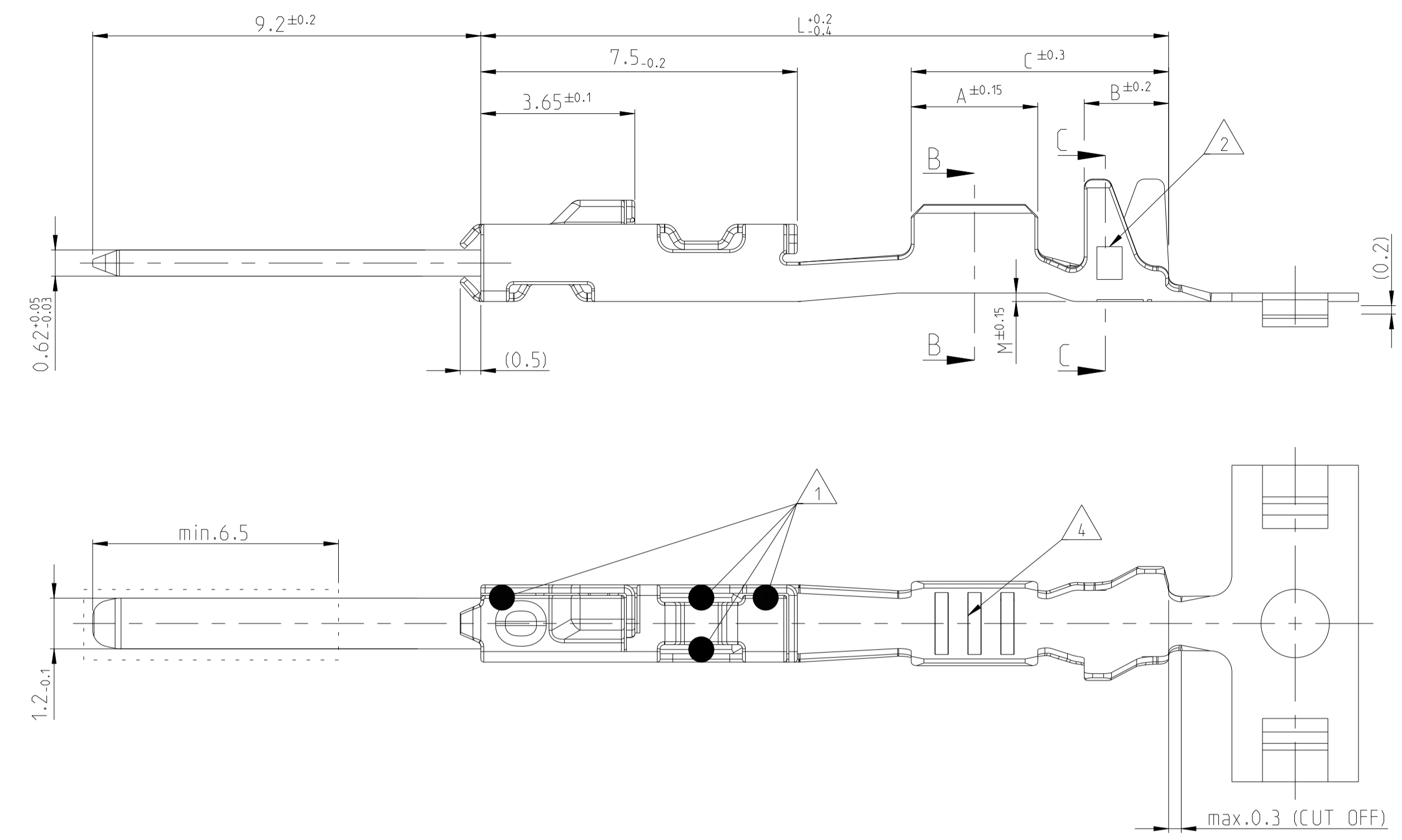
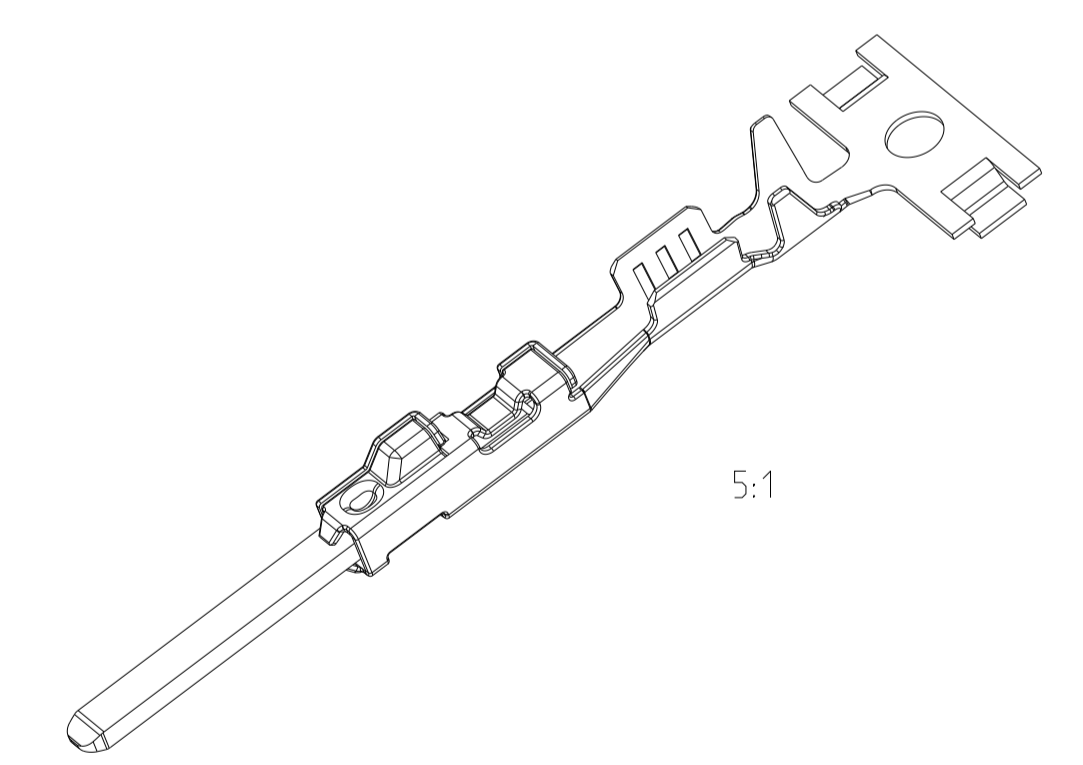


REVISIONS				
P	LTN	DESCRIPTION	DATE	APVD
A		INITIAL RELEASE	11NOV2022	C.X W.Z



WIRE- CRIMP	STANDARD INSULATION CRIMP	SINGLE WIRE CRIMP
B-B	C-C	C-C

- 1 LASER WELDED
- 2 REVISION STATUS
- 3 RETENTION FORCE INSERT TAB PUSHED INSIDE BODY MIN. 40N
- 4 DIFFERENT FORM OF THE SERRATIONS AND WIRE-CRIMP POSSIBLE
- 5 SEE APPLICATION SPECIFICATION TE-SPEC. 114-18464



P/N	REV	WIRE RANGE (mm <sup>2</sup> )	INSULATION-Ø (mm)	BODY	TAB	BODY	TAB	LENGTH	WIRE CRIMP	INSULATION CRIMP	DIMENSION (mm)	INSULATION CRIMP FOR
				MATERIAL		SURFACE						
2438919-1	A	0.5-0.75	1.4-1.9	CuSn4	CuSn0.15/0.20	TIN PLATED	TIN PLATED	A = 2.6 B = 2.0 C = 6.4	E = 2.0 G = 2.1 D <sub>br</sub> = 1.1	H = 4.2 K = 4.3 D <sub>iso</sub> = 2.7 M = 0.8	16.3	SINGLE WIRE SEALING SYSTEM 5
2438913-1	A	0.25-0.35	1.1-1.6	CuSn0.15/0.20	CuSn0.15/0.20	TIN PLATED	TIN PLATED	A = 2.6 B = 2.0 C = 5.7	E = 1.8 G = 1.8 D <sub>br</sub> = 0.8	H = 2.6 K = 2.6 D <sub>iso</sub> = 1.4 M = 0.2	15.3	FLR CABLE 5

THIS DRAWING IS A CONTROLLED DOCUMENT.

DIMENSIONS: mm	TOLERANCES UNLESS OTHERWISE SPECIFIED:	0 PLC # # # # #	1 PLC # # # # #	2 PLC # # # # #	3 PLC # # # # #	4 PLC # # # # #	ANGLES # # # °	FINISH # # # # #			
MATERIAL		WEIGHT		SCALE	10:1	SHEET	1	OF	1	REV	A

Customer Drawing

TE Connectivity

MCON 1.2 TAB-CB-TERMINAL GROUP DRAWING

SIZE: A | 00779 | C=2438913