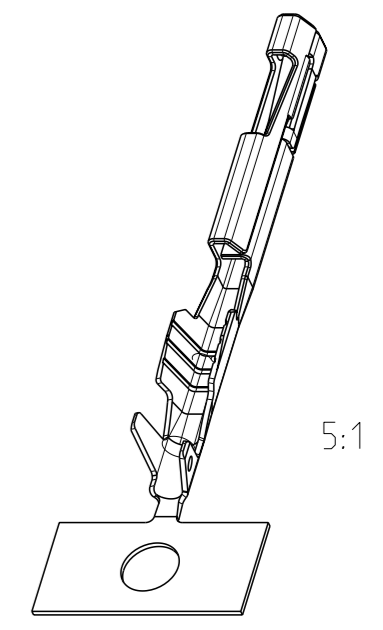
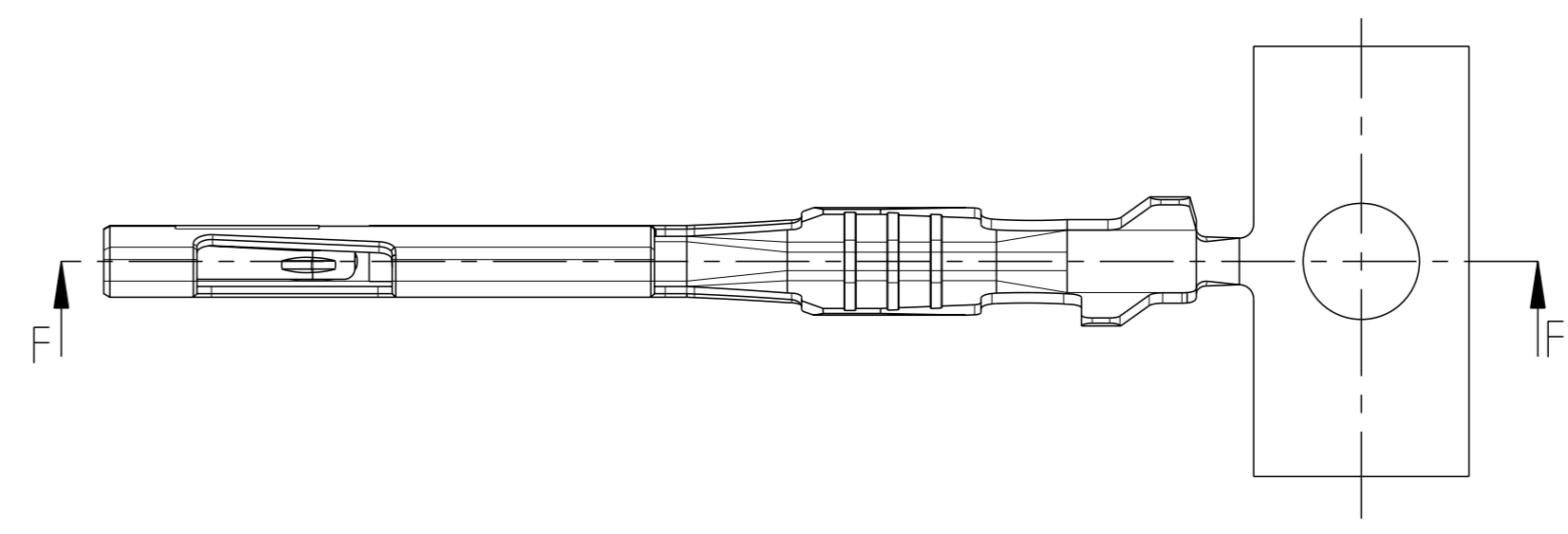
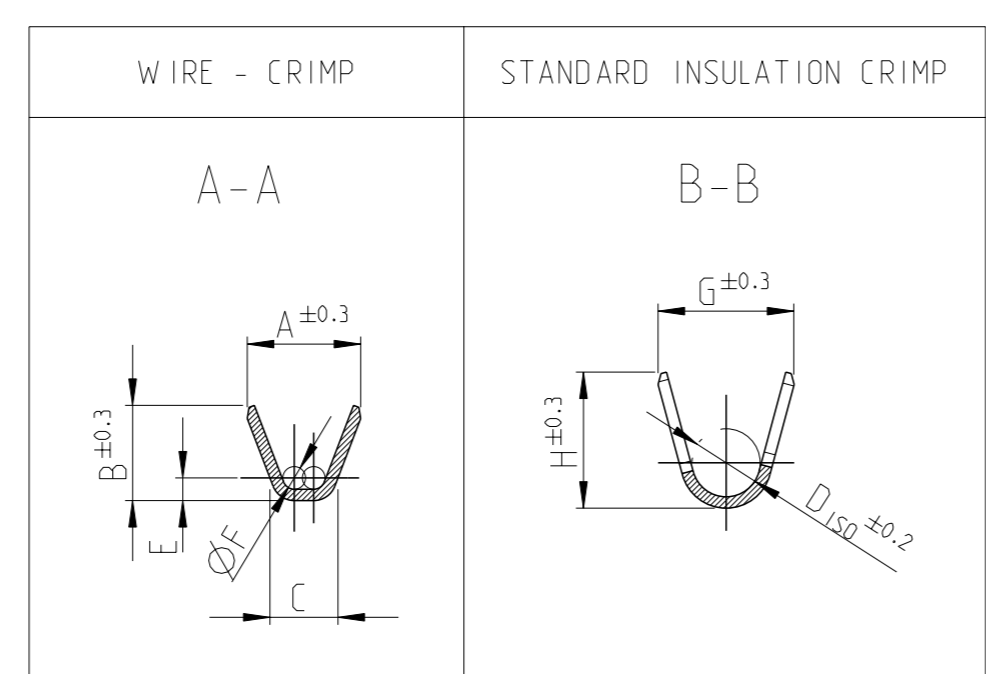
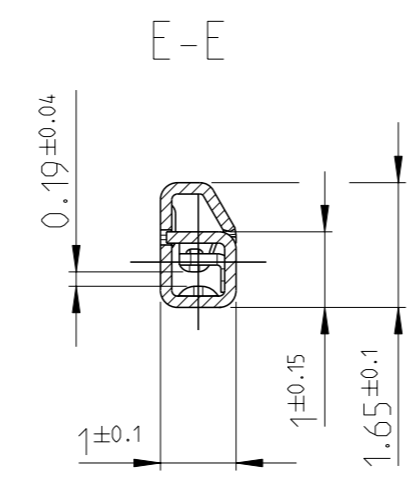
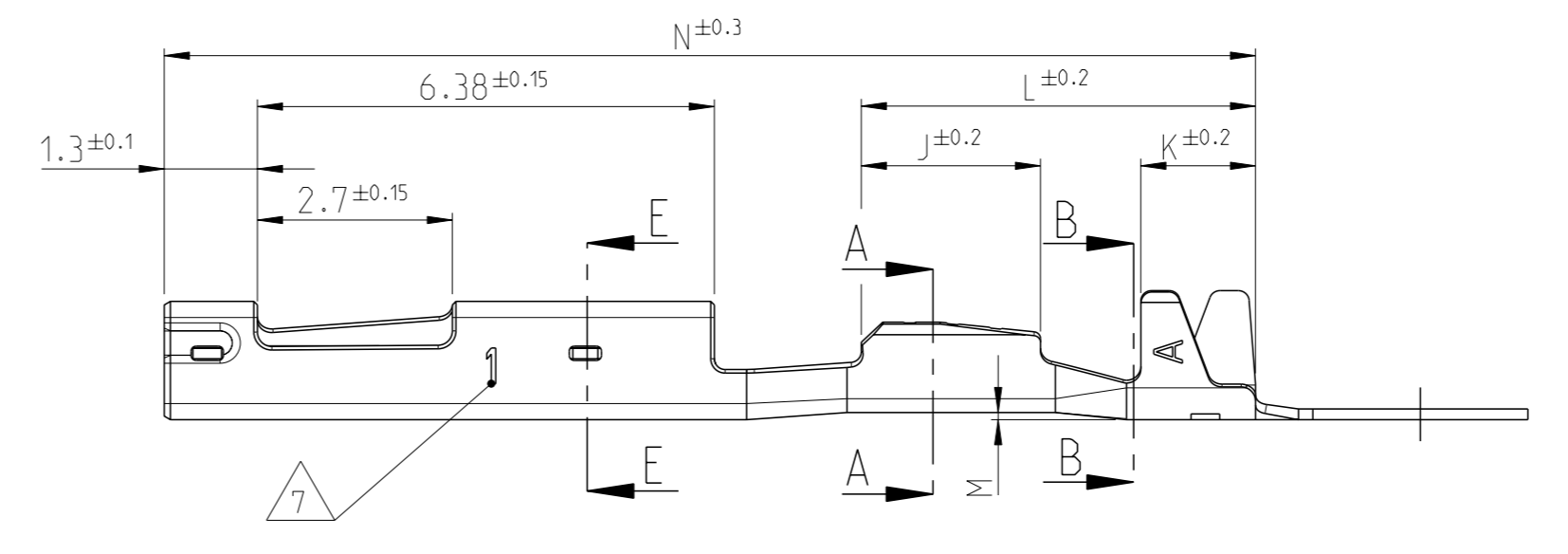
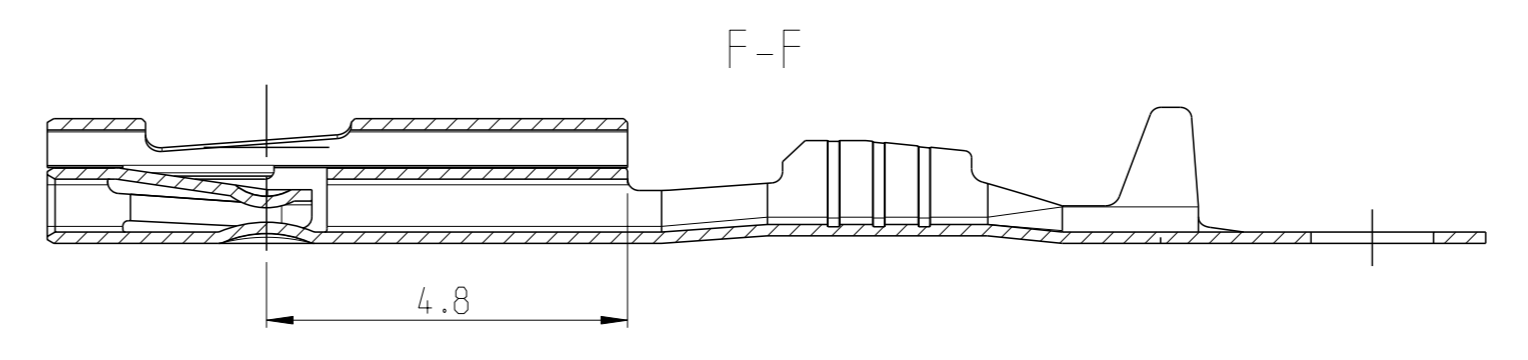
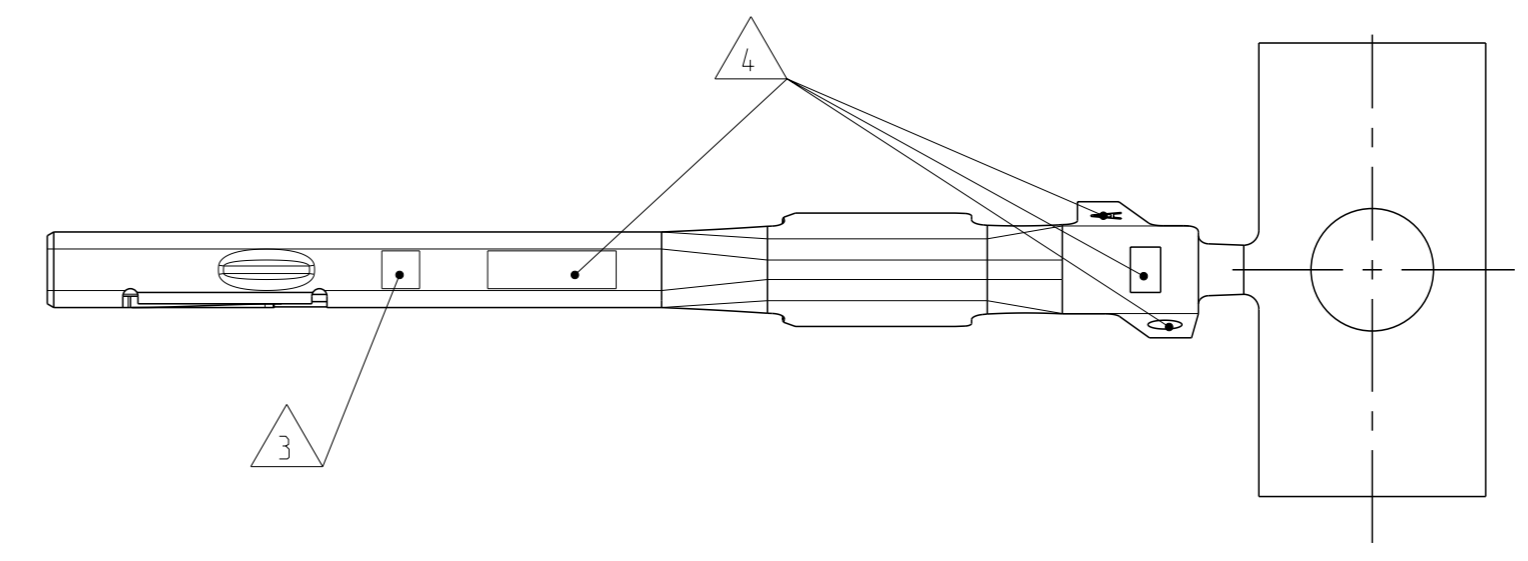


REVISIONS				
#	CT#	DESCRIPTION	DATE	OWN / APVD
A		NEW RELEASE	23NOV2022	J.G / W.Z
A1		REVISE	13JAN2023	J.Z / W.Z

NOTES

- 1 FOR FLR-WIRE SEE DIN 72551, PART 6
- 2 SURFACE
 - 0.8...2.2µm Sn
 - min. 0.8µm Gold
 - 1.6-5µm SILVER

- 3 STAMPED INDICATOR FOR PLATING
- 4 TE Logo, REVISION STATUS, DATE CODE
- 5 ONLY THE GERMAN LANGUAGE VERSION SHALL BE BINDING
- 6 DETAILS OF DESIGN ARE LEFT TO MANUFACTURER
- 7 TRACK ALLOCATION IN TWO TRACK DIES
- 8 SUZHOU VERSION PN, SIMILAR WITH GLOBAL PN



VERSION	ORDER- NO. STRIP FORM	Rev.	MATERIAL	SURFACE	MARKING	WIRE-SIZE RANGE	WIRE - CRIMP										STANDARD INSULATION CRIMP					SIMILAR WITH GLOBAL PN
							A	B	C	E	F	G	H	D _{ISO}	J	K	L	M	N			
HIGH PERFORMANCE	1-2438891-1	A	CuNiSi	Sn	2St	0.22 - 0.35	1.7	(1.5)	1.05	0.3	0.3	1.8	(1.9)	0.9	2.5	1.6	5.5	0.1	15.25	1-2177909-1		
	1-2438891-2	A		Au	2G															1-2177909-2		
	0-2438891-3	A		Ag	2H																	
STANDARD	2438891-1	A	CuSn8	Sn	2															2177909-1		
HIGH PERFORMANCE	1-2438889-1	A	CuNiSi	Sn	1St	0.13 - 0.17	1.5	(1.26)	0.9	0.3	0.3	1.8	(1.8)	0.9	2.5	1.6	5.5	0.1	15.25	1-2177908-1		
	1-2438889-2	A		Au	1G																	
	0-2438889-3	A		Ag	1H																	
STANDARD	0-2438889-1	A	CuSn8	Sn	1																	

volume Volumen	0.01	cm ³
density Dichte	8.9	g/cm ³
weight WITH CARRIER STRIP Gewicht mit Trägerstreifen	0.09	g

DIESE ZEICHNUNG IST EIN KONTROLLIERTES DOKUMENT. BEMASSUNGEN UND TOLERANZEN GEMAESS GPS (ISO STANDARDS).

THIS DRAWING IS A CONTROLLED DOCUMENT. DIMENSIONING AND TOLERANCING PER GPS (ISO STANDARDS).

TOLERANCING ISO 8015
TOLERIERUNG ISO 8015

DIMENSIONS: mm

TOLERANCES UNLESS OTHERWISE SPECIFIED: ±0.15

1 PLC ±0.1
2 PLC ±0.1
3 PLC ±0.005
4 PLC ±0.0001

FINISH: -

MATERIAL: TBD

APVD: J.GU, W.ZHANG, J.GU

DATE: 23NOV2022, 23NOV2022, 22NOV2022

PRODUCT SPEC: 108-94342

APPLICATION SPEC: 116-94191

WEIGHT: -

CUSTOMER DRAWING

TE TE Connectivity

NAME: Nano MQS, TERMINAL
NanoMQS, Buchsenkontakt

SIZE: A | CAGE CODE: 00779 | DRAWING NO: C=2438889

RESTRICTED TO: -

SCALE: 10:1 | SHEET: 1 OF 1 | REV: A1