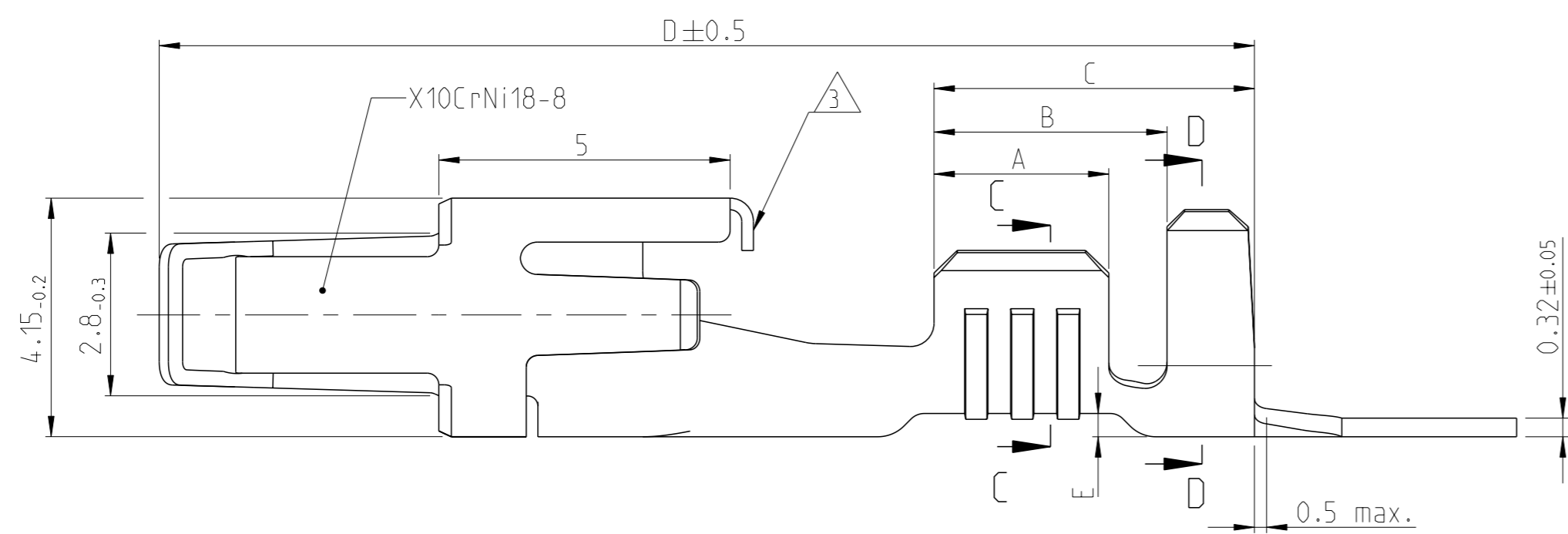
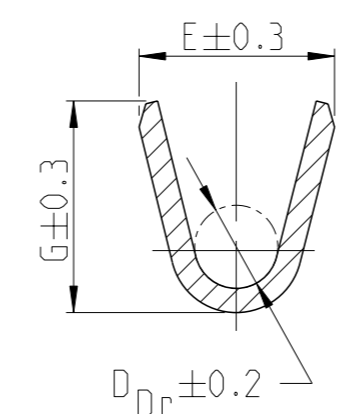


REVISIONS				
#	DATE	DESCRIPTION	OWN	APVD
A	22NOV2022	INITIAL RELEASE	J.Z	W.Z
A1	11JAN2023	REVISE	J.Z	W.Z

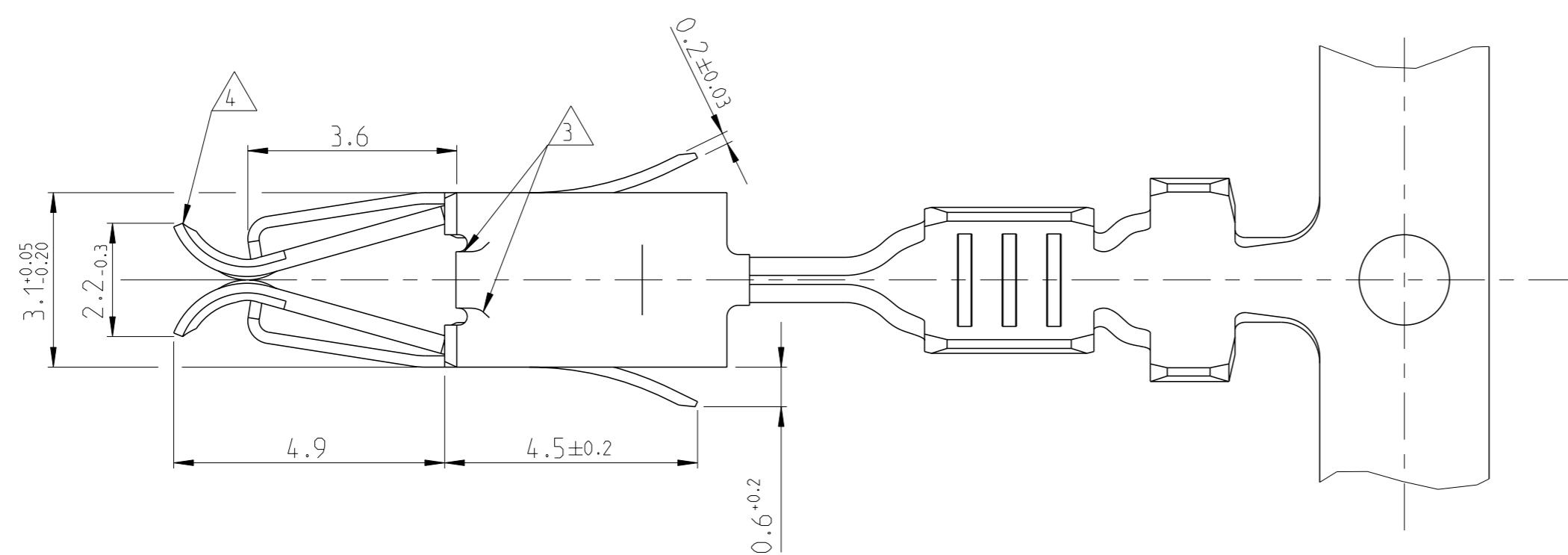
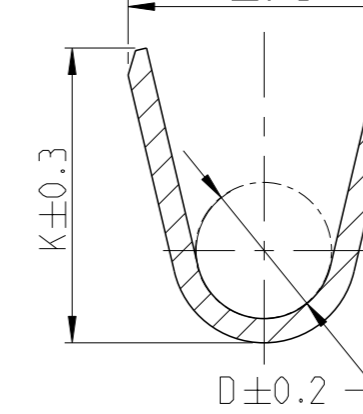
DESIGN 1



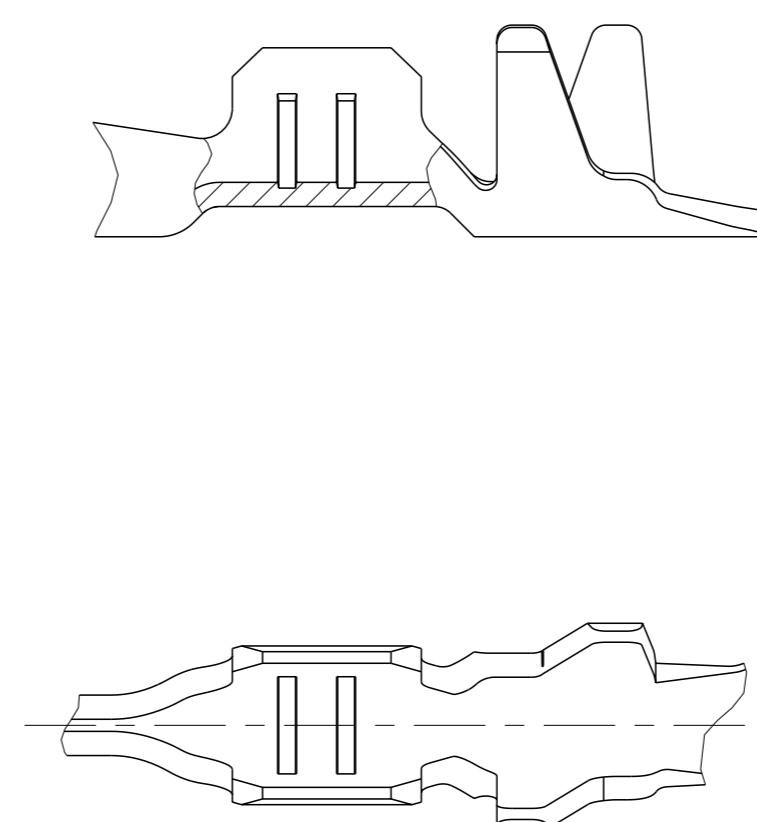
SECTION C-C



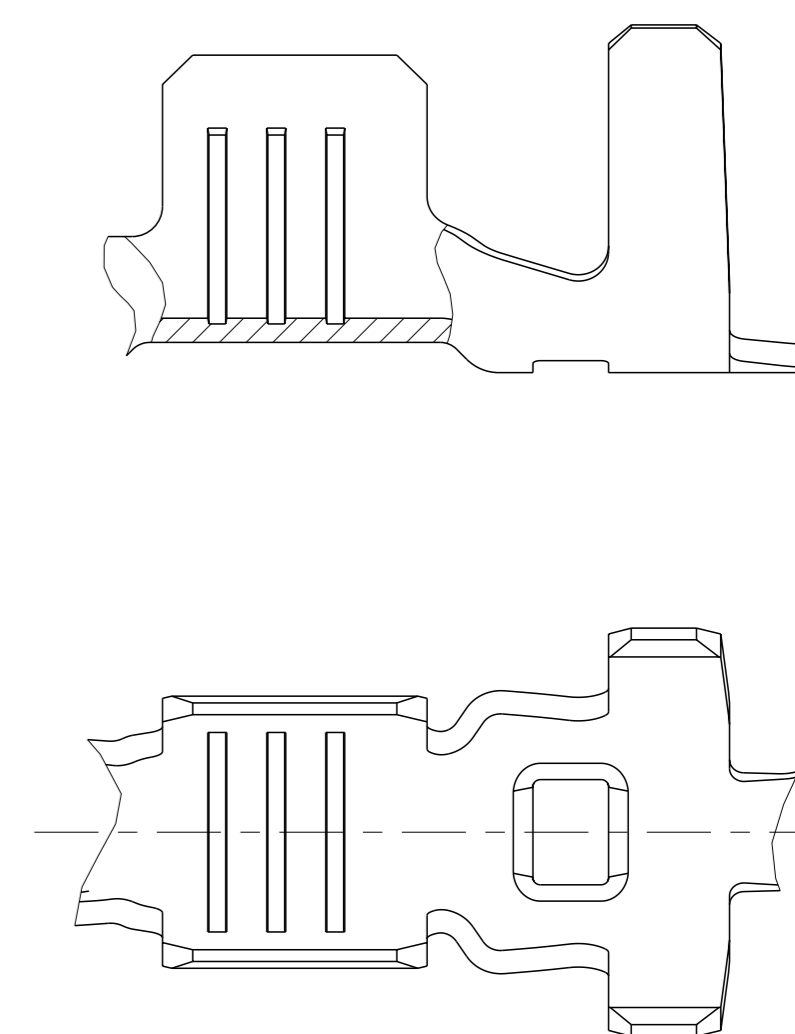
SECTION D-D



DESIGN 2



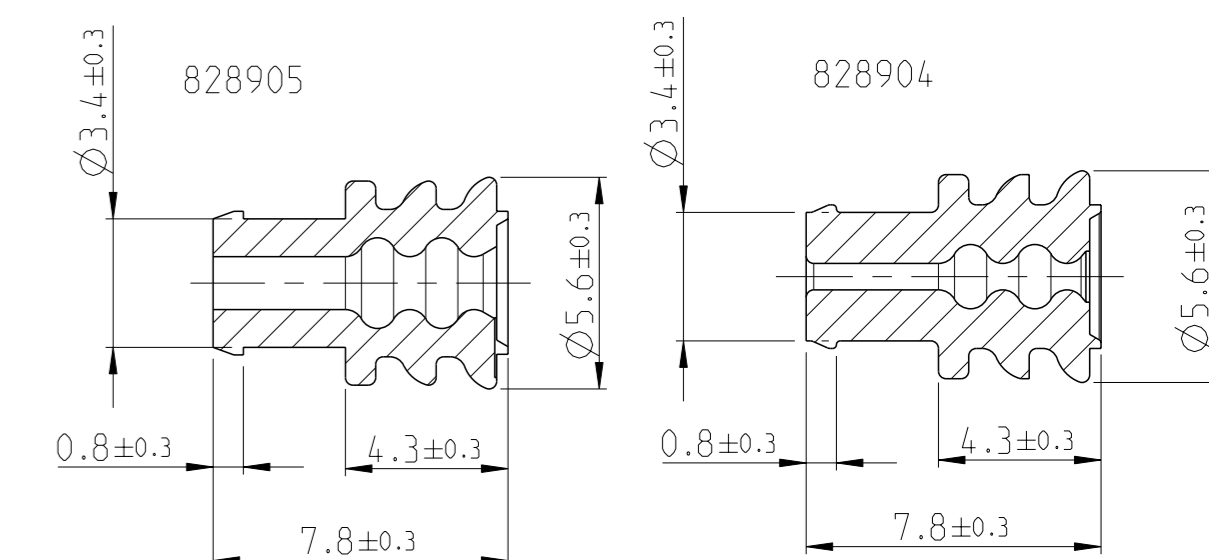
DESIGN 3



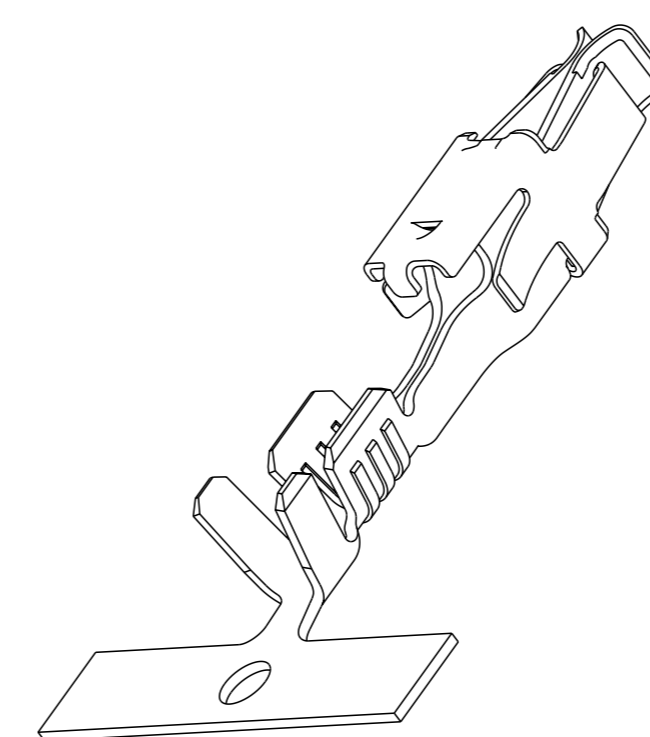
NOTES

- 1 CONTACT BODY PRE-SILVER PLATED MIN. 0.8µm  
CONTACT ZONE SELECTIVE PRE-SILVER PLATED MIN. 3µm
- 2 CONTACT ZONE GOLD PLATED MIN. 0.8µm OVER MIN. 1.3µm NICKEL-LAYER  
CRIMP AREA MIN.1µm TIN PLATED OVER NICKEL-LAYER
- 3 CONTACT OFF OPTIONAL
- 4 SAWAG ONLY FOR PN 2435179
- 5 ACCORDING INSULATION DIA IS TO CHOOSE THE SINGLE WIRE SEAL
- 6. 1 IS SUZHOU VERSION PN. SIMILAR WITH GLOBAL PN 1

SINGLE WIRE SEAL 5		
ORDER No.	INSULATION Ø	COLOUR
828904-1	1.2-2.1	blue
828905-1	2.2-3.0	white



UNSEALED	PN	DESIGN	MATERIAL	SURFACE	WIRE RANGE [mm <sup>2</sup> ]	INSULATION Ø [mm]	STRIP FORM		A	B	C	D	E	SIMILAR WITH GLOBAL PN
							WIRE CRIMP	INSUL.-CRIMP						
UNSEALED	2437496-3	1	CuSn4	PRETINNED min. 1µm	>1.0-2.5 FLR	2.1-3.1	E = 3.6 G = 3.8 DDr = 1.8	H = 4.7 K = 4.9 D = 2.6	3.3	4.3	5.8	18.8	1.4	927768-3
	2437496-1		CuFe2											
	2435187-6	1	CuSn4	1	0.5-1.0 FLR	1.4-2.3	E = 2.6 G = 2.8 DDr = 1.1	H = 3.6 K = 3.9 D = 1.8	3	4	5.5	18.8	0.4	927771-6
	2435187-3		CuFe2											927771-3
	2435187-1		CuFe2											927771-1
	2438788-3	2	CuSn4	PRETINNED min. 1µm	0.2-0.5 FLR	1.0-1.6	E = 2.1 G = 2.1 DDr = 0.8	H = 2.7 K = 2.8 D = 1.4	2.5	3.5	5.6	18.8	0.4	927774-3
2438788-1	CuFe2												927774-1	
SINGLE WIRE SEAL	2435069-3	3	CuSn4	PRETINNED min. 1µm	>1.0-2.5 FLR	2.7-3.0	E = 3.6 G = 3.8 DDr = 1.8	H = 5.4 K = 4.6 D = 3.2	3.5	5.9	7.5	18.8	0.4	927766-3
	2-2435179-1	3	CuSn4	2	0.5-1.0 FLR	1.4-2.1	E = 2.6 G = 2.8 DDr = 1.1	H = 5.4 K = 4.6 D = 3.2	3	5.4	7	21	0.6	2-929939-1
	2435179-6			1										929939-6
	2435179-3		PRETINNED min. 1µm											929939-3
	2435179-1		CuFe2											
	2-2437435-1	3	CuSn4	2	0.5-1.0 FLR	1.4-2.1	E = 2.6 G = 2.8 DDr = 1.1	H = 5.4 K = 4.6 D = 3.2	3	5.4	7	18.8	0.6	2-927770-1
2437435-3	PRETINNED min. 1µm													



THIS DRAWING IS A CONTROLLED DOCUMENT.		OWN: J.ZHANG	Z22NOV2022		NAME: JUNIOR POWER TIMER CONTACT PRODUCTOR GROUP DRAWING	
DIMENSIONS: mm		CHK: J.GU	Z22NOV2022		SIZE: 108-18013	
TOLERANCES UNLESS OTHERWISE SPECIFIED:		APVD: W.ZHANG	Z22NOV2022	APPLICATION SPEC: 116-18050		
0 PLC ±0.5 1 PLC ±0.5 2 PLC ±0.13 ±0.2 3 PLC ±0.073 4 PLC ±0.001 ANGLES °M1*		MATERIAL: -		WEIGHT: -		
FINISH: -		CUSTOMER DRAWING		SCALE: 10:1		
SHEET 1 OF 1		REV A1		RESTRICTED TO: -		