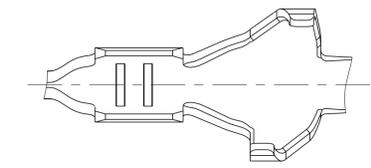
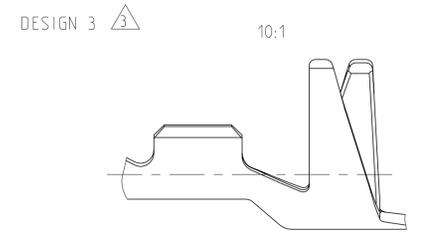
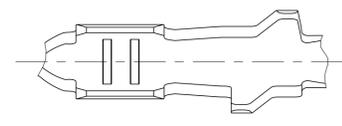
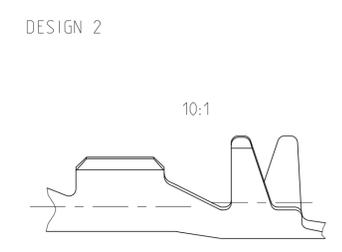
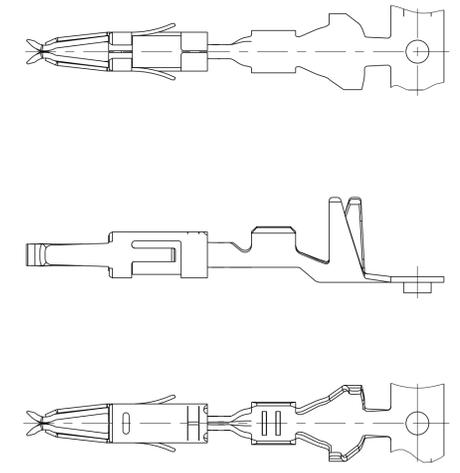
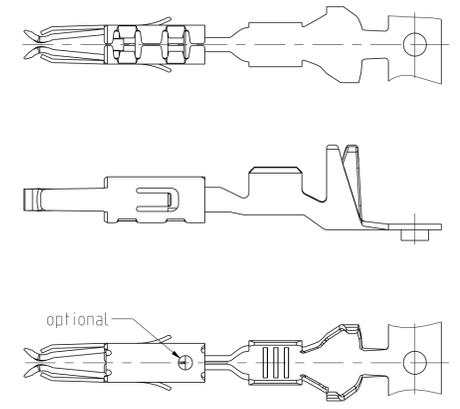
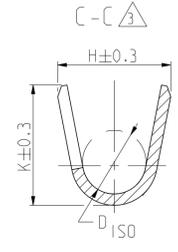
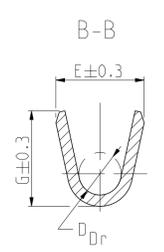
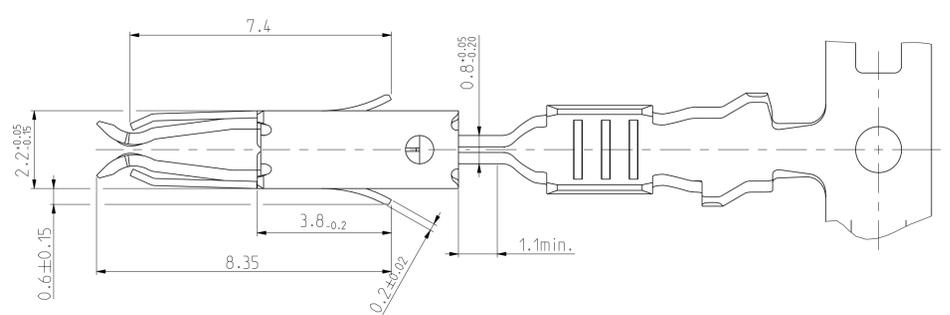
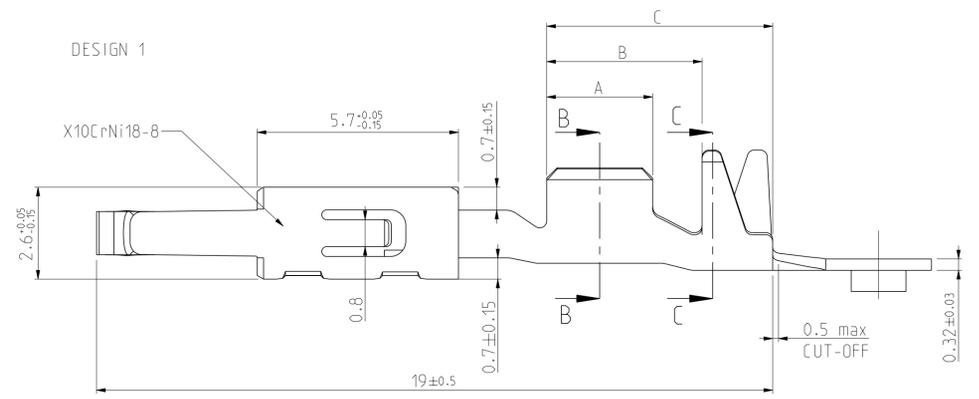


REVISIONS					
#	CT#	DESCRIPTION	DATE	OWN	APVD
A		INITIAL RELEASE	22NOV2022	J.Z	W.Z
A1		REVISE	12JAN2023	J.Z	W.Z

SPRING
DIFFERENT TOOL DETAILS
FUNCTION AND HANDLING WITH
ALL DETAILS CONTINUOUSLY
SUPPLY BASED ON AVAILABILITY

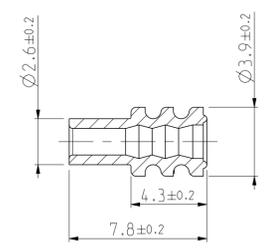
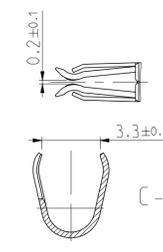


1 ACCORDING INSULATION DIA IS TO CHOOSE THE SINGLE WIRE SEAL

2 VARIANTS WITH GAP-SIZE 0.2mm

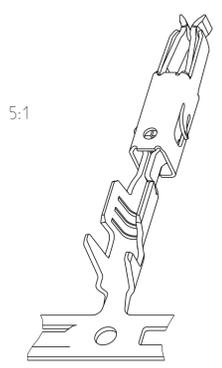
3 ADDITIONAL INFORMATION FOR SINGLE WIRE SEAL VERSIONS

4 IS SUZHOU VERSION PN. SIMILAR WITH GLOBAL PN



SINGLE WIRE SEAL 1		
964972-1	1.9-2.1	YELLOW
963530-1	1.4-1.9	GREY
964971-1	1.2-1.6	RED
ORDER No.	INSULATION Ø	COLOUR

5:1



UNSEALED	PN	DESIGN	MATERIAL	SURFACE	WIRE RANGE [mm²]	INSULATION Ø [mm]	WIRE CRIMP	CRIMP DIMENSION mm	A	B	C	1241730-2
2434815-2	3	CuFe 2	PRETINNED	0.2-0.5 FLR	1.15-1.6	E = 2.1 G = 2.1 DDr = 0.8	H = 4.3 K = 4.8 D ISO = 2.6					1241730-2
2437299-2	2	CuFe 2	PRETINNED	0.2-0.5 FLR	1.15-1.6	E = 2.1 G = 2.1 DDr = 0.8	H = 2.9 K = 2.9 D ISO = 1.4					1241858-2
							STRIP FROM INSUL.-CRIMP					
												SIMILAR WITH GLOBAL PN

THIS DRAWING IS A CONTROLLED DOCUMENT.

DIMENSIONS: mm	TOLERANCES UNLESS OTHERWISE SPECIFIED:	OWN: J.ZHANG	22NOV2022	 TE Connectivity
	0-PLC ±0.5	CHK: J.GU	22NOV2022	
	1-PLC ±0.5	APVD: W.ZHANG	22NOV2022	
	2-PLC ±0.13 ±0.2			
MATERIAL: -	FINISH: -	NAME: MICRO TIMER 3 CONTACT PRODUCT GROUP DRAWING	SIZE: 116-180B1	RESTRICTED TO: -
CUSTOMER DRAWING		SCALE: 5:1	SHEET: 1 of 1	REV: A1