

THIS DRAWING IS UNPUBLISHED.

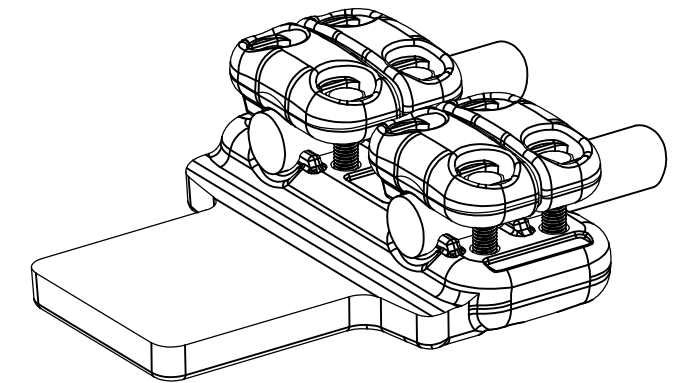
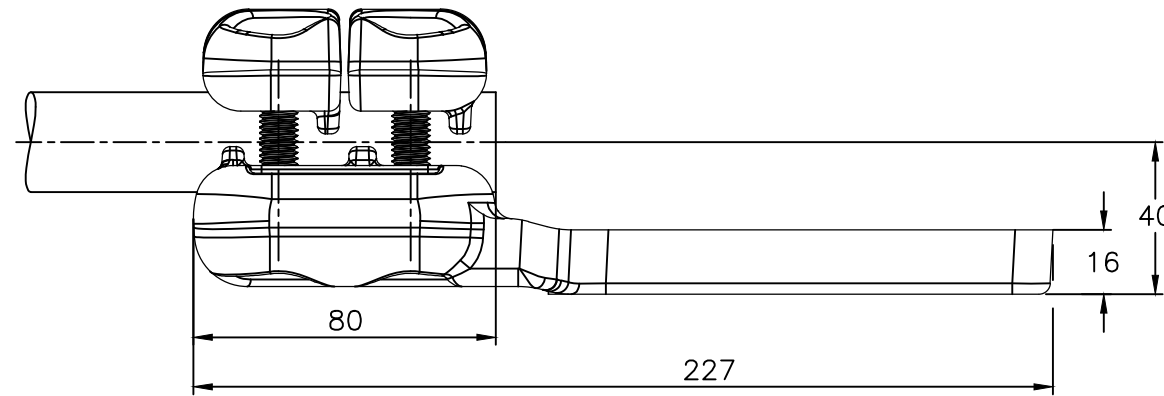
RELEASED FOR PUBLICATION

ALL RIGHTS RESERVED.

© COPYRIGHT - By -

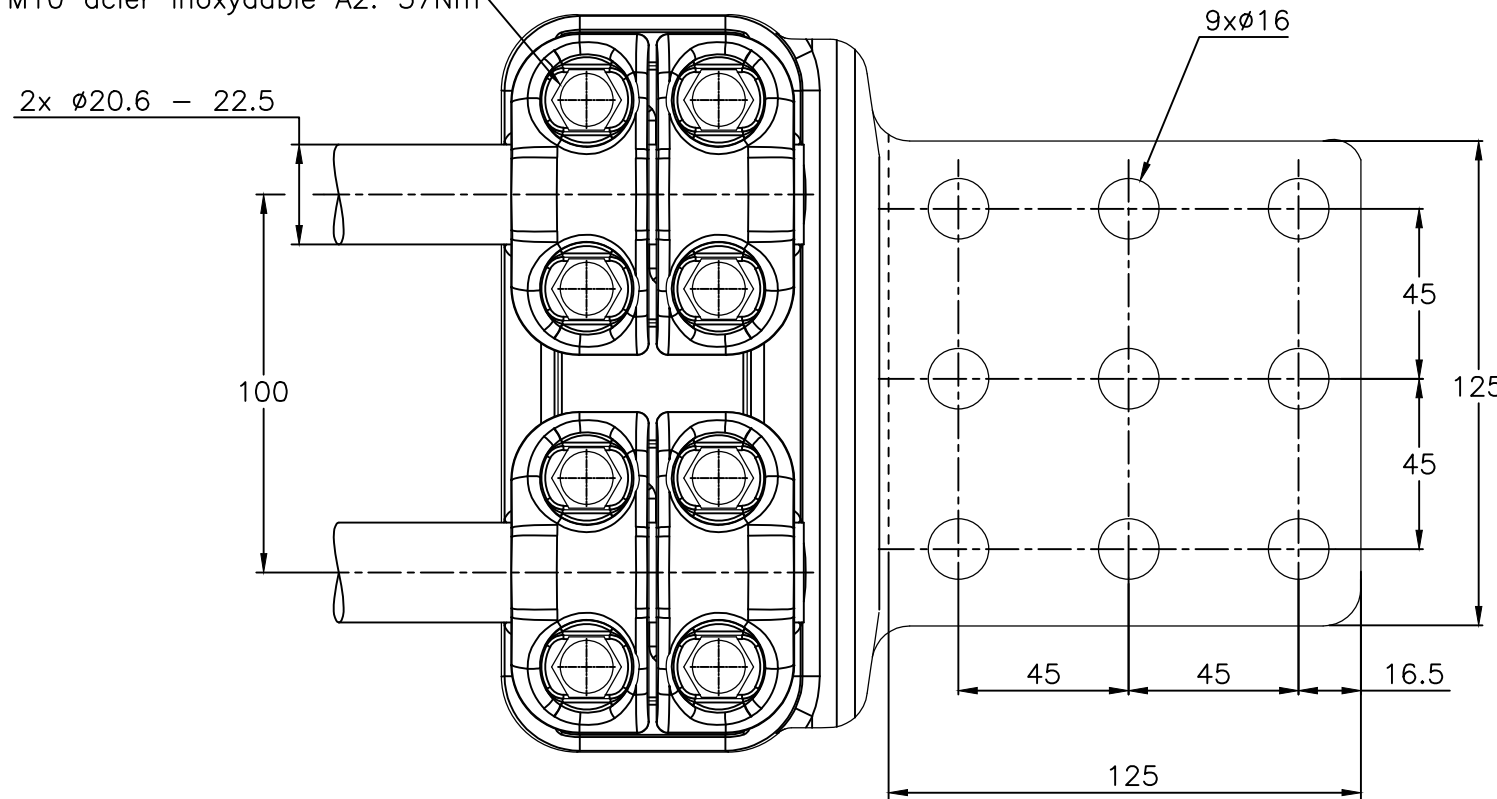
REVISIONS

P	LTR	DESCRIPTION	DATE	DWN	APVD
	A	CREATION	21-AUG-19	GL	-



No scale
Sans échelle

M10 Bolts stainless steel A2: 37Nm
Boulons M10 acier inoxydable A2: 37Nm



THIS DRAWING IS A CONTROLLED DOCUMENT.

DWN 21-AUG-19
LAFORGE

CHK -

APVD -

PRODUCT SPEC

108-69096-001

APPLICATION SPEC

APPROX.WEIGHT 2.6 kg

CUSTOMER DRAWING



NAME
Pad connector for twin cables
Raccord à plage pour faisceau double
5 PD 82 F S225 E100 125 C41

SIZE	CAGE CODE	DRAWING NO	RESTRICTED TO
A3	00779	C=2360995	-

SCALE	SHEET	REV
1:2	1 OF 1	A

ITEM:.....