

4

3

2

1

THIS DRAWING IS UNPUBLISHED.

RELEASED FOR PUBLICATION

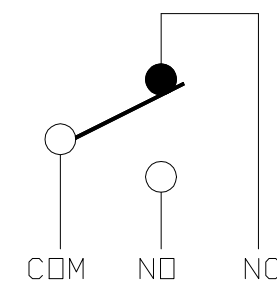
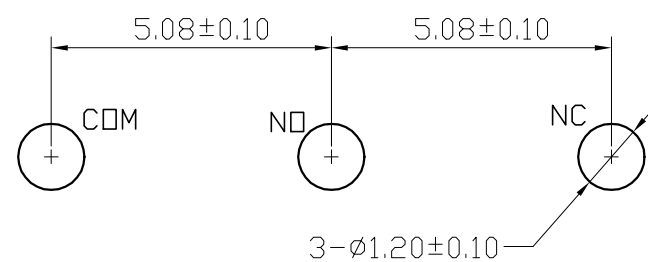
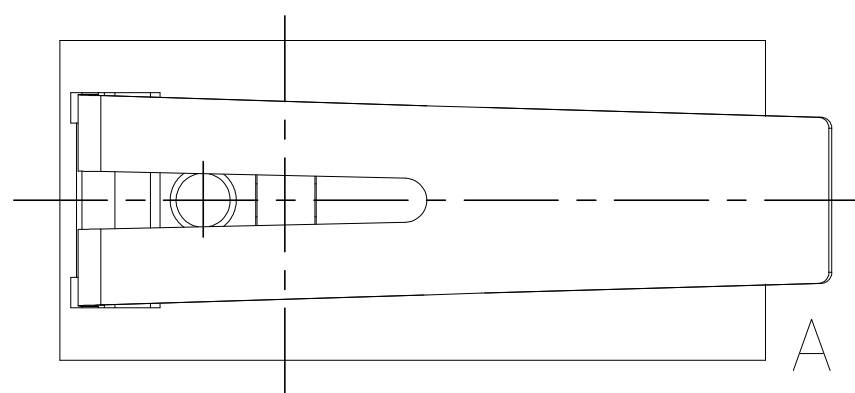
REVISIONS

© COPYRIGHT - TE Connectivity Ltd.

ALL RIGHTS RESERVED.

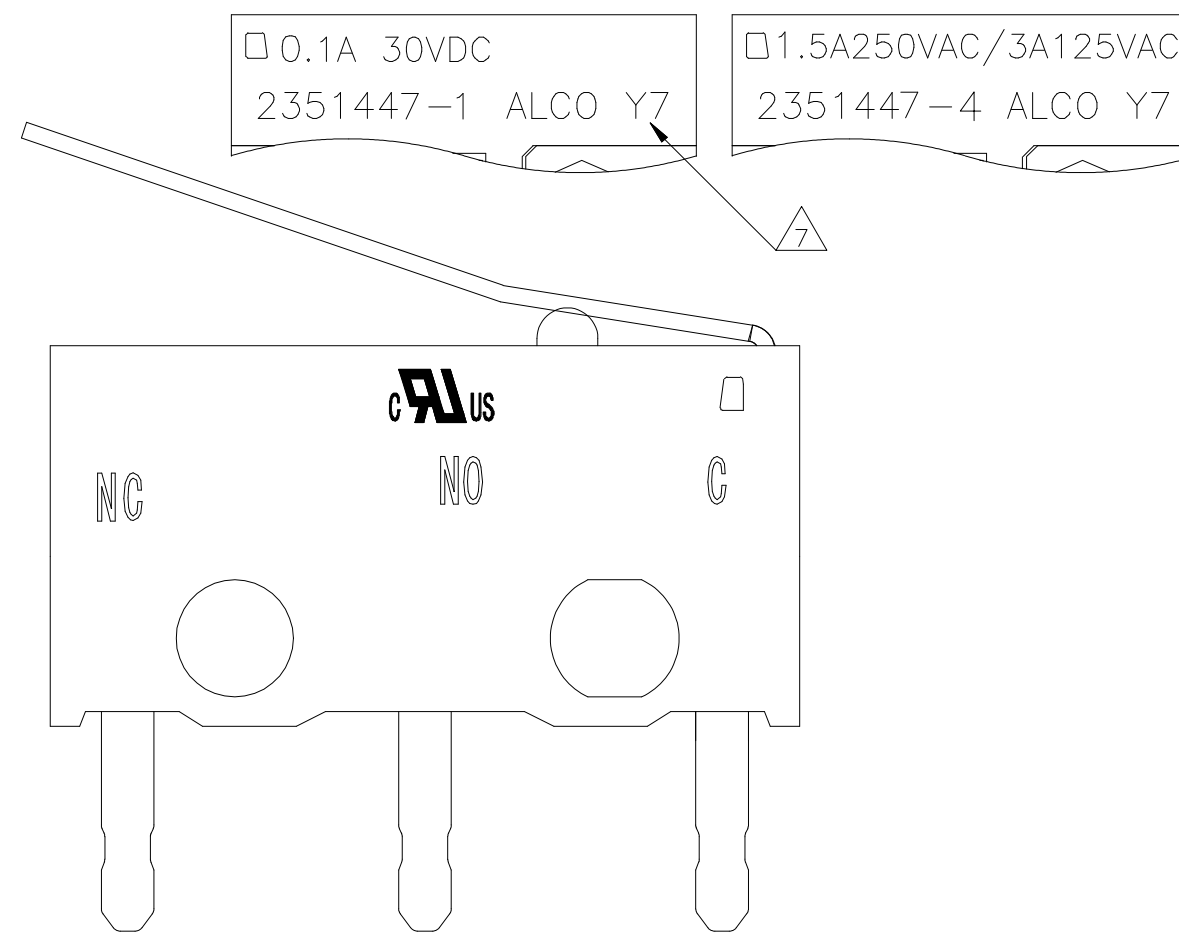
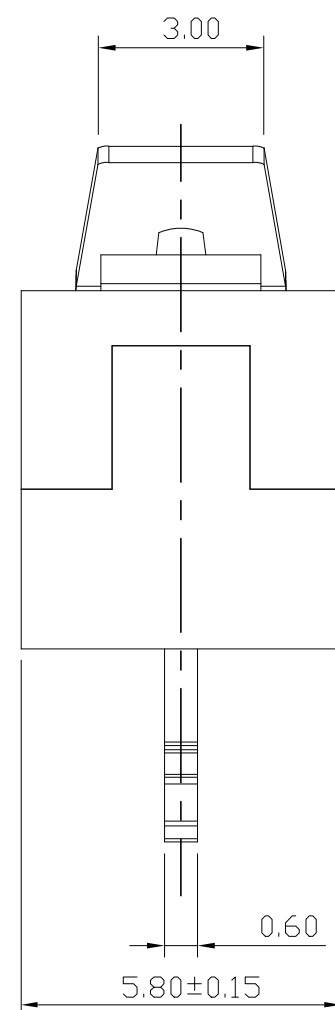
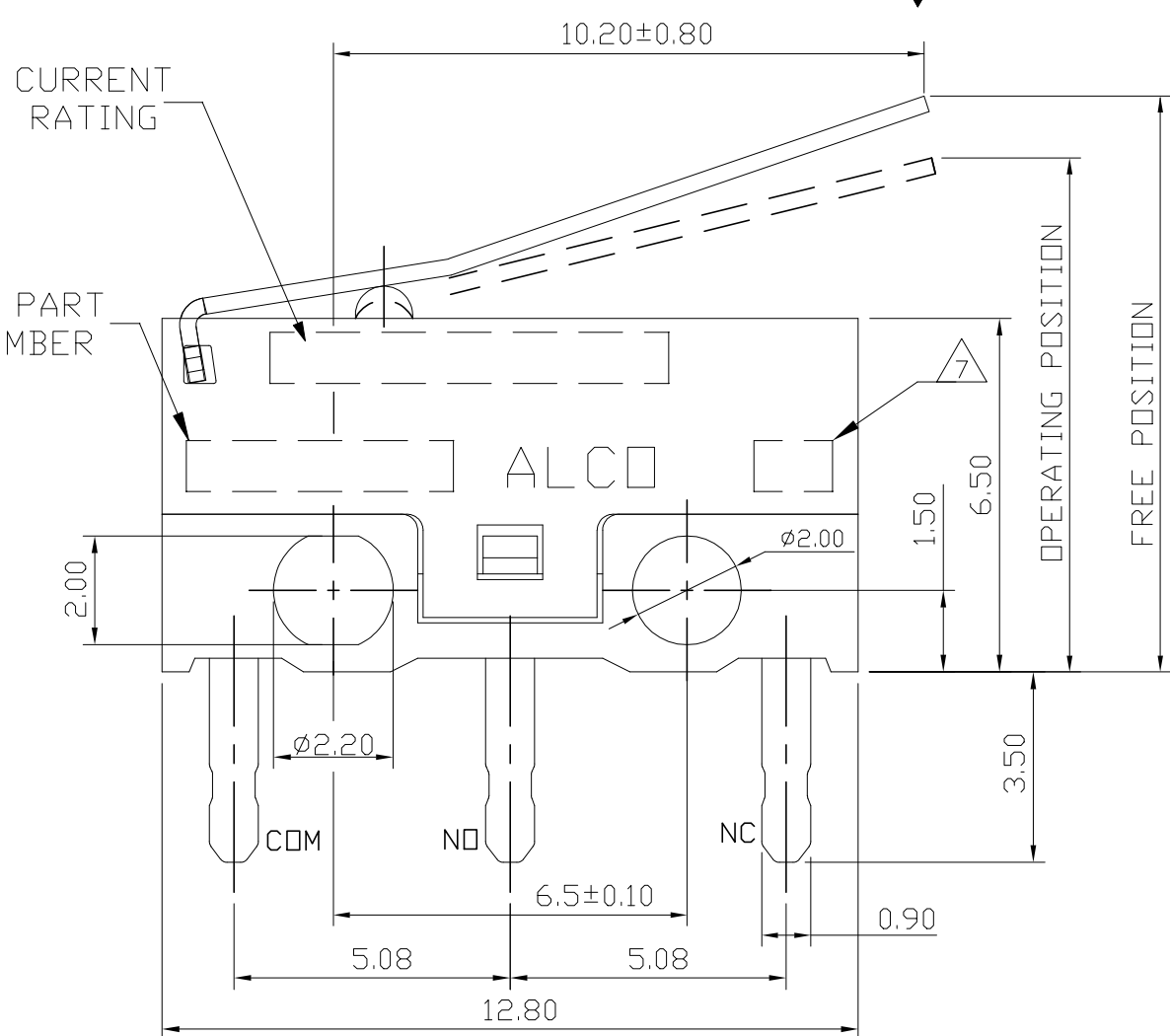
P	LTR	DESCRIPTION	DATE	DWN	APVD
1		NEW DRAWING	09MAY2019	GCM	AS

APPLICABLE FOR TE P/N
2351447-1
2351447-4



CIRCUIT DIAGRAM

PART MARKING



THIS DRAWING IS A CONTROLLED DOCUMENT.		DWN 09MAY2019 GANESH C M	TE Connectivity Ltd.	
DIMENSIONS: mm		CHK 09MAY2019 ALEXANDER SHARPE		
TOLERANCES UNLESS OTHERWISE SPECIFIED:		APVD 09MAY2019 ALEXANDER SHARPE	NAME SWITCH, ULTRA SUBMINIATURE SNAP ACTION, FORMED LEVER, PCB TERMINAL	
0 PLC ± - 1 PLC ± - 2 PLC ± 0.4 3 PLC ± - 4 PLC ± - ANGLES ± -		PRODUCT SPEC -	SIZE CAGE CODE DRAWING NO RESTRICTED TO A3 00779 C-2351447 -	
MATERIAL -		FINISH -	WEIGHT -	
		CUSTOMER DRAWING	SCALE NTS	SHEET 1 of 4 REV 1

PRELIMINARY

4

3

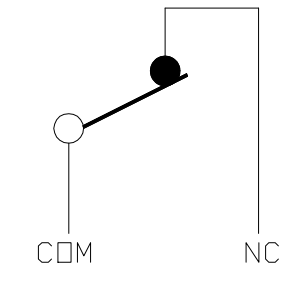
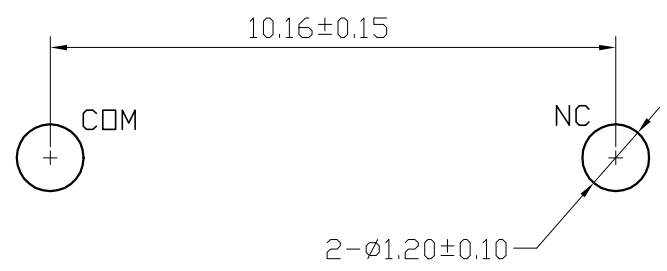
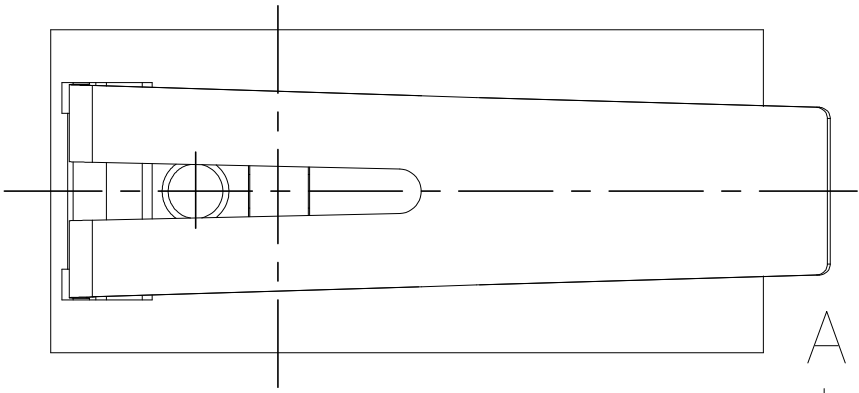
2

1

THIS DRAWING IS UNPUBLISHED. RELEASED FOR PUBLICATION
 © COPYRIGHT - TE Connectivity Ltd. ALL RIGHTS RESERVED.

REVISIONS					
P	LTR	DESCRIPTION	DATE	DWN	APVD
-	-	SEE SHEET 1	-	-	-

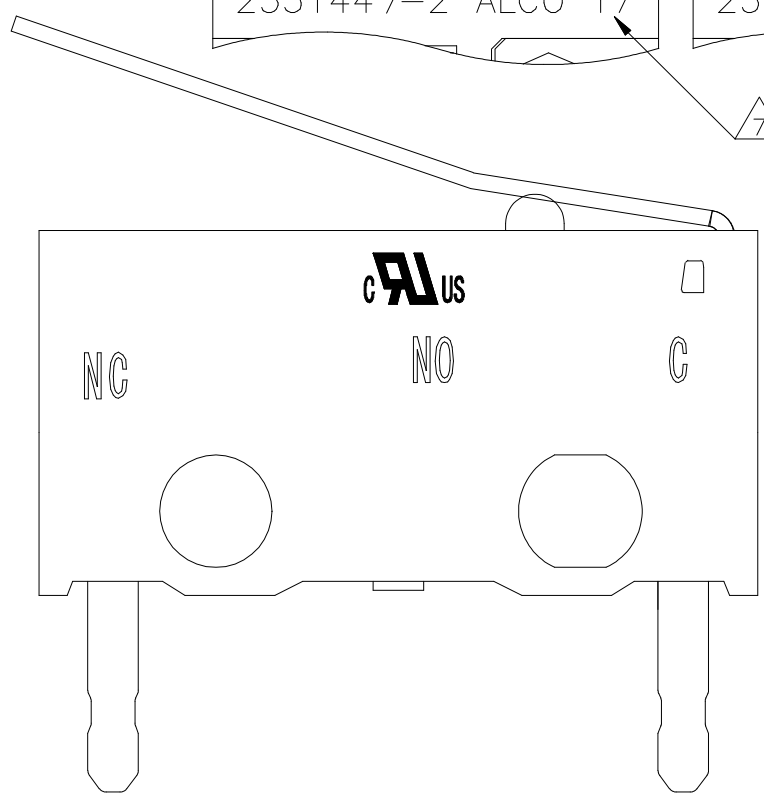
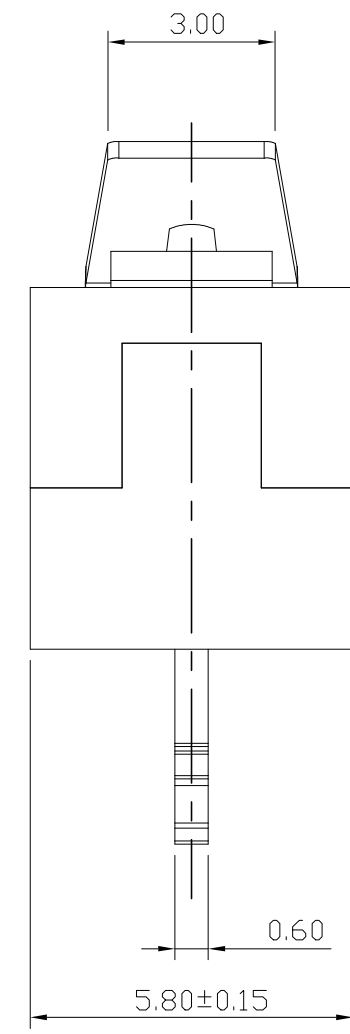
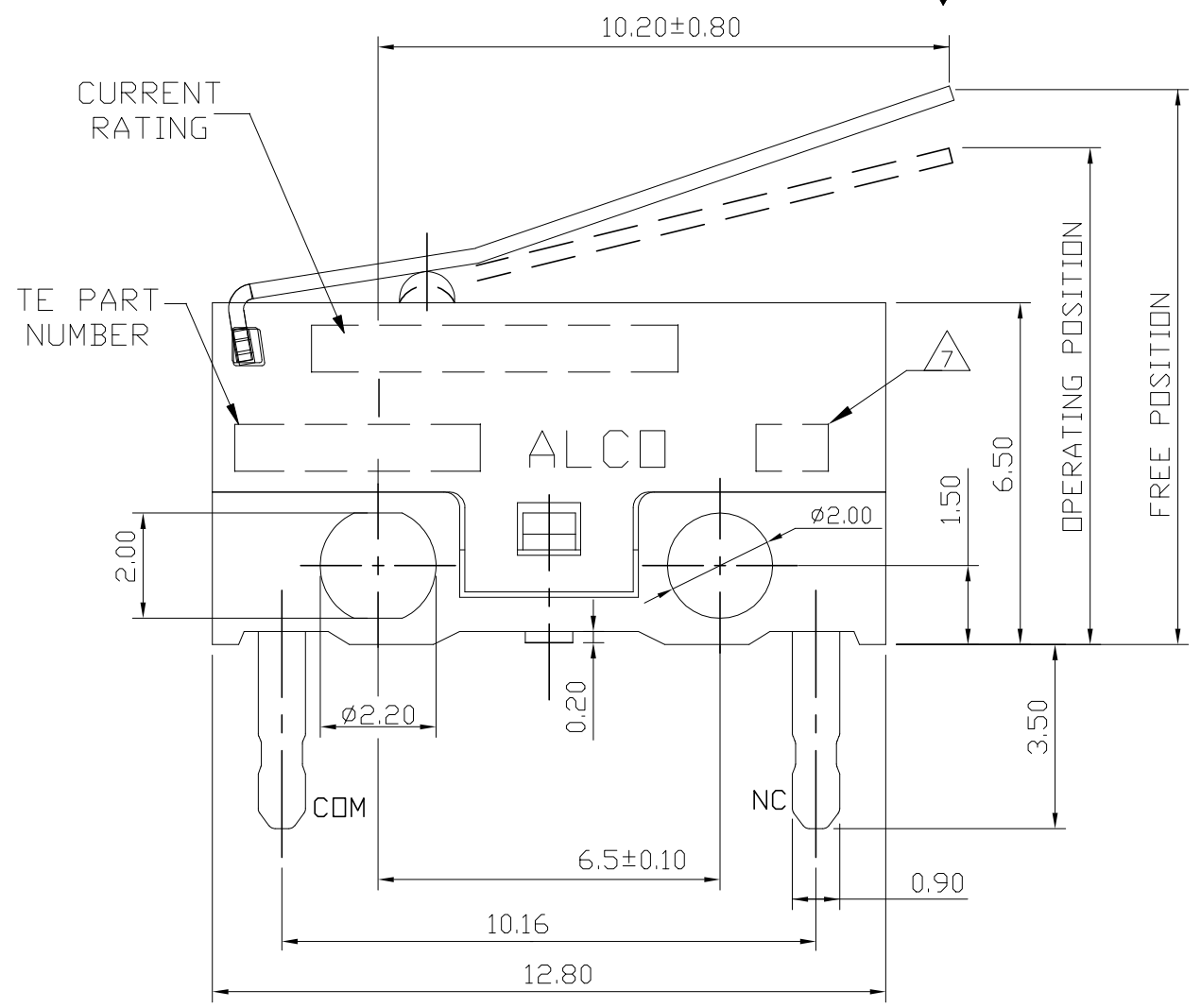
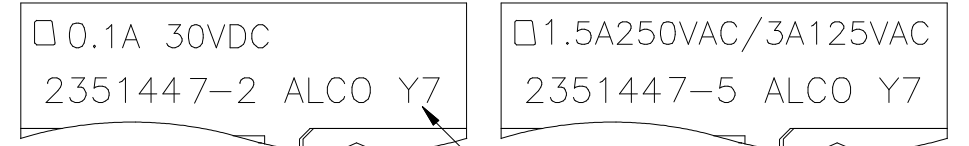
APPLICABLE FOR TE P/N
 2351447-2
 2351447-5



P.C.B LAYOUT

CIRCUIT DIAGRAM

PART MARKING



THIS DRAWING IS A CONTROLLED DOCUMENT.		DWN 09MAY2019 GANESH C M	TE Connectivity Ltd.		
DIMENSIONS: mm		CHK 09MAY2019 ALEXANDER SHARPE			
TOLERANCES UNLESS OTHERWISE SPECIFIED:		APVD 09MAY2019 ALEXANDER SHARPE	NAME SWITCH, ULTRA SUBMINIATURE SNAP ACTION, FORMED LEVER, PCB TERMINAL		
0 PLC ± - 1 PLC ± - 2 PLC ± 0.4 3 PLC ± - 4 PLC ± - ANGLES ± -		PRODUCT SPEC -	SIZE A3		
MATERIAL -		FINISH -	APPLICATION SPEC -	CAGE CODE 00779	DRAWING NO C-2351447
CUSTOMER DRAWING			WEIGHT -	RESTRICTED TO -	SCALE NTS
			SHEET 2 of 4		REV 1

PRELIMINARY

4

3

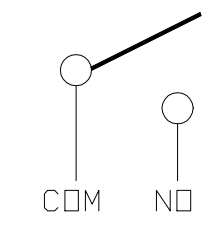
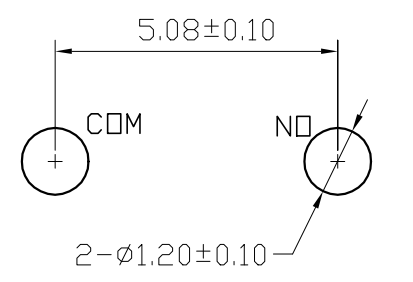
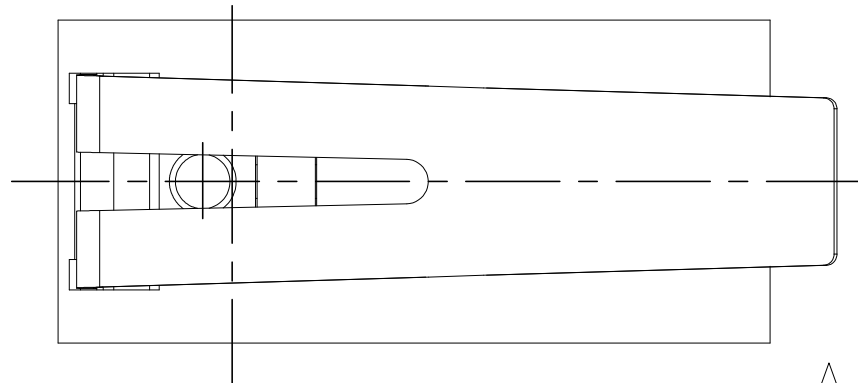
2

1

THIS DRAWING IS UNPUBLISHED. RELEASED FOR PUBLICATION
 © COPYRIGHT - TE Connectivity Ltd. ALL RIGHTS RESERVED.

REVISIONS					
P	LTR	DESCRIPTION	DATE	DWN	APVD
-	-	SEE SHEET 1	-	-	-

APPLICABLE FOR TE P/N
 2351447-3
 2351447-6



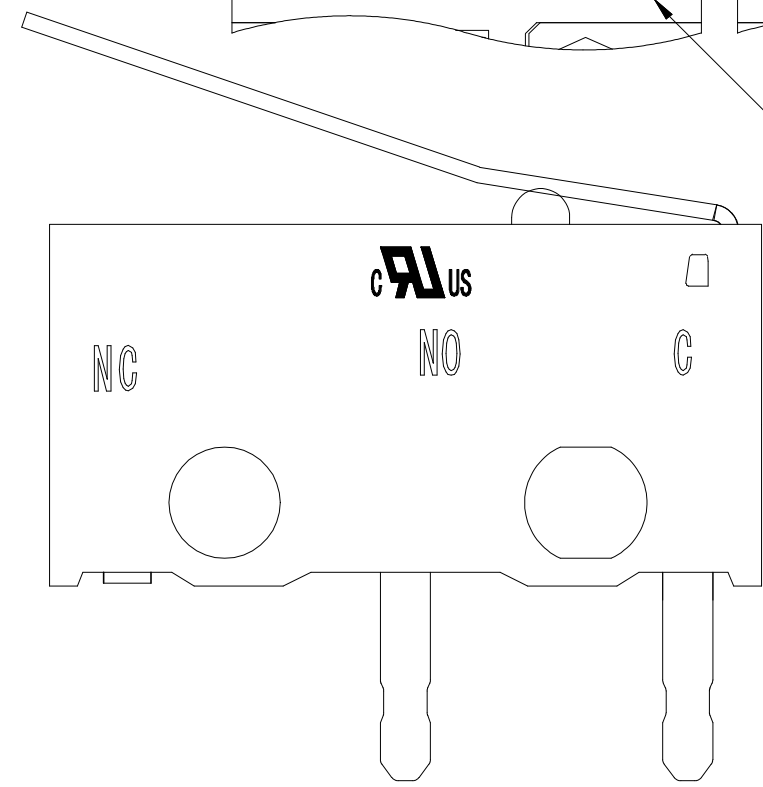
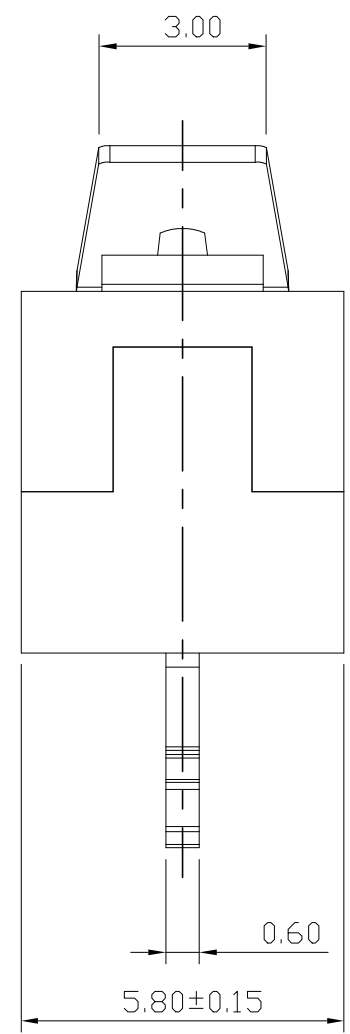
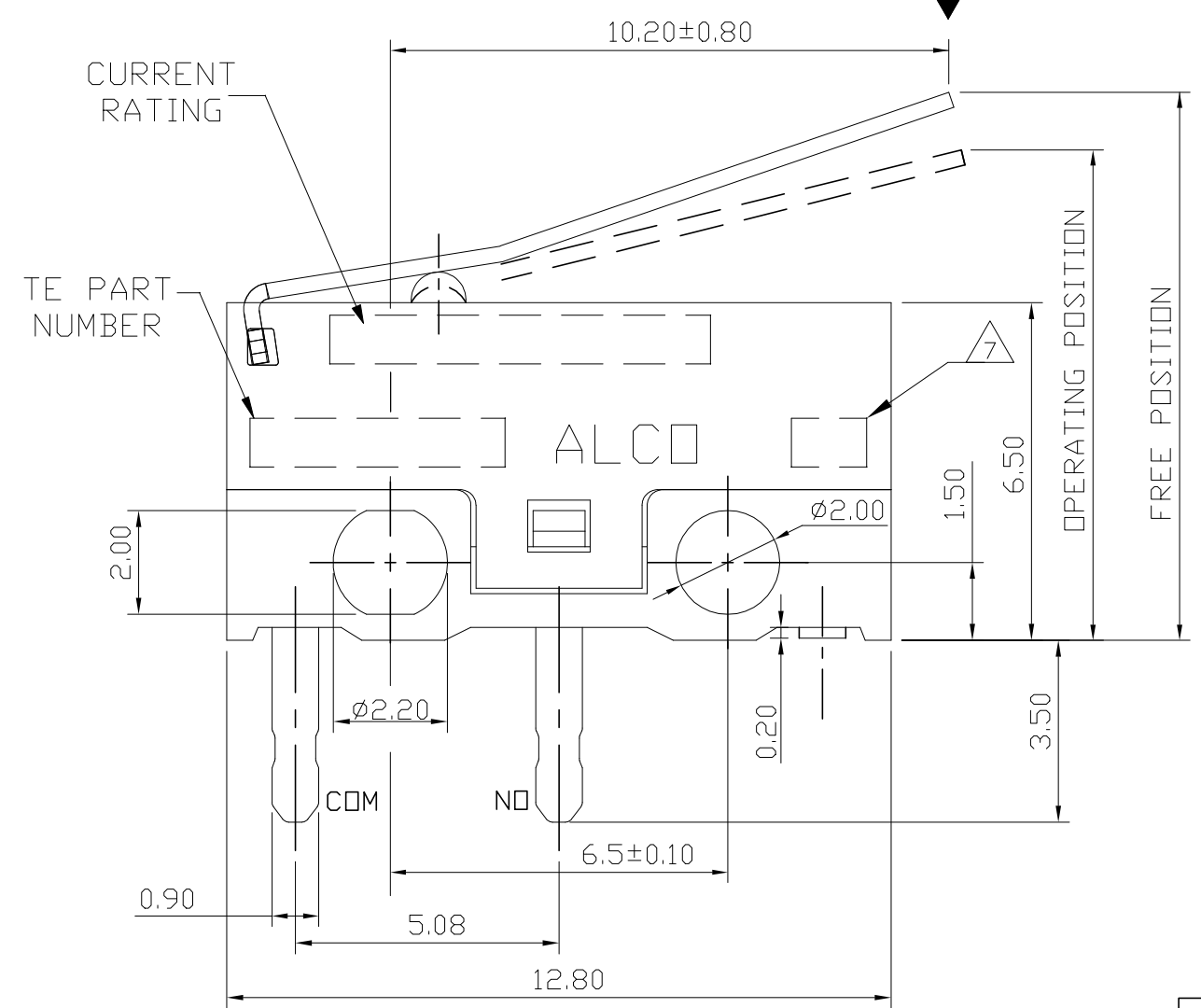
P.C.B LAYOUT

CIRCUIT DIAGRAM

PART MARKING

□ 0.1A 30VDC
 2351447-3 ALCO Y7

□ 1.5A250VAC/3A125VAC
 2351447-6 ALCO Y7



THIS DRAWING IS A CONTROLLED DOCUMENT.		DWN 09MAY2019 GANESH C M	TE Connectivity Ltd.		
DIMENSIONS: mm		CHK 09MAY2019 ALEXANDER SHARPE			
TOLERANCES UNLESS OTHERWISE SPECIFIED:		APVD 09MAY2019 ALEXANDER SHARPE	PRODUCT SPEC		RESTRICTED TO
0 PLC ± - 1 PLC ± - 2 PLC ± 0.4 3 PLC ± - 4 PLC ± - ANGLES ± -		APPLICATION SPEC	SIZE A3		CAGE CODE 00779
MATERIAL		WEIGHT	DRAWING NO C-2351447		REV 1
FINISH		CUSTOMER DRAWING	SCALE NTS	SHEET 3 of 4	

PRELIMINARY

THIS DRAWING IS UNPUBLISHED. RELEASED FOR PUBLICATION
 © COPYRIGHT - TE Connectivity Ltd. ALL RIGHTS RESERVED.

REVISIONS				
P	LTR	DESCRIPTION	DATE	APVD
-	-	SEE SHEET 1	-	-

NOTES:


- OPERATING CHARACTERISTICS ARE FOR OPERATION IN THE A DIRECTION ↓
- PACKAGING:
SWITCHES ARE BULK PACKAGED IN BAGS, 500 SWITCHES PER BAG, 2 BAGS PER BOX.
- COMPLIANCE:
THE CURRENT STATEMENT OF COMPLIANCE IS AVAILABLE AT TE.COM.
- MATERIAL AND FINISH:
LEVER: STAINLESS STEEL
BUTTON: THERMOPLASTIC, WHITE
COVER: THERMOPLASTIC, BLACK
BASE: THERMOPLASTIC, BLACK
SPRING PLATE: COPPER ALLOY
CONTACT: SILVER ALLOY, SILVER PLATED
TERMINAL: BRASS, SILVER PLATED
- SPECIFICATIONS:
CURRENT RATING: SEE TABLE
CONTACT RESISTANCE: 100mΩ MAXIMUM INITIAL, AT FREE POSITION AND TOTAL TRAVEL POSITION.
INSULATION RESISTANCE: 100MΩ MINIMUM @ 500 V DC FOR 1 MINUTE, INITIAL.
DIELECTRIC WITHSTANDING VOLTAGE, BETWEEN TERMINALS OF THE SAME POLARITY: 600 V AC, 50 TO 60 Hz FOR 1 MINUTE
DIELECTRIC WITHSTANDING VOLTAGE, BETWEEN EACH TERMINAL AND GROUND: 1500 V AC, 50 TO 60 Hz FOR 1 MINUTE
DIELECTRIC WITHSTANDING VOLTAGE, BETWEEN EACH TERMINAL AND NON-CURRENT CARRYING METAL PART:
1500 V AC, 50 TO 60 Hz FOR 1 MINUTE
- SOLDER PROCESS:
MANUAL SOLDERING: 350°C, 3 SECONDS MAXIMUM, 30 TO 40 WATTS. PREVENT SOLDER AND FLUX CONTACTING THE SWITCH BODY.
DO NOT OPERATE THE SWITCH DURING THE FIRST MINUTE AFTER SOLDERING.
WAVE SOLDERING: 260°C, 5 SECONDS MAXIMUM. PREVENT SOLDER AND FLUX CONTACTING THE SWITCH BODY.
DO NOT OPERATE THE SWITCH DURING THE FIRST MINUTE AFTER SOLDERING.

△ 7 DATE CODE : ① ②

①	MONTH	1 TO 9, X, Y, Z (X=10, Y=11, Z=12)
②	YEAR	0 TO 9 (EX: 7=2017)

8. CERTIFICATION: 

CONTACT FINISH	CONTACT FORM	MECHANICAL LIFE	ELECTRICAL LIFE	STORAGE TEMPERATURE RANGE/HUMIDITY RANGE	OPERATING TEMPERATURE RANGE/HUMIDITY RANGE	MOVEMENT DIFFERENTIAL	OVERTRAVEL	OPERATING POSITION	FREE POSITION	RELEASE FORCE	OPERATING FORCE	RATING RESISTIVE LOAD	CONTACT CONFIGURATION	TE SMART PART NUMBER	PART NUMBER
SILVER	SPST, NORMALLY OPEN	500,000 CYCLES, MINIMUM	6,000 CYCLES, MINIMUM	-40 TO +85°C/85% RELATIVE HUMIDITY MAXIMUM	-25 TO +75°C/60% RELATIVE HUMIDITY MAXIMUM	0.50 MAXIMUM	0.55 MINIMUM	9.6±0.8	11.8 MAXIMUM	0.02N MINIMUM	0.25N MAXIMUM	MOMENTARY	SAJ13XXBL0N88SNOPTQ	2351447-6	
	SPST, NORMALLY CLOSED												SAJ13XXBL0N88SNCPTQ	2351447-5	
	SPDT												SAJ13XXBL0N88SDTPTQ	2351447-4	
	SPST, NORMALLY OPEN	1,000,000 CYCLES, MINIMUM	30,000 CYCLES, MINIMUM										SAJ101XBL0N74SNOPTQ	2351447-3	
	SPST, NORMALLY CLOSED												SAJ101XBL0N74SNCPTQ	2351447-2	
	SPDT												SAJ101XBL0N74SDTPTQ	2351447-1	

THIS DRAWING IS A CONTROLLED DOCUMENT.		DWN 09MAY2019 GANESH C M	 TE Connectivity Ltd.	
DIMENSIONS: mm		CHK 09MAY2019 ALEXANDER SHARPE		
TOLERANCES UNLESS OTHERWISE SPECIFIED:		APVD 09MAY2019 ALEXANDER SHARPE	NAME SWITCH, ULTRA SUBMINIATURE SNAP ACTION, FORMED LEVER, PCB TERMINAL	
0 PLC ± -		PRODUCT SPEC	SIZE	
1 PLC ± -		APPLICATION SPEC	CAGE CODE	
2 PLC ± 0.4		—	DRAWING NO	
3 PLC ± -		—	RESTRICTED TO	
4 PLC ± -		—	A3 00779 C=2351447	
ANGLES ± -		—	SCALE NTS	
FINISH		WEIGHT	SHEET 4 OF 4	
MATERIAL		CUSTOMER DRAWING	REV 1	

PRELIMINARY