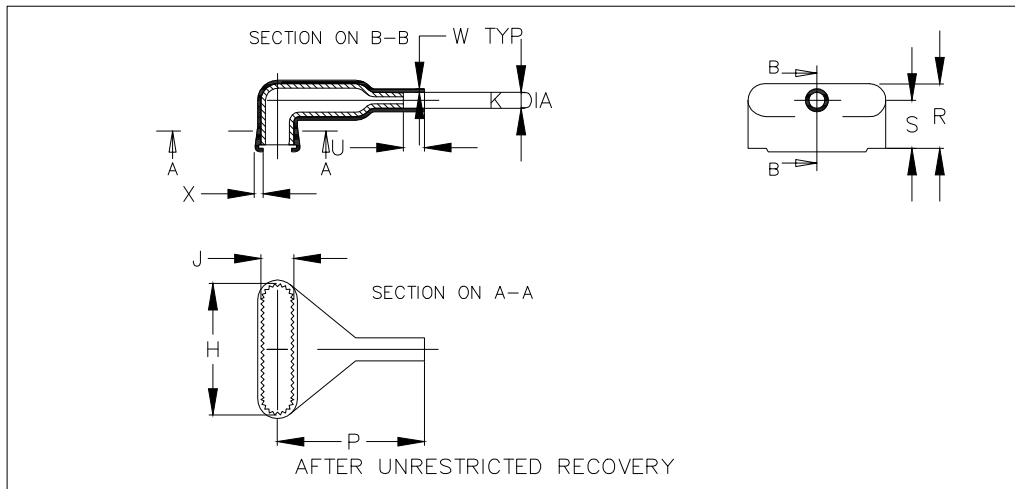
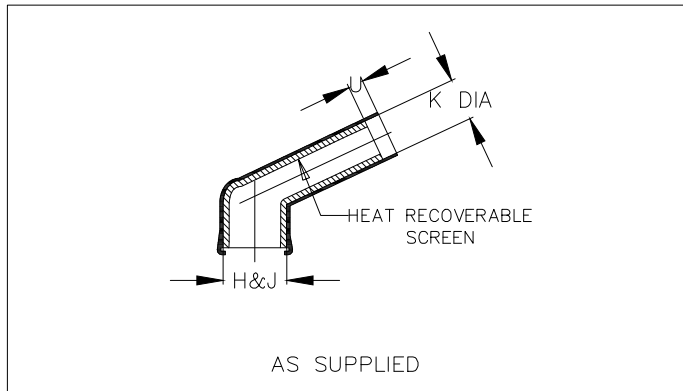


REVISIONS

P	LTR	DESCRIPTION	DATE	DWN	APVD
	A	ECO-18-002821	26FEB2018	KH	NN



Dimensions in mm [inches for reference]

Part No.	To Fit Connector Size	H		J		K		P REF b	R REF b	S REF b	U		W ±20% b	X ±20% b
		MIN a	MAX b	MIN a	MAX b	MIN a	MAX b				MIN a	±20% b		
234A111-XXC-0	9 WAY	20.0 [.79]	20.3 [.80]	16.0 [.63]	10.7 [.42]	11.5 [.45]	4.0 [.16]	28.0 [1.10]	19.0 [.75]	13.0 [.51]	1.0 [.04]	3.6 [.14]	1.0 [.04]	3.0 [.12]
234A121-XXC-0	15 WAY	29.0 [1.14]	28.2 [1.11]	15.7 [.62]	10.7 [.42]	11.5 [.45]	5.3 [.21]	35.1 [1.38]	18.8 [.74]	12.7 [.50]	3.0 [.12]	5.0 [.19]	1.0 [.04]	3.0 [.12]
234A132-XXC-0	25 WAY	43.5 [1.71]	42.2 [1.66]	15.0 [.59]	10.7 [.42]	16.0 [.63]	6.4 [.25]	48.0 [1.89]	20.0 [.79]	14.0 [.55]	4.5 [.18]	7.5 [.30]	1.0 [.04]	3.0 [.12]
234A142-XXC-0	37 WAY	60.5 [2.38]	58.7 [2.31]	15.0 [.59]	10.7 [.42]	16.0 [.63]	7.9 [.31]	60.0 [2.36]	20.0 [.79]	14.0 [.55]	3.5 [.14]	5.5 [.22]	1.0 [.04]	3.0 [.12]
234A153-XXC-0	50 WAY	58.1 [2.29]	57.9 [2.28]	16.0 [.63]	13.7 [.54]	24.1 [.95]	14.0 [.55]	63.2 [2.49]	26.4 [1.04]	17.5 [.69]	7.0 [.28]	9.9 [.39]	1.0 [.04]	3.0 [.12]

RELEASED FOR PUBLICATION

ALL RIGHTS RESERVED.

THIS DRAWING IS UNPUBLISHED.

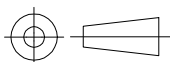
COPYRIGHT 2017 By TE Connectivity

DIMENSIONS:

mm [INCHES]

TOLERANCES UNLESS OTHERWISE SPECIFIED:

- 0 PLC ± -
- 1 PLC ± -
- 2 PLC ± -
- 3 PLC ± -
- 4 PLC ± -
- ANGLES ± -



DWN P. VU 05JUL2017

CHK N, NAGAR 05JUL2017

APVD A. POOLE 05JUL2017

PRODUCT SPEC

APPLICATION SPEC

WEIGHT 0

MATERIAL -

FINISH -



TE Connectivity

RIGHT ANGLED BOOT, RECTANGULAR D-SUBMINIATURE, COATED

234A1XX-XXC-0

NAME SIZE CAGE CODE DRAWING NO RESTRICTED TO

A4 00779 C-234A1XX-XXC-0

CUSTOMER DRAWING

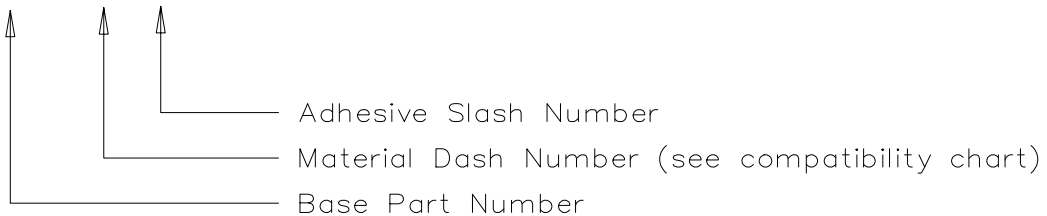
SCALE DNS SHEET 1 OF 2 REV A

REVISIONS					
P	LTR	DESCRIPTION	DATE	DWN	APVD
-	-	SEE SHEET 1	-	-	-

COMPATIBILITY CHART			
Material Dash No.	Material Description	SPEC No.	Coating Slash No.
-25C	ELASTOMER/SILVER COMPOSITE	RW-3047	/86, /200

ORDERING INFORMATION

234A1**-*C/**-0



NOTES

- As supplied dimensions are for parts without adhesive, when an adhesive layer is added entry diameters will reduce by 1.5mm Max.


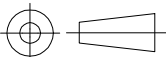
IT IS ESSENTIAL THAT THESE PARTS ARE INSTALLED ON THE CONNECTOR WITH THE APPROPRIATE INSTALLATION CLAMPING TOOL. THIS ENSURES GOOD CONTACT BETWEEN THE BOOT AND CONNECTOR. THE RECOMMENDED CLAMP PART NUMBER IS :- AT-7-031 TIN PLATED CONNECTORS ARE RECOMMENDED.

RELEASED FOR PUBLICATION

ALL RIGHTS RESERVED.

COPYRIGHT 2017 By TE Connectivity

THIS DRAWING IS UNPUBLISHED.

DIMENSIONS: mm [INCHES]	DWN P. VU	05JUL2017	MATERIAL	-	FINISH	-	
	CHK N, NAGAR	05JUL2017	 TE Connectivity				
TOLERANCES UNLESS OTHERWISE SPECIFIED:	APVD A. POOLE	05JUL2017					
0 PLC ± -	PRODUCT SPEC	-	NAME RIGHT ANGLED BOOT, RECTANGULAR D-SUBMINIATURE, COATED				
1 PLC ± -	APPLICATION SPEC	-	234A1XX-XXC-0				
2 PLC ± -	WEIGHT	-	SIZE	CAGE CODE	DRAWING NO	RESTRICTED TO	
3 PLC ± -		A4	00779	C-234A1XX-XXC-0	-		
4 PLC ± -							
ANGLES ± -	CUSTOMER DRAWING			SCALE	DNS	SHEET 2 OF 2	REV A