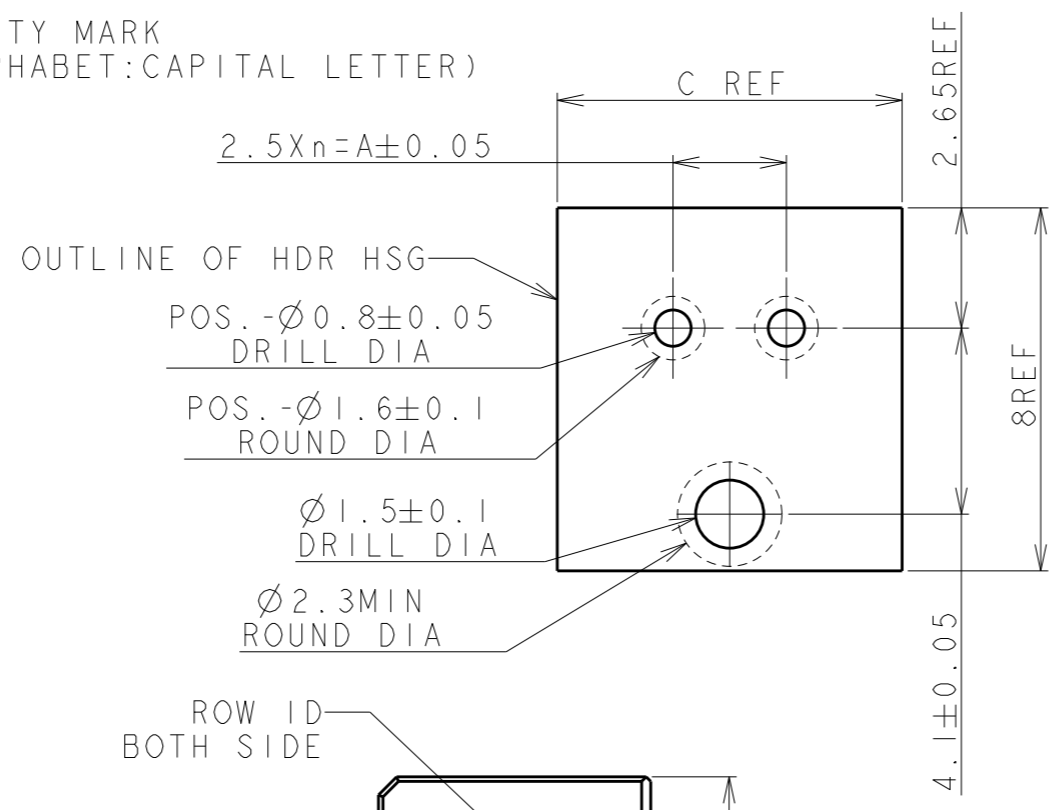
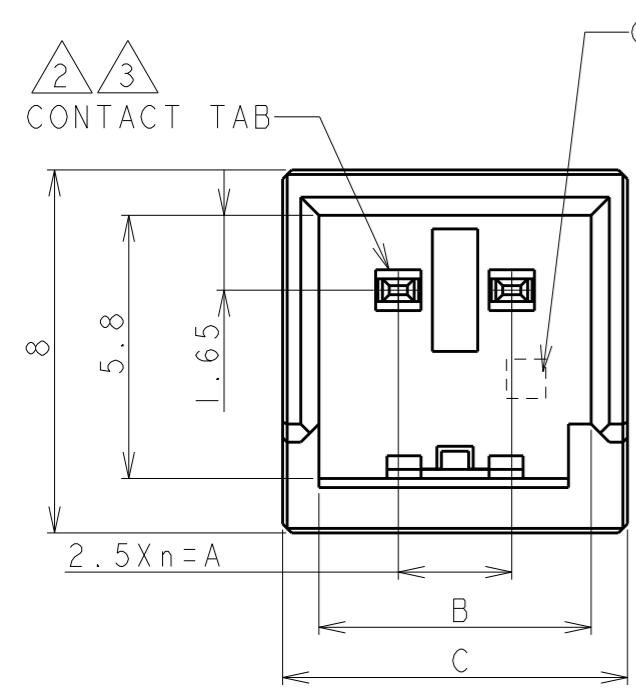
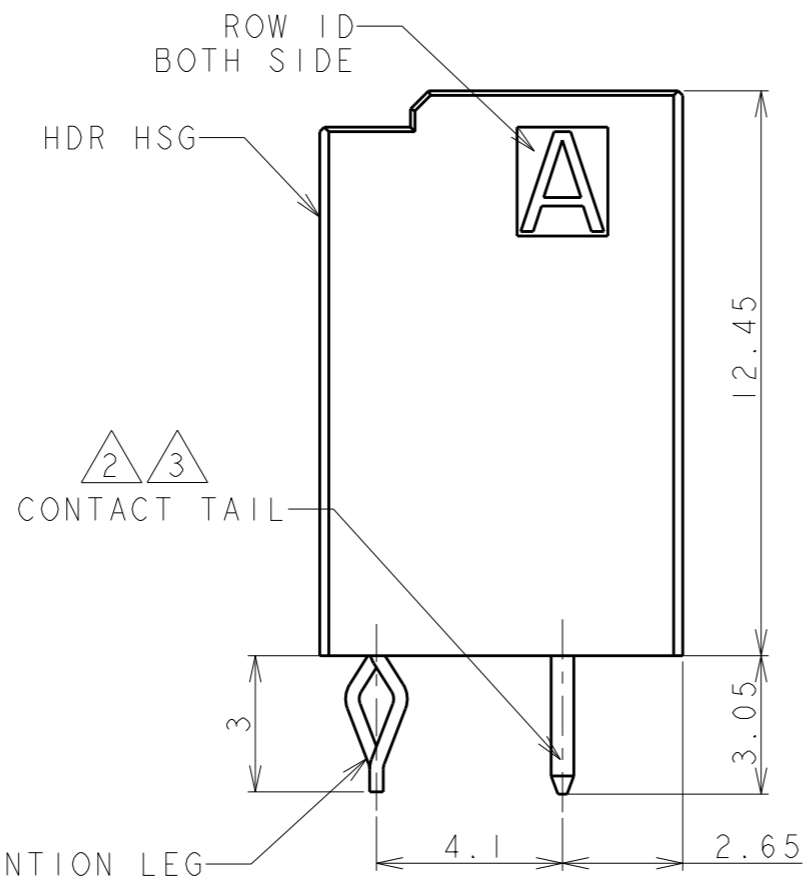
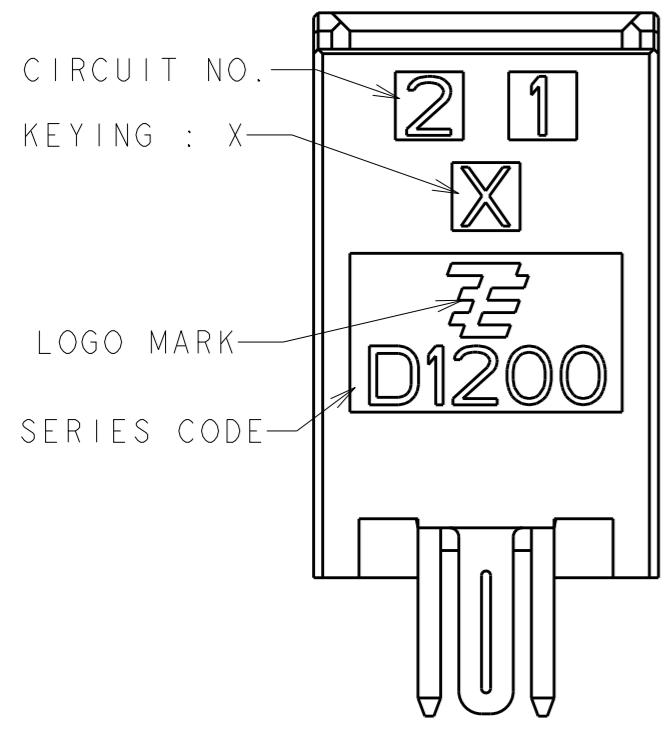


THIS DRAWING IS UNPUBLISHED. RELEASED FOR PUBLICATION 2005  
 © COPYRIGHT 2005 BY - ALL RIGHTS RESERVED.

REVISIONS					
P	LTR	DESCRIPTION	DATE	DWN	APVD
	A	INITIAL	05DEC2018	F.Z	R.B



RECOMMEND PC BOARD HOLE PATTERN : CONNECTOR MOUNT SIDE (NOT ACCUMULATE TOLERANCE)  
 PC BOARD THICKNESS : 1.0~1.6  $\pm 0.1$



- 1 MATERIAL: HOUSING: GLASS FILED THERMO PLASTIC POLYESTER(94V-0), COLOR: BLACK  
 CONTACT: COPPER ALLOY  
 RETENTION LEG: Pre-Tin COPPER ALLOY
- 2 FINISH (ALL OVER): NICKEL PL. 1.27um MIN
- 3 FINISH (CONTACT OVER): TIN PL. 1.0um MIN AFTER 2
- 4. THE SHAPE, SIZE AND POSITION OF THE CHARACTER SHOW THE OUTLINE. THEY DON'T SHOW DETAILS.

P/N 1-2348456-2  
 (2P: X-KEY)

2	1	2.5	6.0	7.6	1-2348456-2
POS.	n	A	B	C	PART NO.

THIS DRAWING IS A CONTROLLED DOCUMENT.		DWN 05DEC2018 FISHER.ZHU	<b>STE</b> TE Connectivity												
DIMENSIONS: mm		CHK 05DEC2018 RICK.BIAN													
TOLERANCES UNLESS OTHERWISE SPECIFIED: $\pm 0.3, \pm 3^\circ$		APVD 05DEC2018 RICK.BIAN	NAME DYNAMIC D1200S 2.5mm PITCH HDR ASSY, V-TYPE TIN PLATING 2 POS												
<table border="1"> <tr><td>0 PLC</td><td>±</td></tr> <tr><td>1 PLC</td><td>±</td></tr> <tr><td>2 PLC</td><td>±</td></tr> <tr><td>3 PLC</td><td>±</td></tr> <tr><td>4 PLC</td><td>±</td></tr> <tr><td>ANGLES</td><td>±</td></tr> </table>		0 PLC	±	1 PLC	±	2 PLC	±	3 PLC	±	4 PLC	±	ANGLES	±	PRODUCT SPEC 108-78298	SIZE A3
0 PLC	±														
1 PLC	±														
2 PLC	±														
3 PLC	±														
4 PLC	±														
ANGLES	±														
MATERIAL 1		APPLICATION SPEC 114-5377	CAGE CODE 00779												
FINISH 2 3		WEIGHT	DRAWING NO C-2348456												
RESTRICTED CUSTOMER		RESTRICTED TO													
		SCALE 6:1	SHEET 1 OF 1 REV A												