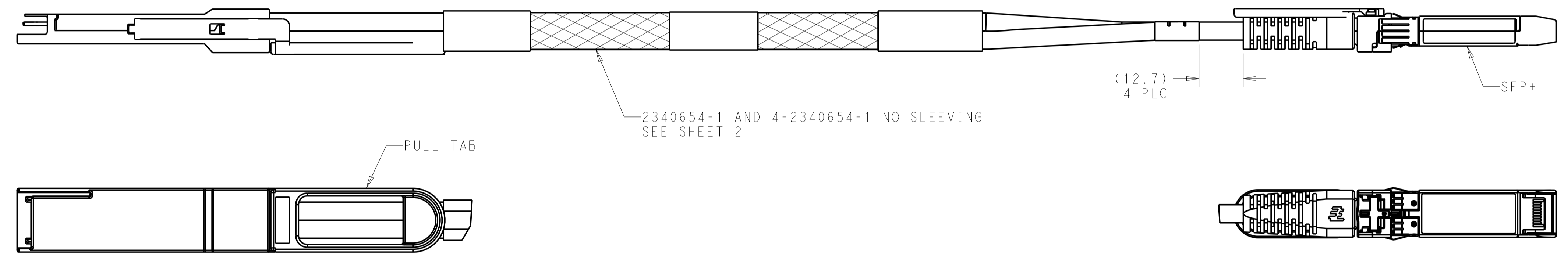
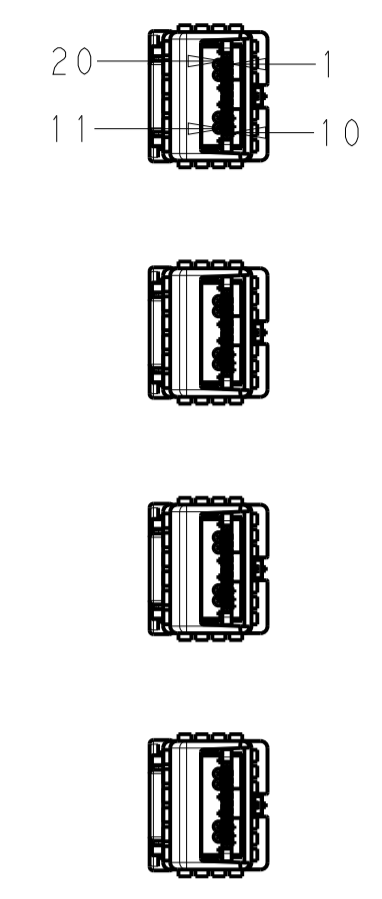
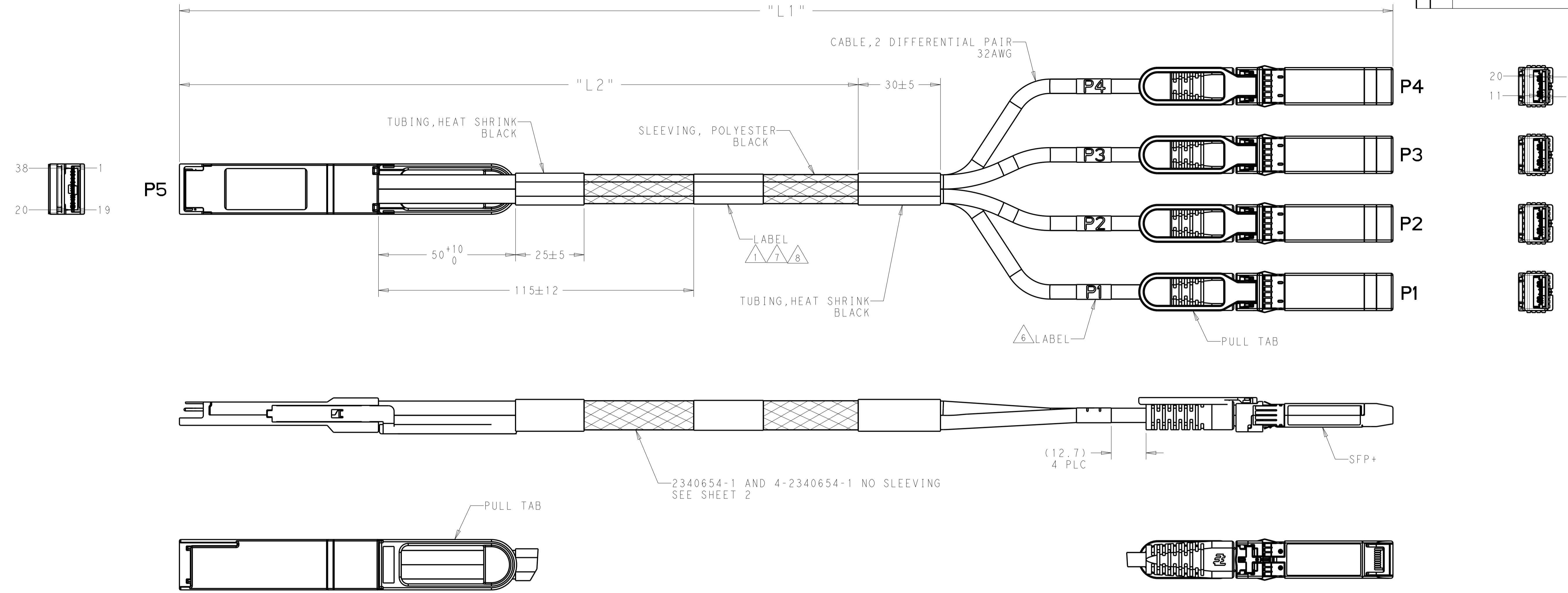
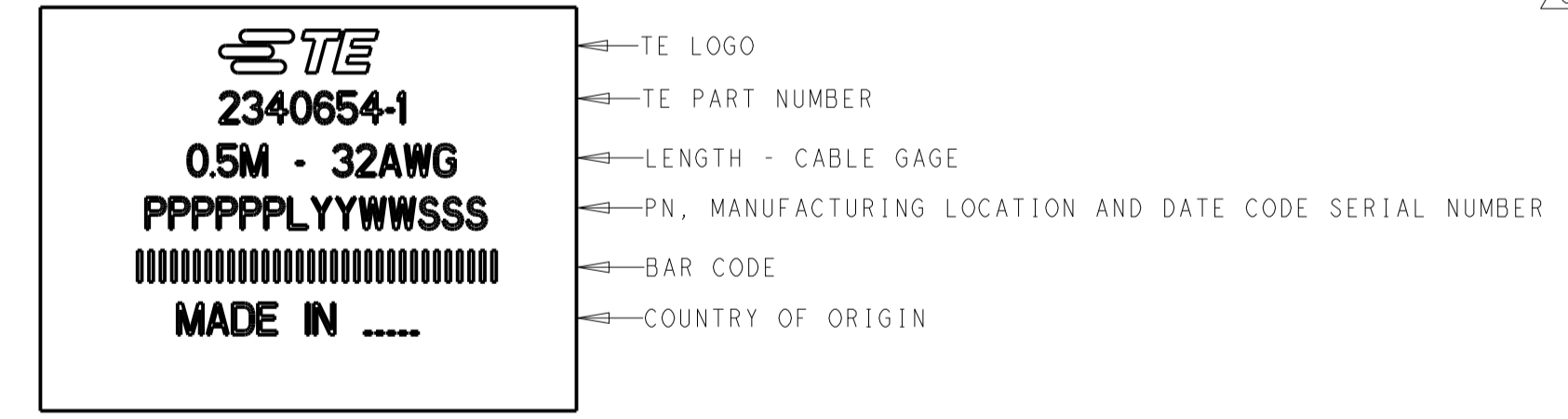


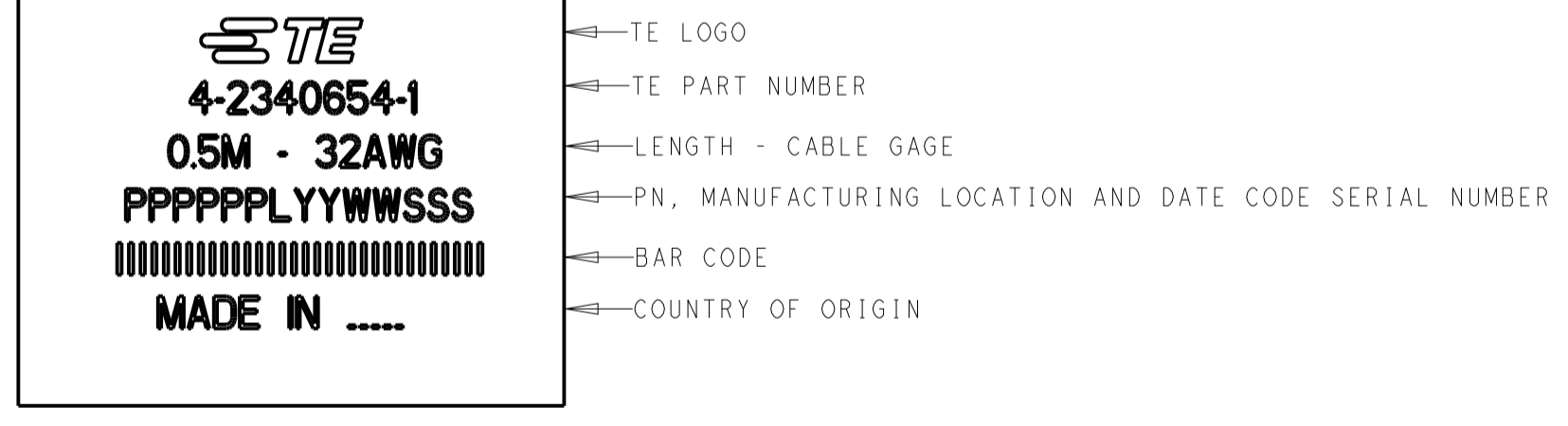
REVISIONS				
P	LTN	DESCRIPTION	DATE	APVD
A	PER ECO-18-020143		31DEC2018	MY GF
B	PER ECO-19-007907		24MAY2019	AP GF
C	REVISED PER ECO-21-005290		01MAY2021	KK AK



1 LABEL INFORMATION FOR 25 GIG PNS (-1 THRU -4): -1 SHOWN



8 LABEL INFORMATION FOR 56 GIG PNS (-41 THRU -43): -41 SHOWN



- 2. SEE SHEET 2 FOR WIRING SCHEMATIC.
- 3. PRODUCT AND PROCESSING MUST MEET THE REQUIREMENTS OF TE SPECIFICATION TEC-138-702.
- 4. CABLE ASSEMBLY TO BE TESTED FOR OPENS, SHORTS AND PROPER EEPROM PROGRAM.

- 5 TEST IN ACCORDANCE WITH IEEE802.3bj.
- 6 LABEL INFORMATION: P1 SHOWN



7 SEE SHEET 2 FOR 2340654-1 AND 4-2340654-1 LABEL PLACEMENT.

9 DASH NUMBER 41 THRU 43 CONFORM TO 56G, PAM-4 IEEE802.3CD PERFORMANCE REQUIREMENTS.

STANDARD	GAGE	"L2"	"L1"	PART NO
5	32	500 ±25	1500 +50/-0	4-2340654-3
	32	330 ±25	1000 +50/-0	4-2340654-2
	32	120 ±12	500 +50/-0	4-2340654-1
	32	700 ±25	2000 +80/-0	2340654-4
	32	500 ±25	1500 +50/-0	2340654-3
	32	330 ±25	1000 +50/-0	2340654-2
32	120 ±12	500 +50/-0	2340654-1	

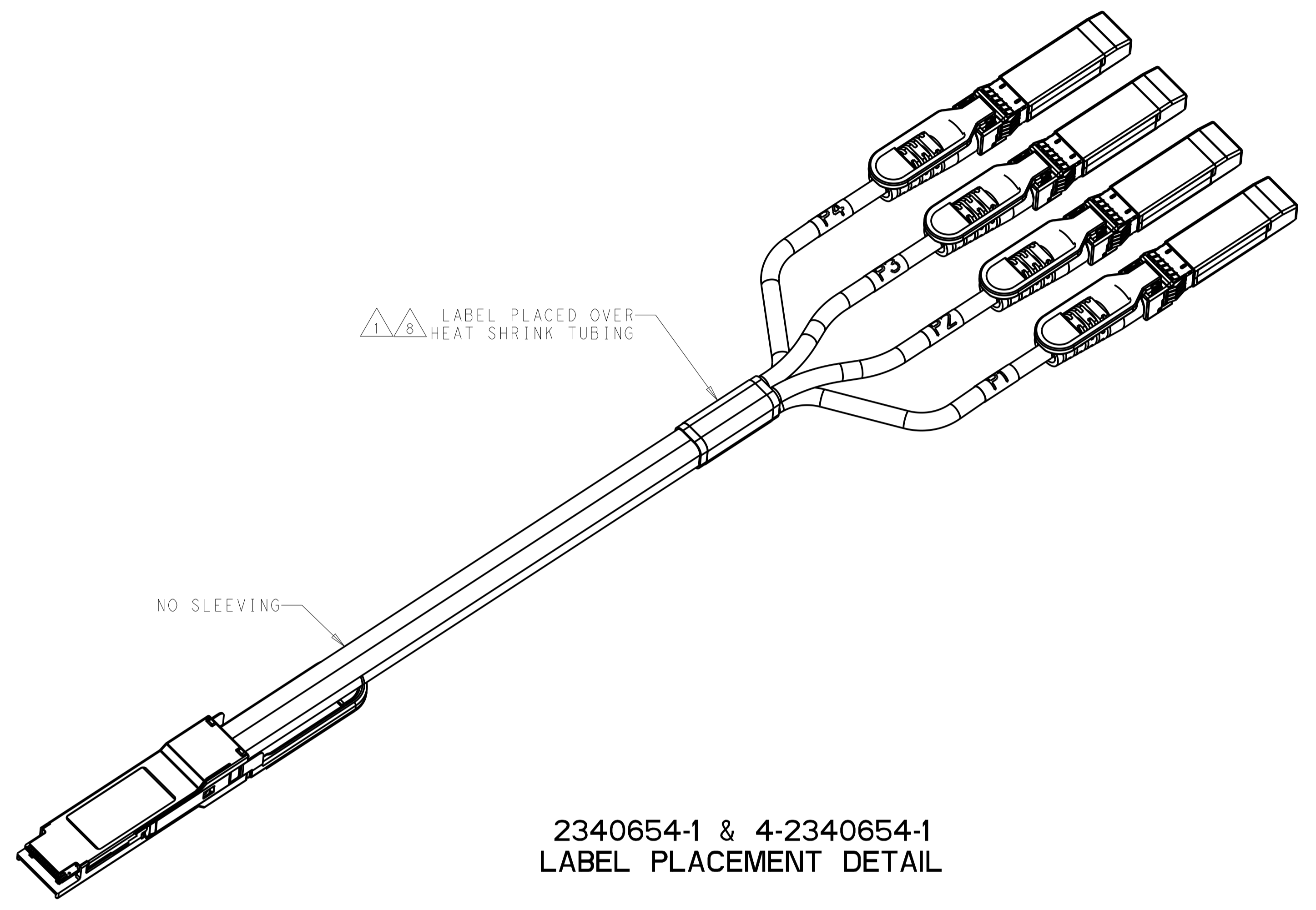
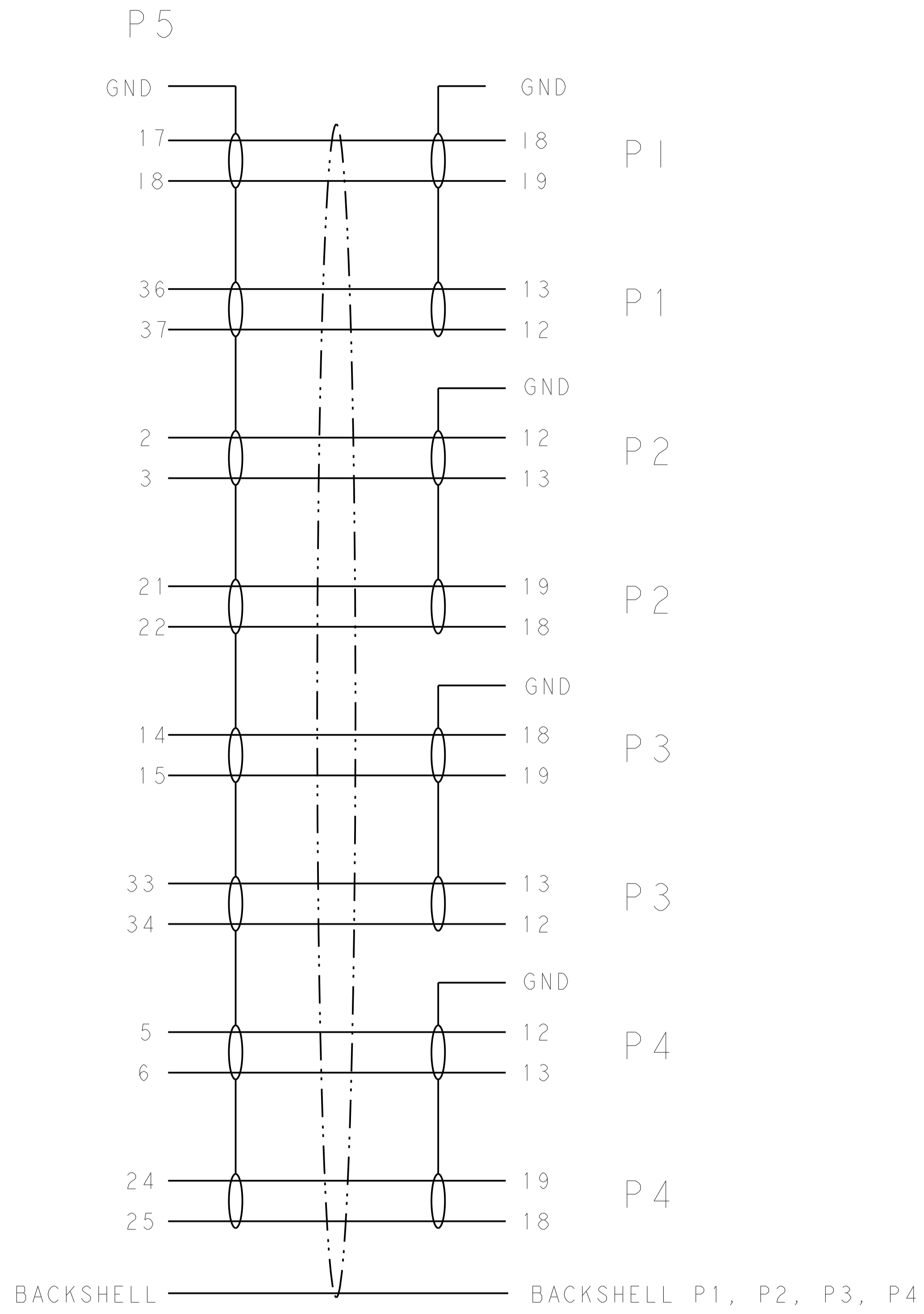
THIS DRAWING IS A CONTROLLED DOCUMENT.

TE Connectivity

CABLE ASSEMBLY, QSFP28 TO (4) SFP+ 32AWG

SCALE 5:4 SHEET 1 OF 2 REV C

REVISIONS					
P.	LTN	DESCRIPTION	DATE	OWN	APVD
-	SEE SHEET 1				



THIS DRAWING IS A CONTROLLED DOCUMENT.		OWN: Y1 07AUG2018	
DIMENSIONS: mm		CHK: G. FRANKLIN 07AUG2018	
TOLERANCES UNLESS OTHERWISE SPECIFIED:		APVD: G. FRANKLIN 07AUG2018	NAME: CABLE ASSEMBLY, QSFP28 TO (4) SFP+ 32AWG
0 PLC ±	1 PLC ±	PRODUCT SPEC	SIZE: CAGE CODE DRAWING NO
2 PLC ±	3 PLC ±	APPLICATION SPEC	RESTRICTED TO
4 PLC ±	ANGLES ±	FINISH	A 100779 C=2340654
MATERIAL		WEIGHT	RESTRICTED CUSTOMER
		SCALE: 3:2	SHEET 2 OF 2 REV C