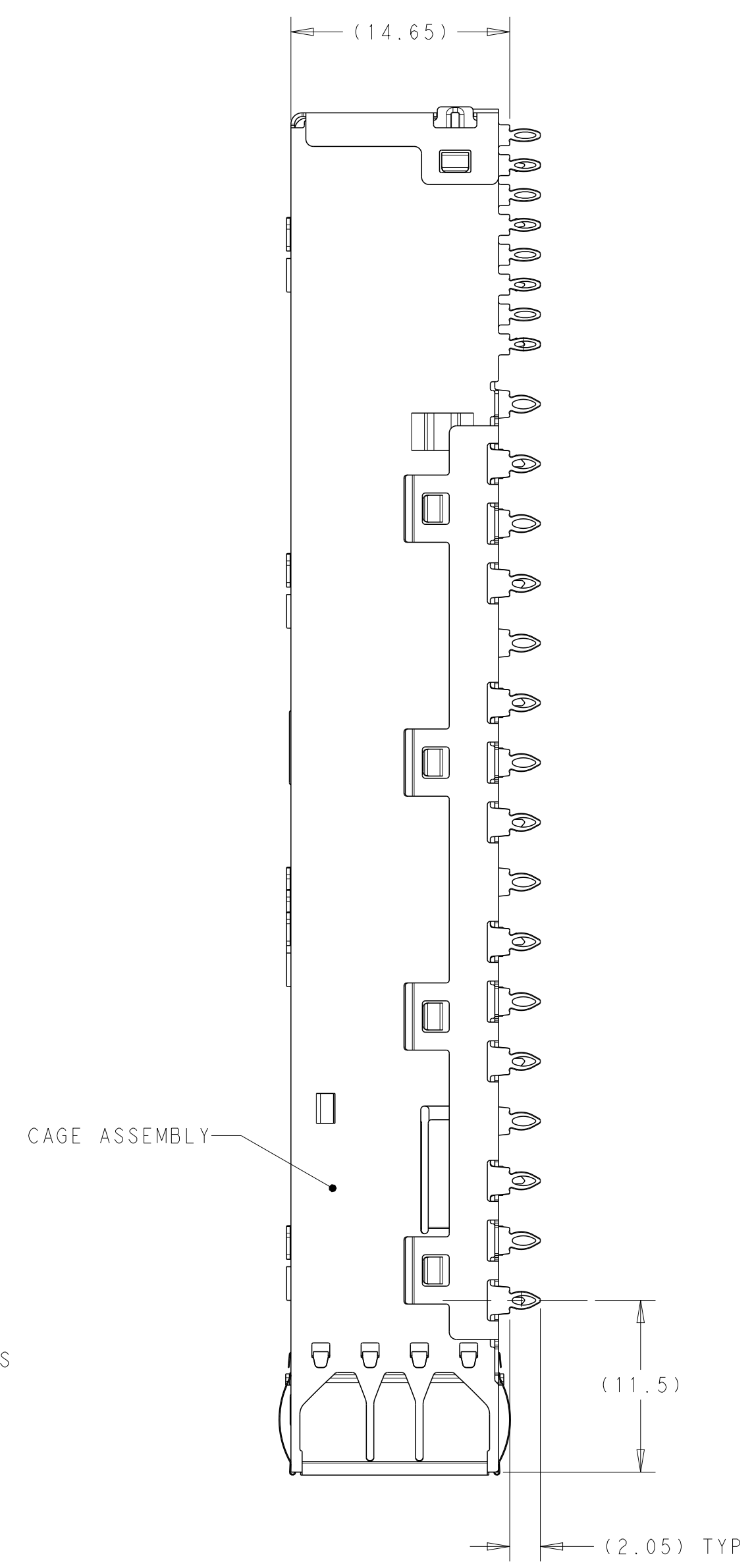
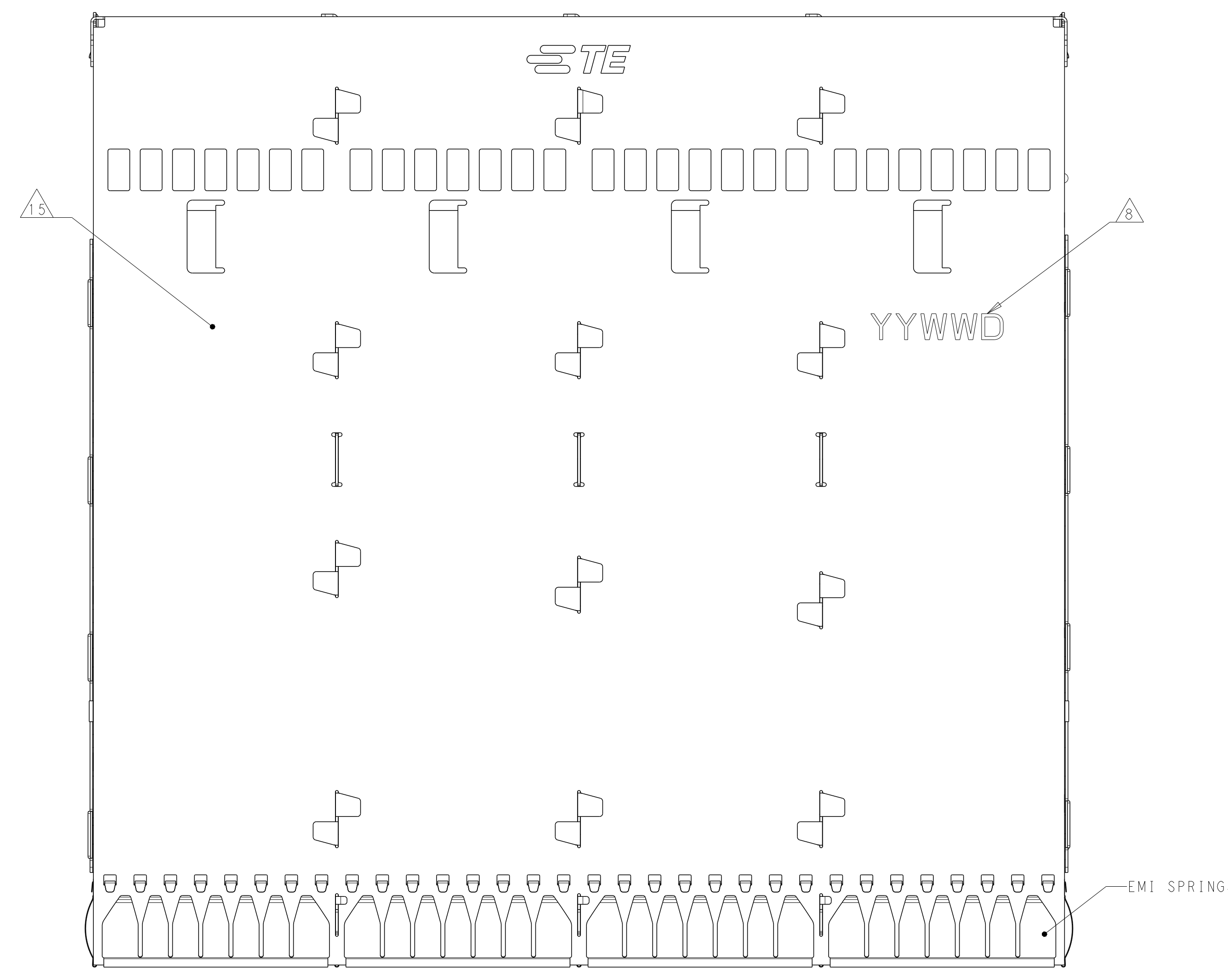
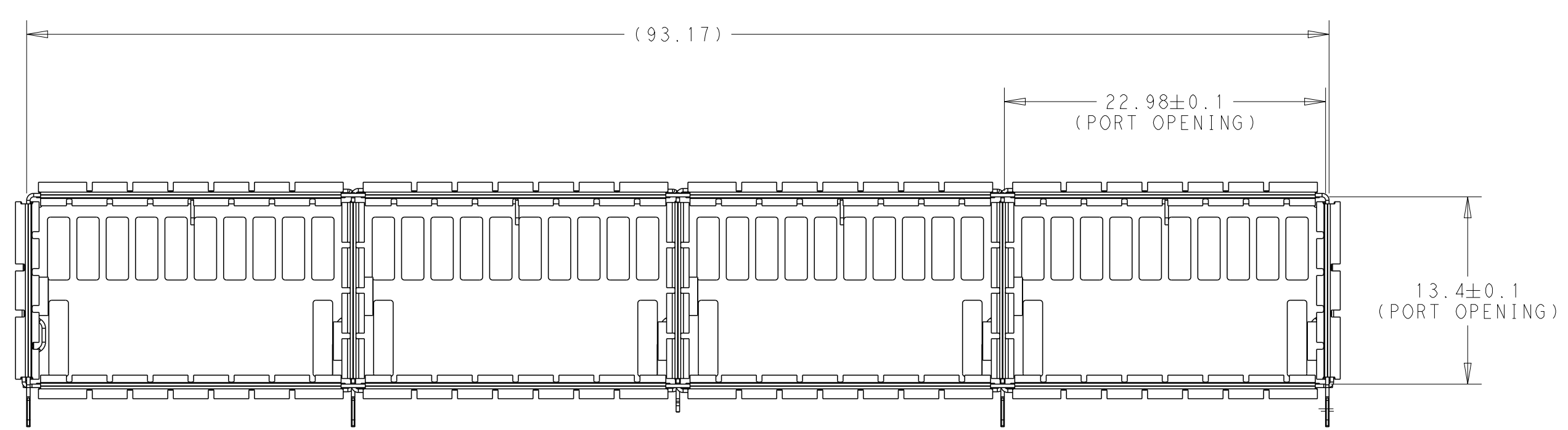


REVISIONS				
P	LTN	DESCRIPTION	DATE	OWN APVD
A		RELEASED	18JUN2018	CJV EDB
B		REVISED	12SEP2018	CJV EDB
E		REVISED PER ECO-20-002354	05DEC2019	ES SH
E2		REVISED PER ECN-24-254323	29FEB2024	ES SZ



2338495-1 AS SHOWN



- 1 CAGE ASSEMBLY- 0.25mm THICK STAINLESS STEEL.
EMI SPRING- COPPER ALLOY.
LIGHT PIPE- CLEAR POLYCARBONATE.
LIGHT PIPE ORGANIZER- POLYCARBONATE.
LIGHT PIPE BRACKET- STAINLESS STEEL.
- 2 FINISH:
EMI SPRING- 1.27um NICKEL PLATING OVER ALL.
- 3. MATES WITH OSFP MSA COMPLIANT TRANSCEIVERS.
- 4 DATUM AND BASIC DIMENSION ESTABLISHED BY CUSTOMER.
- 5. MINIMUM PC BOARD THICKNESS:
SINGLE SIDE = 1.5MM
DOUBLE SIDE = 2.10MM
- 6 PADS AND VIAS CHASSIS GROUND.
- 7 REFERENCE APPLICATION SPEC 114-XXXX, HOLE A, FOR RECOMMENDED DRILL HOLE DIAMETER AND PLATING THICKNESS.
- 8 DATE CODE MARKED IN APPROXIMATE AREA.
(YYWWDXX ONLY FOR PN 2338495-1, 2338495-3, 2338495-5, 2338495-6 AND 6-2338495-1. XX: JH FOR MALAYSIA JOHOR, GD FOR GUANGDONG)
- 9 LIGHT PIPE ASSEMBLY SHOWN ASSEMBLED TO CAGE ASSEMBLY FOR REFERENCE. LIGHT PIPE ASSEMBLY IS SHIPPED UNASSEMBLED FROM CAGE ASSEMBLY.
- 10 LED PLACEMENT AREA FOR 4 LIGHT PIPE DASH NUMBERS.
- 11 LED PLACEMENT AREA FOR 2 LIGHT PIPE DASH NUMBERS.
- 12 LED PLACEMENT AREA FOR 1 LIGHT PIPE DASH NUMBERS.
- 13 ASSEMBLY NOT COMPATIBLE WITH LIGHT PIPES.
- 14 ASSEMBLY COMPATIBLE WITH LIGHT PIPES.
- 15 PART NUMBER MARKED IN APPROXIMATE AREA.
- 16 LOW Br/CI AS DEFINED IN TEC-138-702.
- 17 LIGHT PIPE ASSEMBLY IS SHIPPED ATTACHED TO CAGE ASSEMBLY.
- 18 PACKAGE: HARD TRAY.

CALLOUT	QTY	DESCRIPTION	PART NUMBER
17	2	WITH EMI SPRINGS	6-2338495-1
16/9	4	WITH EMI SPRINGS	5-2338495-3
9	4	WITH EMI SPRINGS	4-2338495-3
9	4	WITH EMI SPRINGS	4-2338495-1
9	2	WITH EMI SPRINGS	2-2338495-3
9	2	WITH EMI SPRINGS	2-2338495-1
9	1	WITH EMI SPRINGS	1-2338495-3
11	1	WITH EMI SPRINGS	1-2338495-2
9	1	WITH EMI SPRINGS	1-2338495-1
18/14	0	WITH EMI SPRINGS	2338495-6
14	0	WITH EMI SPRINGS	2338495-5
13	0	WITHOUT EMI SPRINGS	2338495-4
13	0	WITH EMI SPRINGS	2338495-3
13	0	WITHOUT EMI SPRINGS	2338495-2
13	0	WITH EMI SPRINGS	2338495-1
LIGHT PIPES PER PORT		DESCRIPTION	PART NUMBER

THIS DRAWING IS A CONTROLLED DOCUMENT. OWN: C. VALENTINE 18JUN2018
 CHK: D. HARMON 18JUN2018
 APVD: D. HARMON 18JUN2018

STE TE Connectivity

DIMENSIONS: mm
 TOLERANCES UNLESS OTHERWISE SPECIFIED:
 0 PLC ±0.25
 1 PLC ±0.15
 2 PLC ±0.10
 3 PLC ±0.10
 4 PLC ±0.10
 ANGLES ±0.10

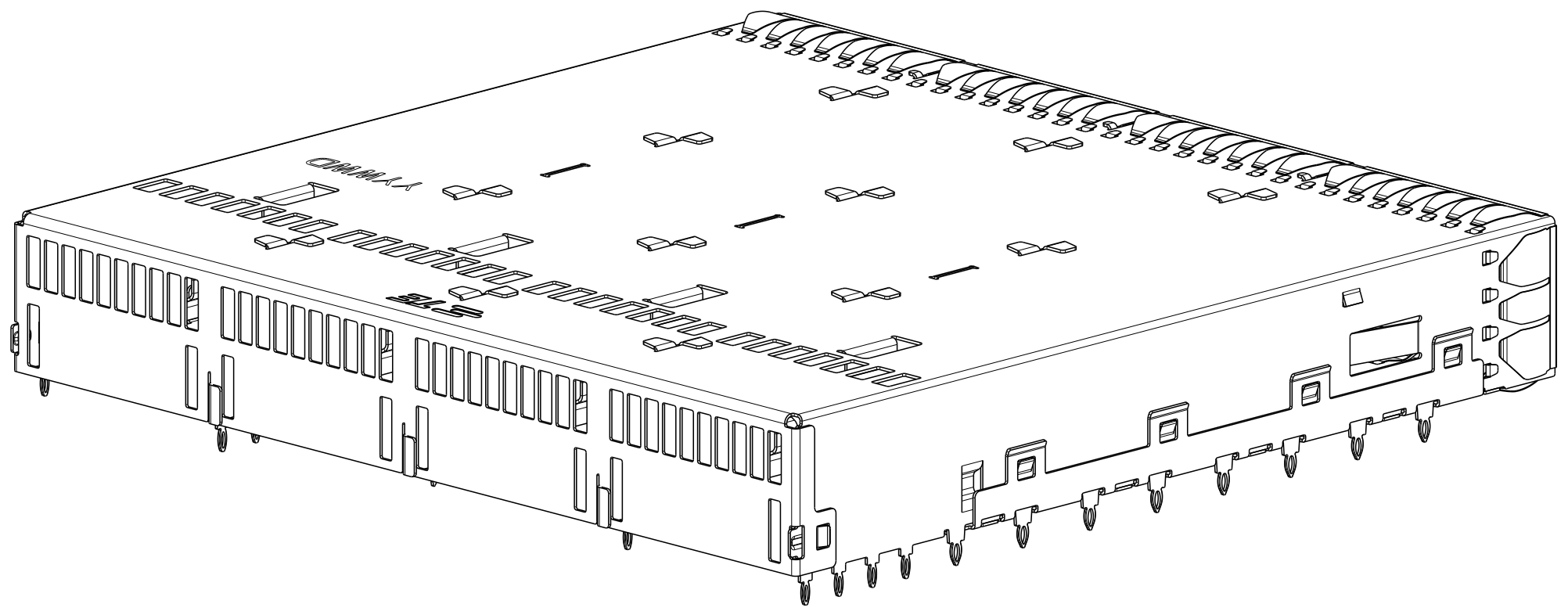
MATERIAL: 1
 FINISH: 2

PRODUCT SPEC: 108-60117
 APPLICATION SPEC: 114-130009

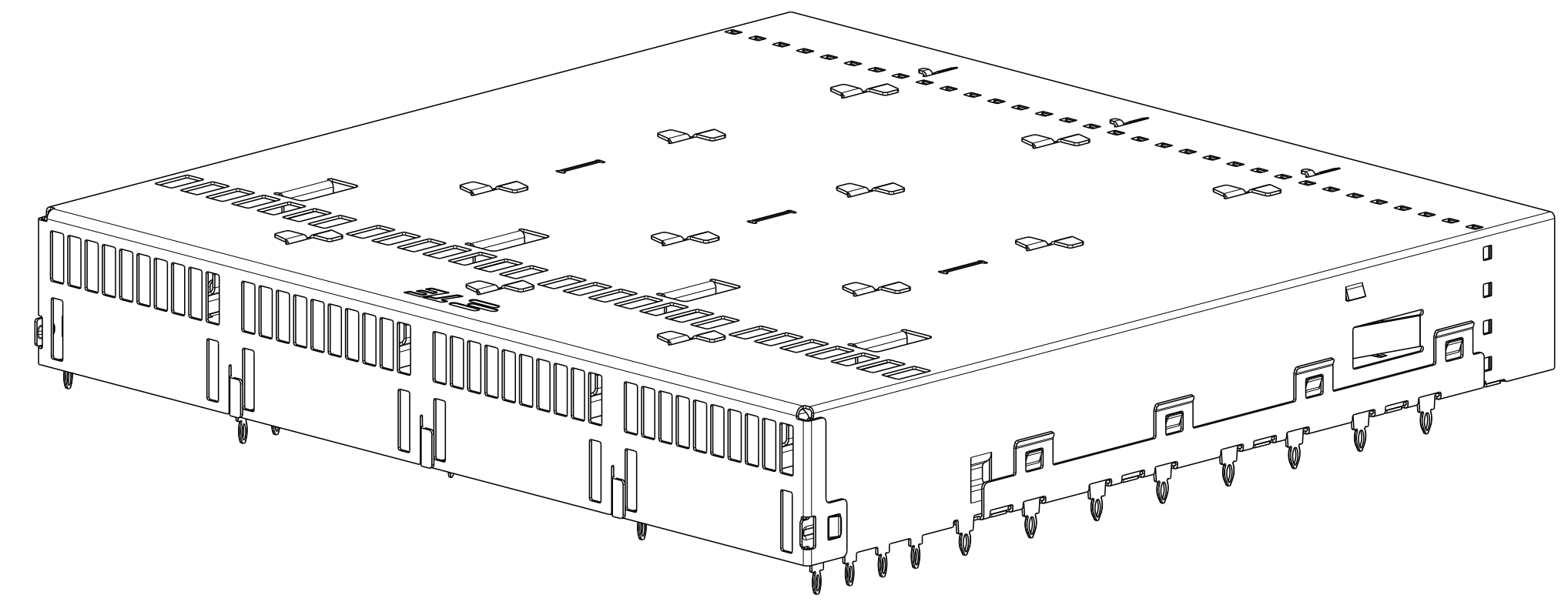
SIZE: A1
 CAGE CODE: -
 DRAWING NO: C=2338495
 RESTRICTED TO: -

CUSTOMER DRAWING SCALE: 3:1 SHEET 1 OF 8 REV: E2

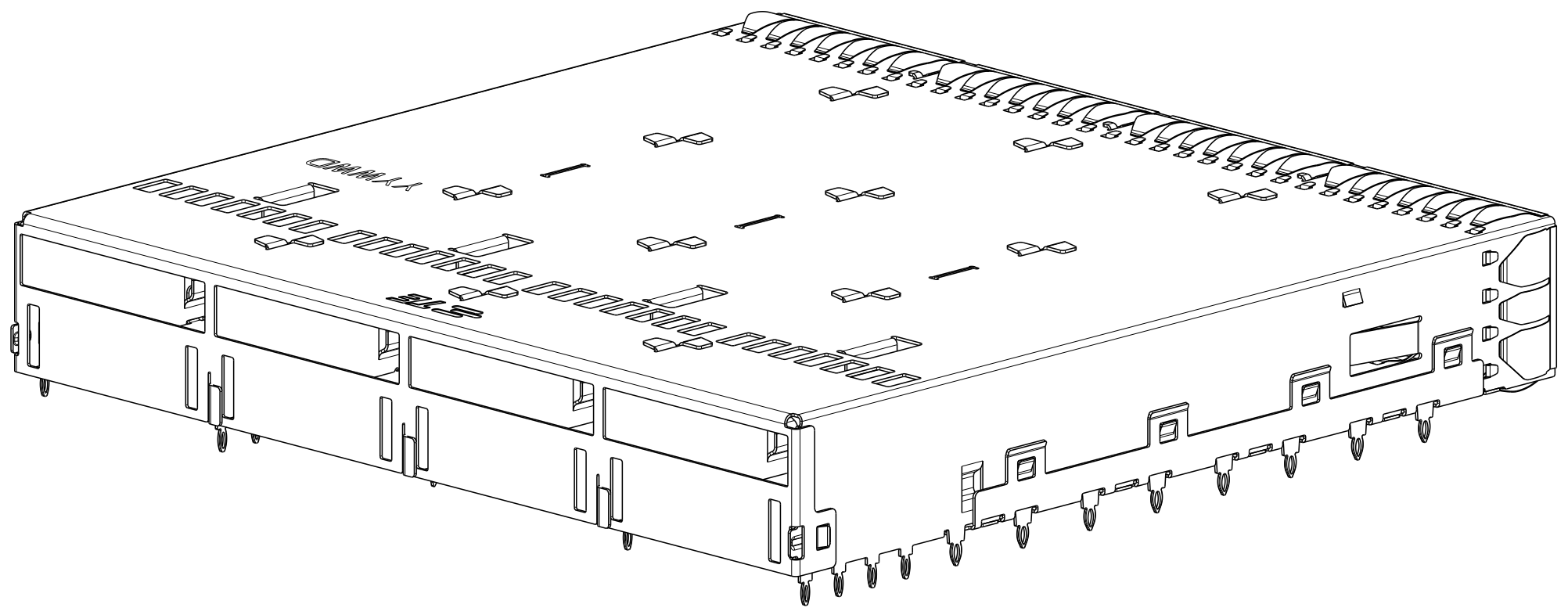
REVISIONS				
P.	LTN	DESCRIPTION	DATE	APVD
-	SEE SHEET 1			



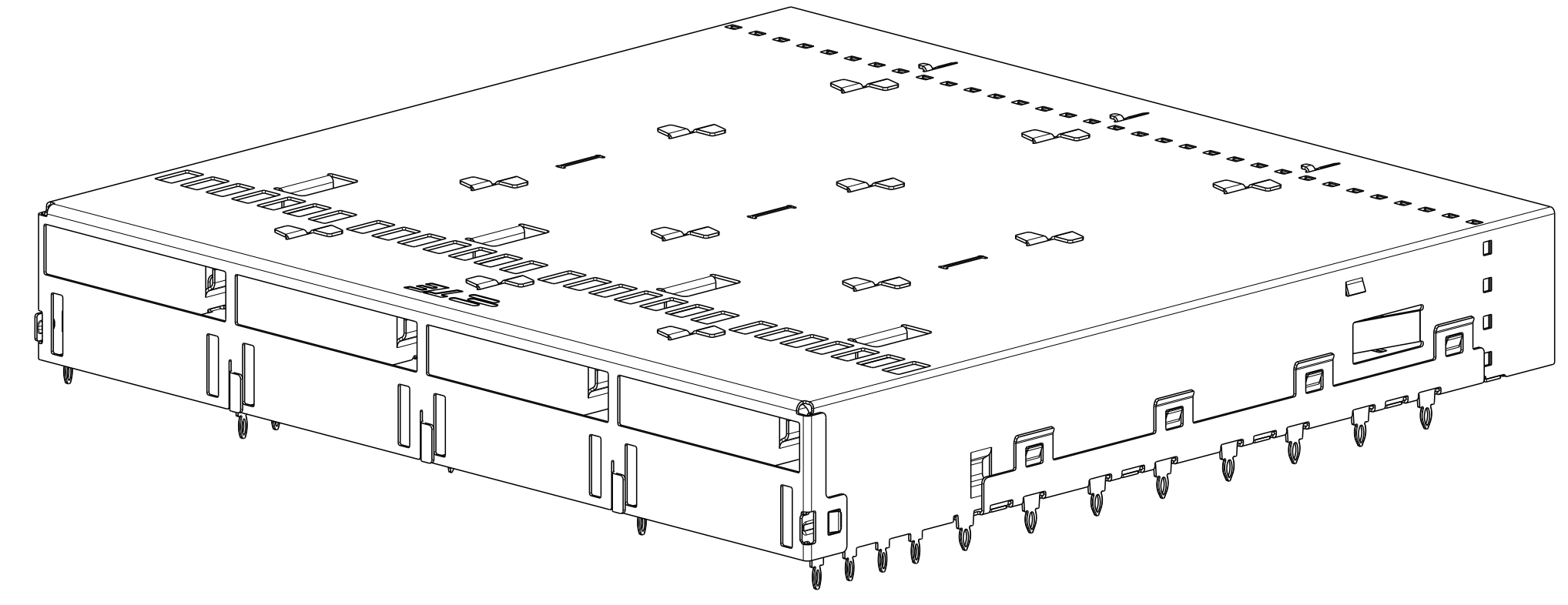
2338495-1
SCALE 2:1



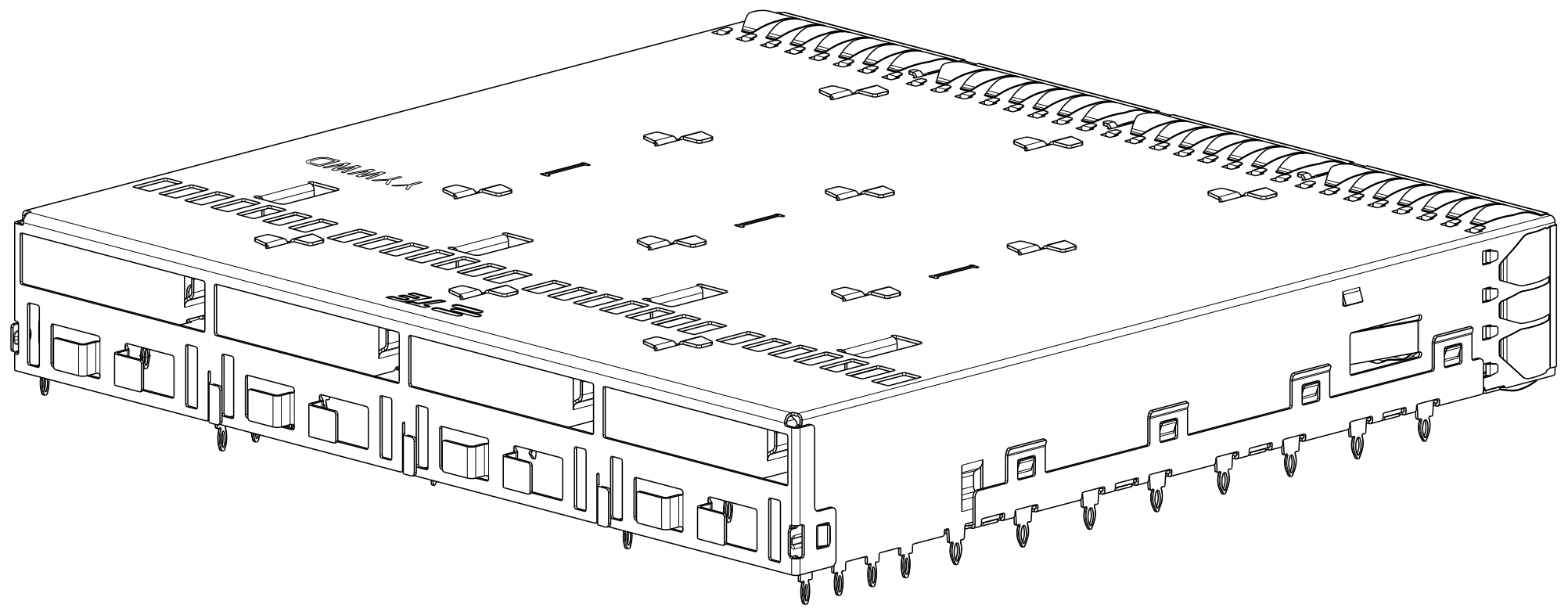
2338495-2
SCALE 2:1



2338495-3
SCALE 2:1



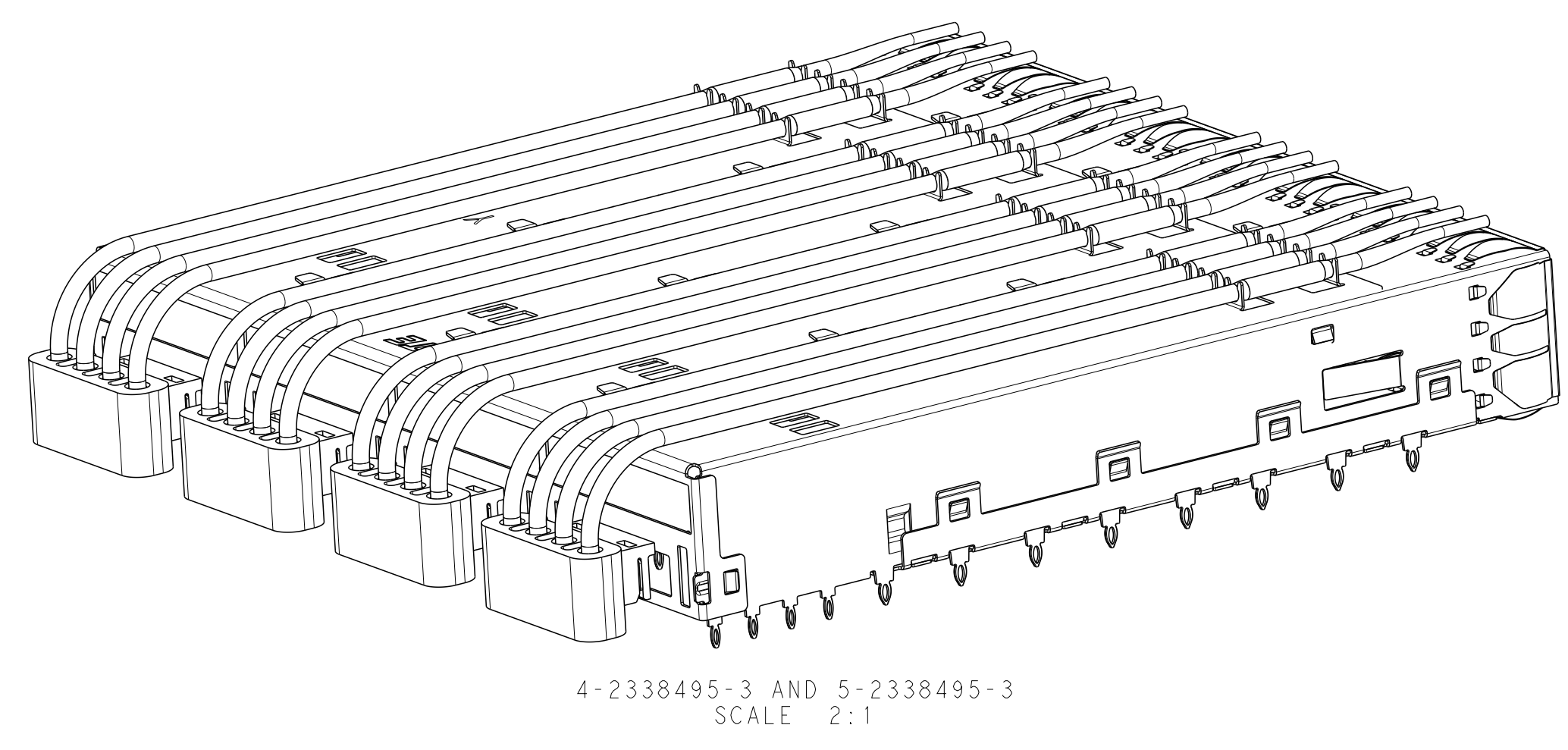
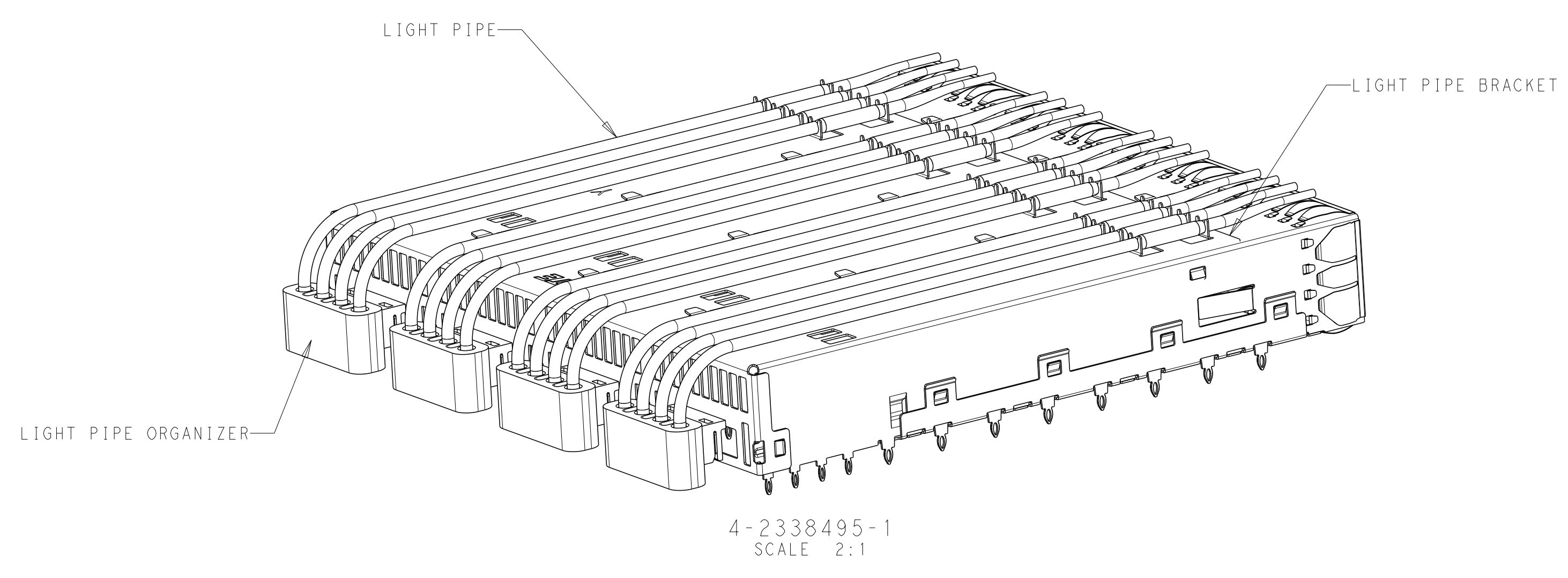
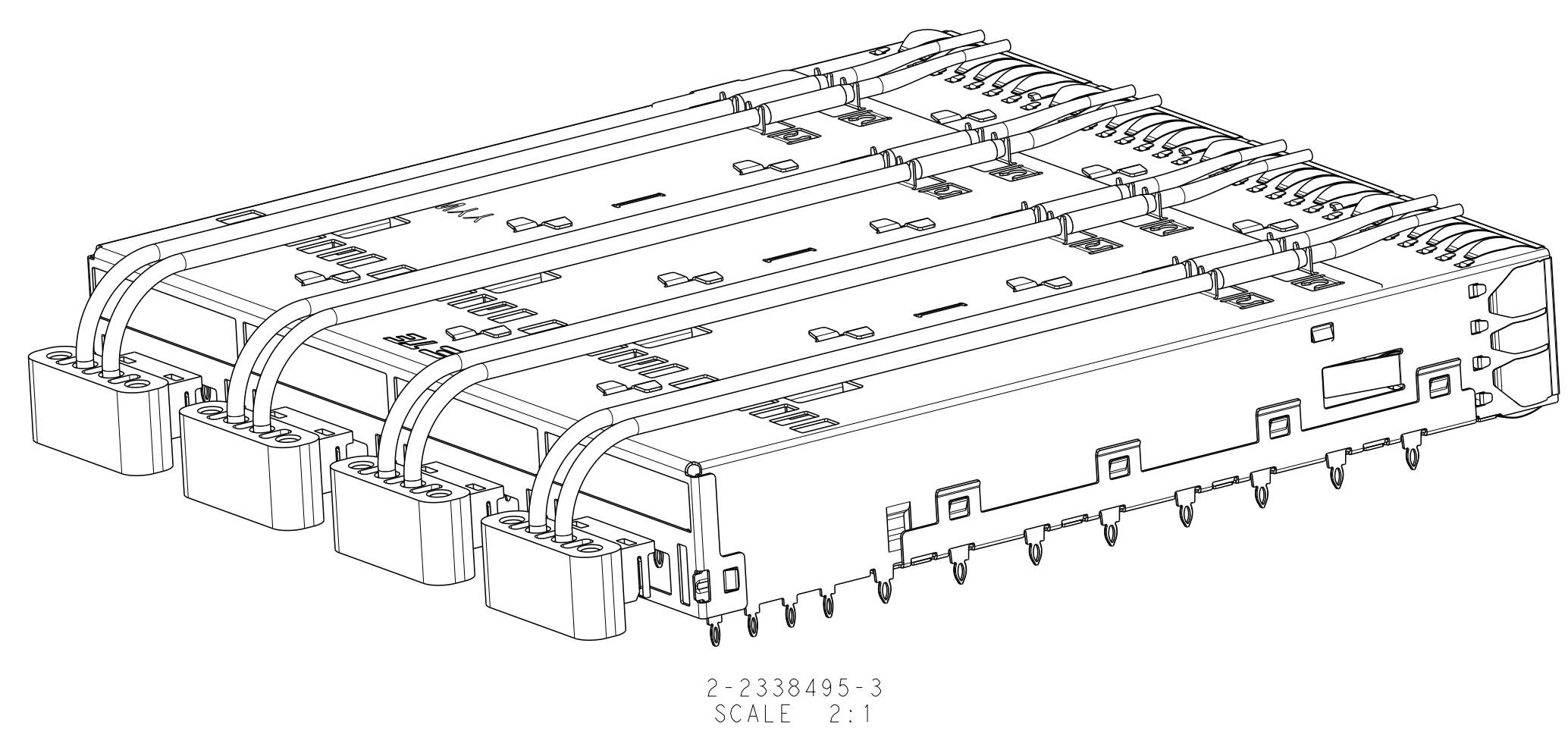
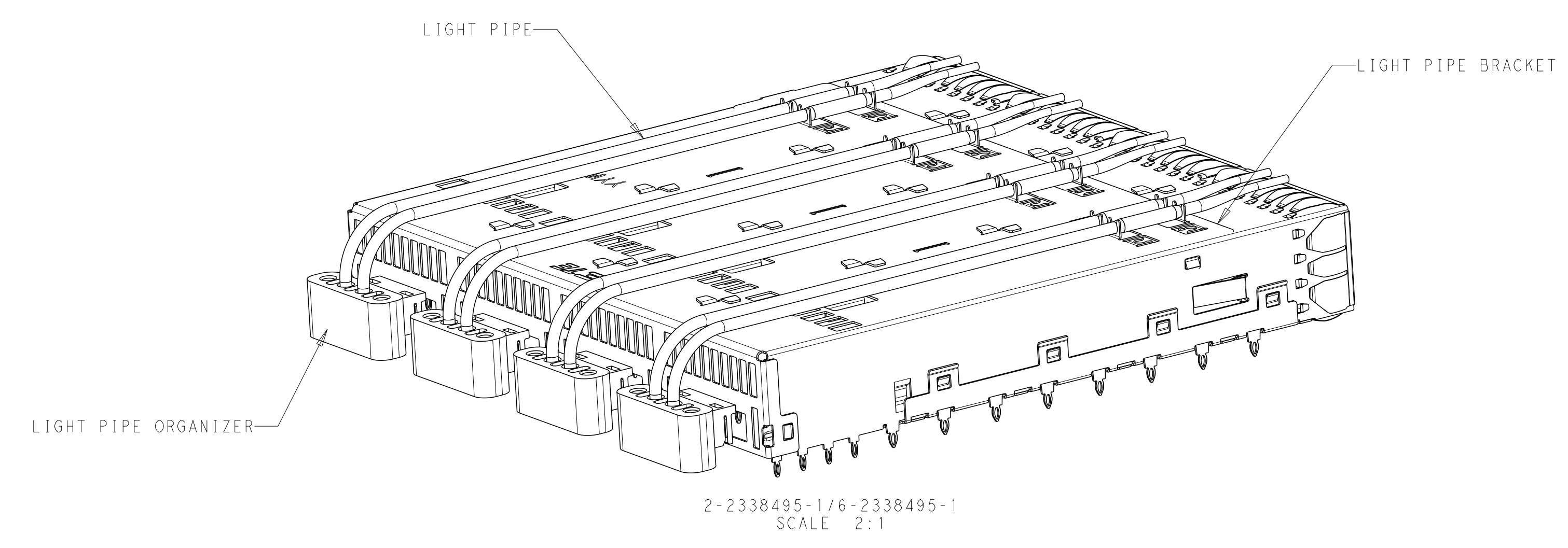
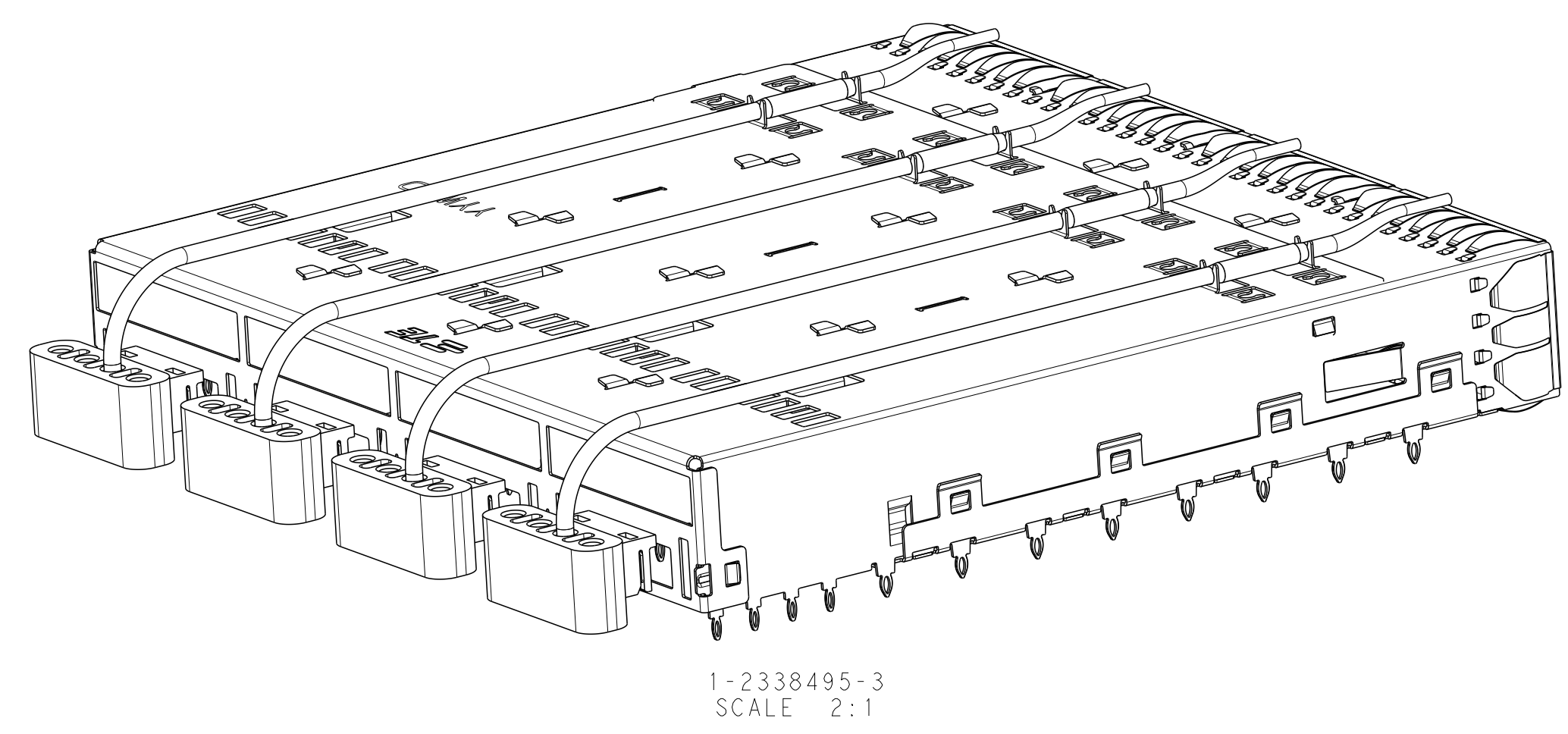
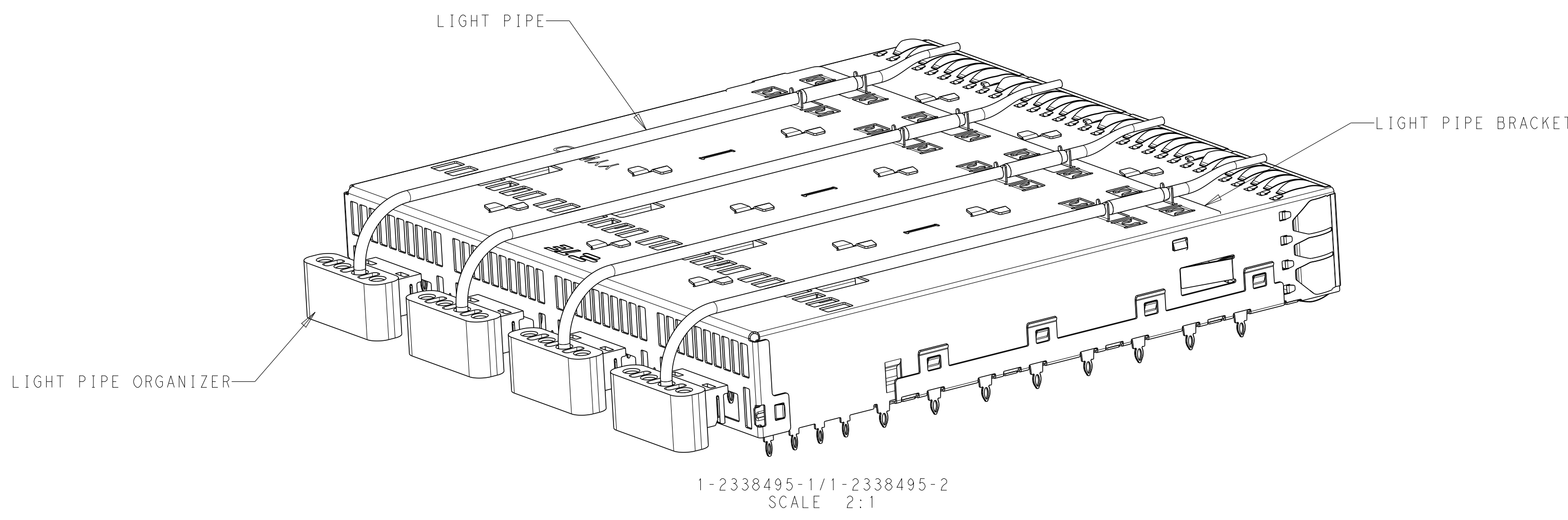
2338495-4
SCALE 2:1



2338495-5 AND 2338495-6
SCALE 2:1

THIS DRAWING IS A CONTROLLED DOCUMENT.		DWN C. VALENTINE 18JUN2018																									
DIMENSIONS: mm		CHK D. HARMON 18JUN2018																									
<table border="1"> <tr> <th>TOLERANCES UNLESS OTHERWISE SPECIFIED:</th> <th>PLC</th> <th>±</th> </tr> <tr> <td>0 PLC</td> <td>±0.25</td> <td></td> </tr> <tr> <td>1 PLC</td> <td>±0.15</td> <td></td> </tr> <tr> <td>2 PLC</td> <td>±0.10</td> <td></td> </tr> <tr> <td>3 PLC</td> <td>±0.05</td> <td></td> </tr> <tr> <td>4 PLC</td> <td>±0.02</td> <td></td> </tr> <tr> <td>ANGLES</td> <td>±</td> <td></td> </tr> <tr> <td>FINISH</td> <td>±</td> <td></td> </tr> </table>		TOLERANCES UNLESS OTHERWISE SPECIFIED:	PLC	±	0 PLC	±0.25		1 PLC	±0.15		2 PLC	±0.10		3 PLC	±0.05		4 PLC	±0.02		ANGLES	±		FINISH	±		APVD D. HARMON 18JUN2018	NAME -
TOLERANCES UNLESS OTHERWISE SPECIFIED:	PLC	±																									
0 PLC	±0.25																										
1 PLC	±0.15																										
2 PLC	±0.10																										
3 PLC	±0.05																										
4 PLC	±0.02																										
ANGLES	±																										
FINISH	±																										
MATERIAL		108-60117	PRODUCT SPEC																								
		114-130009	APPLICATION SPEC																								
WEIGHT		-	RESTRICTED TO																								
CUSTOMER DRAWING		SCALE 3:1	SHEET 2 OF 8																								
		REV E2																									

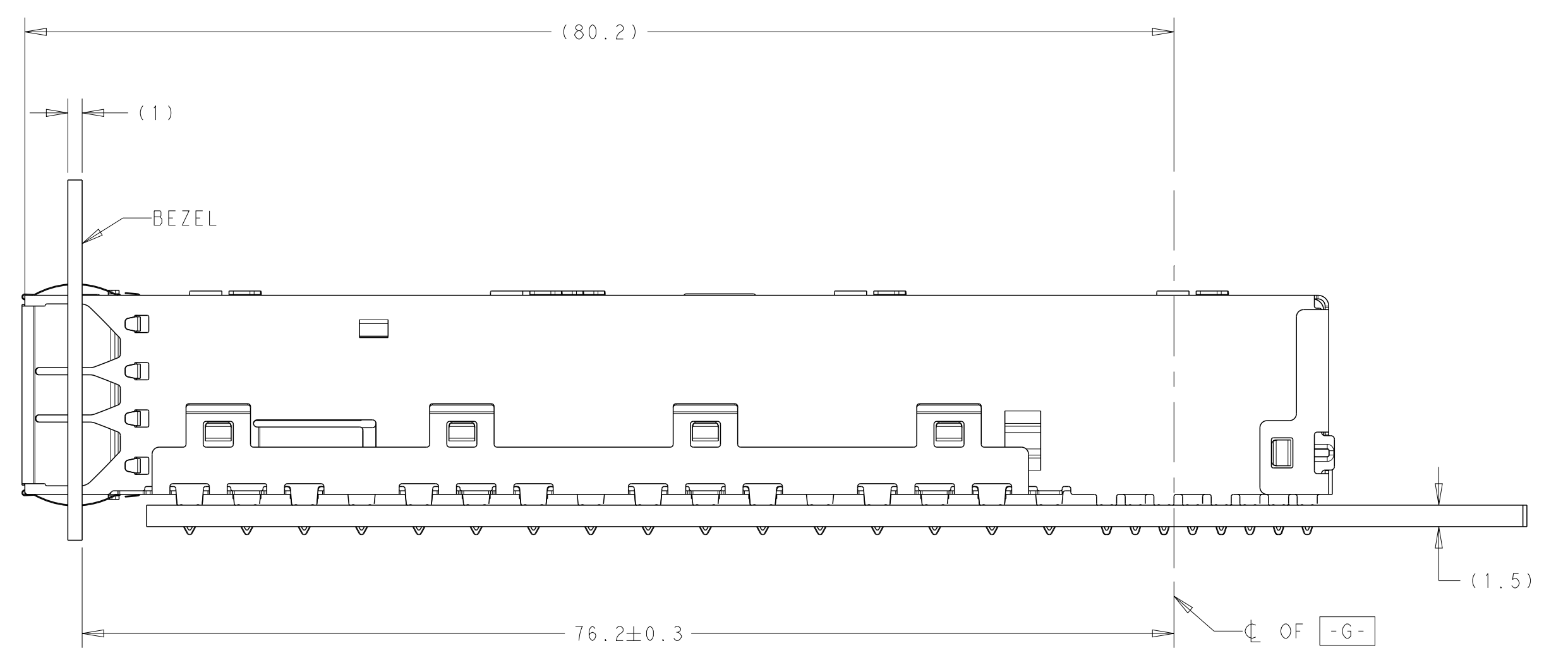
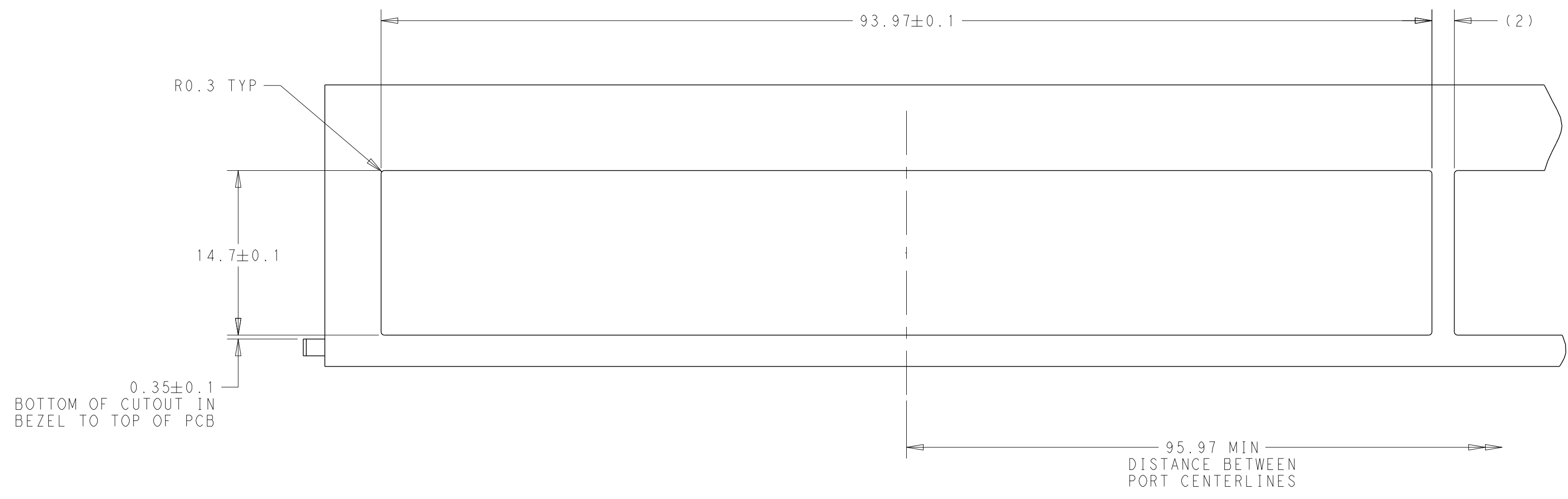
REVISIONS				
P.	LTN.	DESCRIPTION	DATE	APVD.
-	-	SEE SHEET 1	-	-



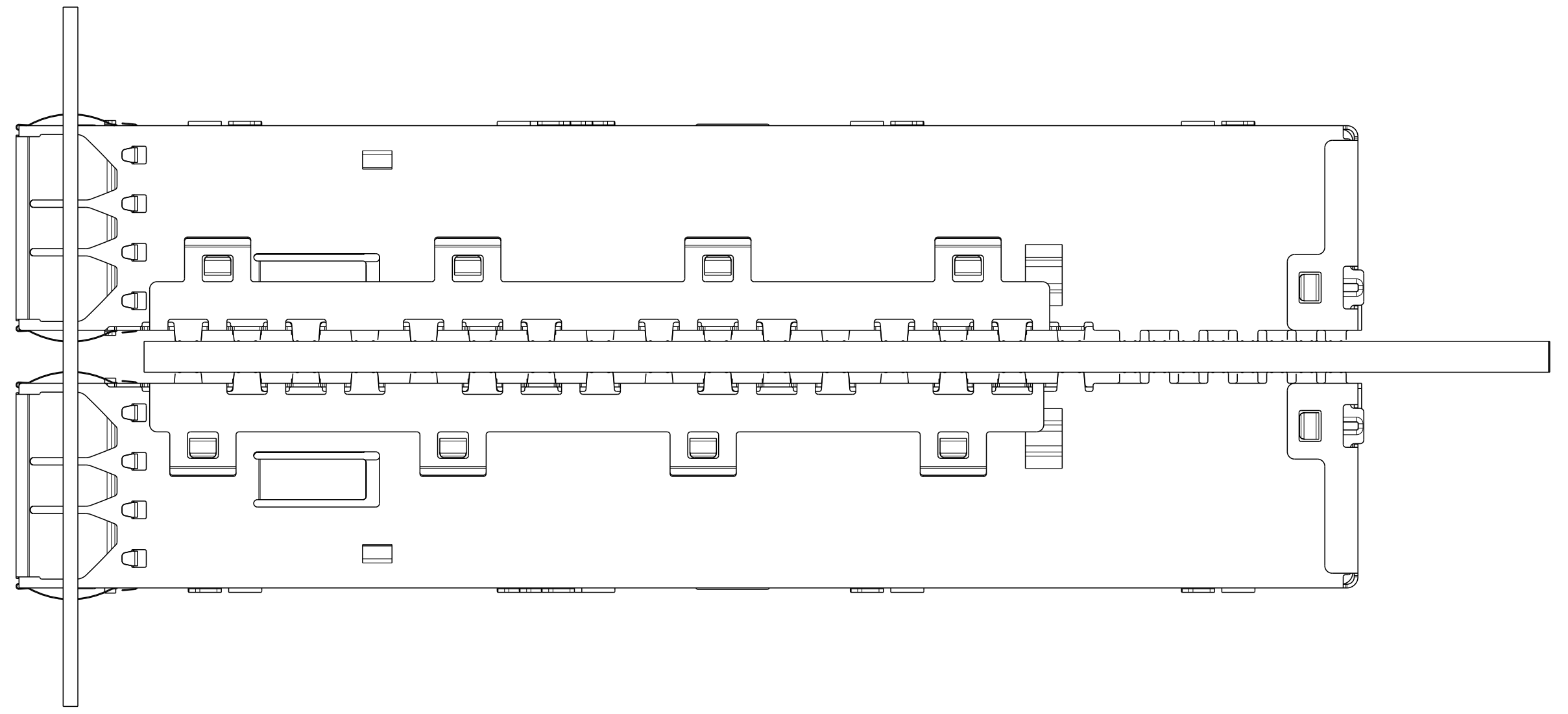
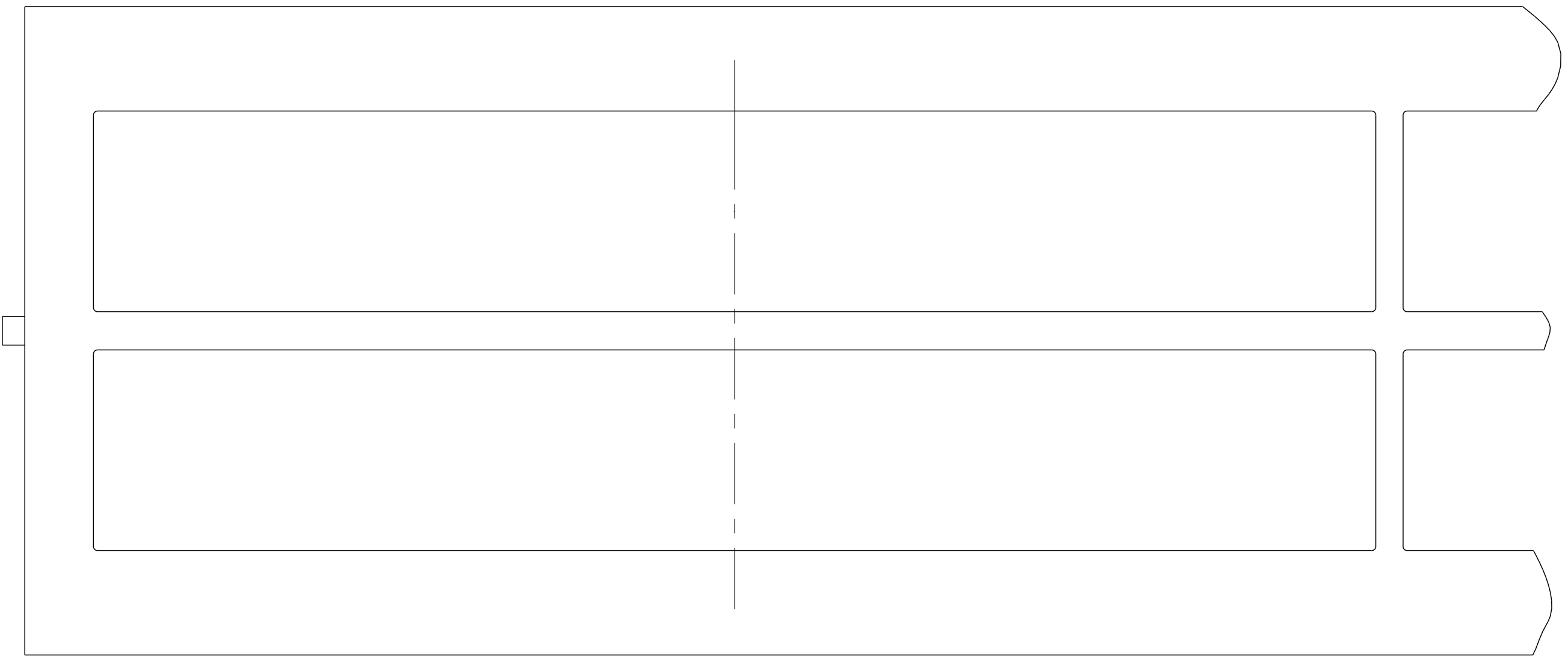
THIS DRAWING IS A CONTROLLED DOCUMENT.		OWN C. VALENTINE 18JUN2018	TE Connectivity	
DIMENSIONS:		CHK D. HARMON 18JUN2018	NAME	
TOLERANCES UNLESS OTHERWISE SPECIFIED:		APVD D. HARMON 18JUN2018	SIZE	
mm	0 PLC ±	PRODUCT SPEC	CAGE CODE	
	1 PLC ±0.25	108-60117	DRAWING NO	
	2 PLC ±0.15	APPLICATION SPEC	RESTRICTED TO	
	3 PLC ±0.10	114-130009	A1	
	4 PLC ±	WEIGHT	C=2338495	
	ANGLES ±		SCALE 3:1 SHEET 3 OF 8 REV E2	
MATERIAL	FINISH	CUSTOMER DRAWING		

THIS DRAWING IS UNPUBLISHED. RELEASED FOR PUBLICATION 20
 © COPYRIGHT 20 BY - ALL RIGHTS RESERVED.

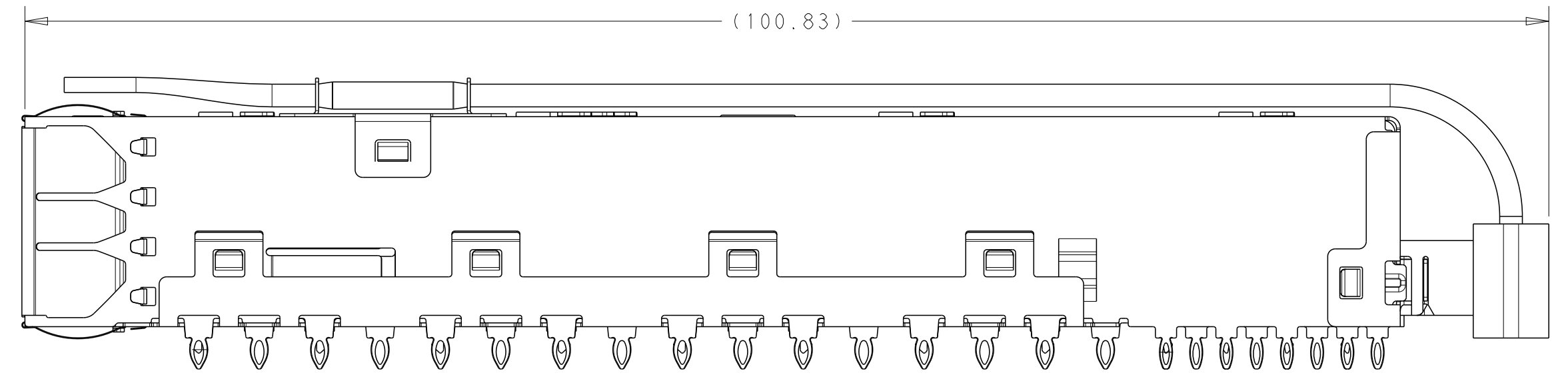
REVISIONS				
P	LTN	DESCRIPTION	DATE	APVD
-	-	SEE SHEET 1	-	-



SINGLE SIDE MOUNTING

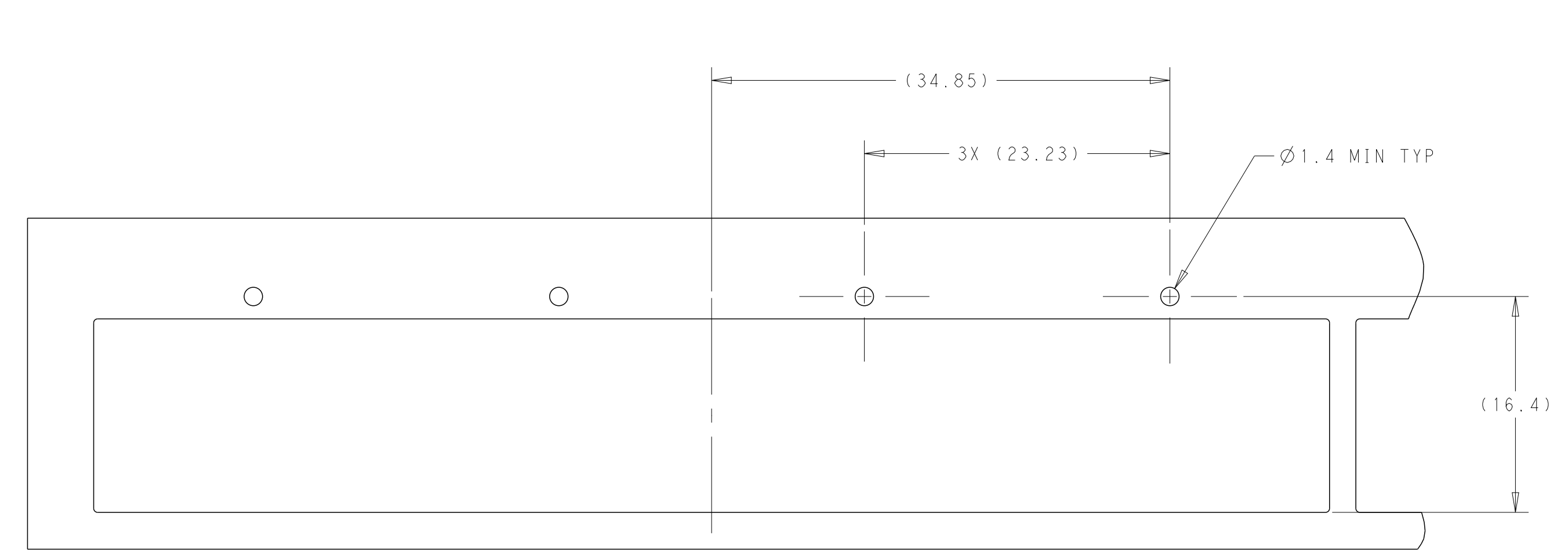


BELLY TO BELLY MOUNTING
 SAME AS SINGLE SIDE
 EXCEPT AS NOTED

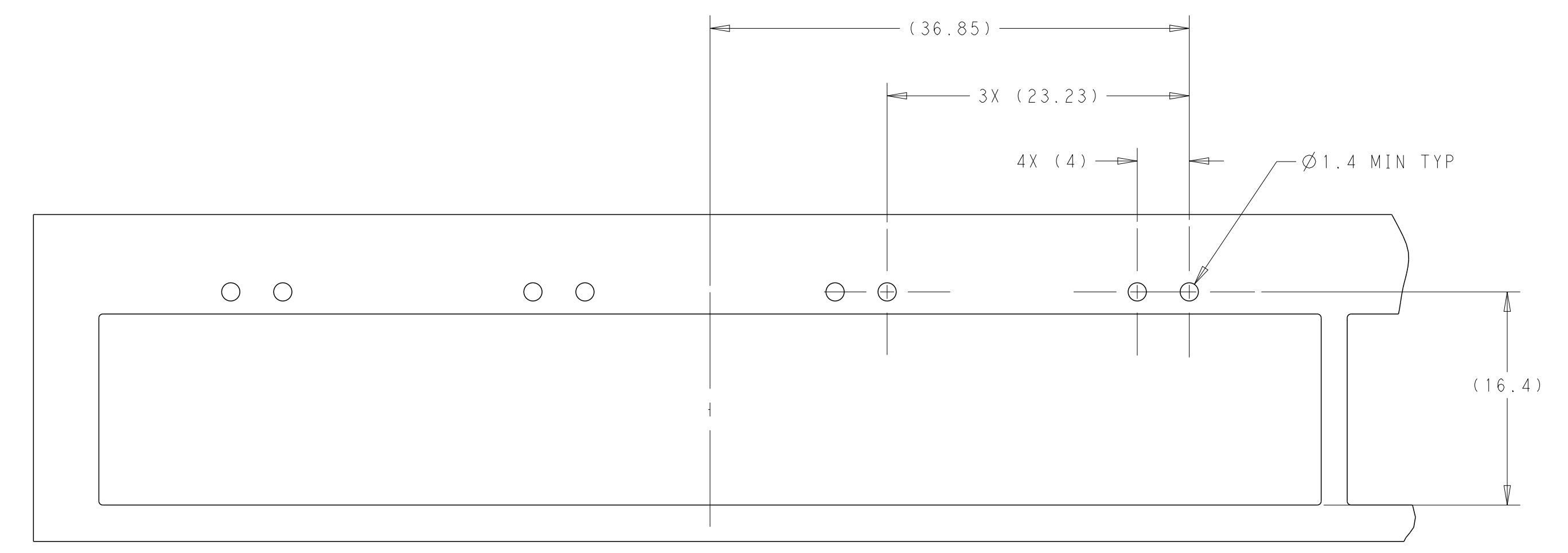


THIS DRAWING IS A CONTROLLED DOCUMENT.		DWN C. VALENTINE 18JUN2018	
DIMENSIONS:		CHK D. HARMON 18JUN2018	
mm	TOLERANCES UNLESS OTHERWISE SPECIFIED:	APVD D. HARMON 18JUN2018	NAME
0 PLC	±	PRODUCT SPEC	-
1 PLC	±0.25	108-60117	-
2 PLC	±0.15	APPLICATION SPEC	-
3 PLC	±0.10	114-130009	SIZE
4 PLC	±	WEIGHT	A1
ANGLES	±	CUSTOMER DRAWING	CAGE CODE
FINISH	±	SCALE	3:1
MATERIAL		RESTRICTED TO	SHEET
CUSTOMER DRAWING		4	OF
SCALE		3:1	8
SHEET		4	REV
DRAWING NO		2	E2

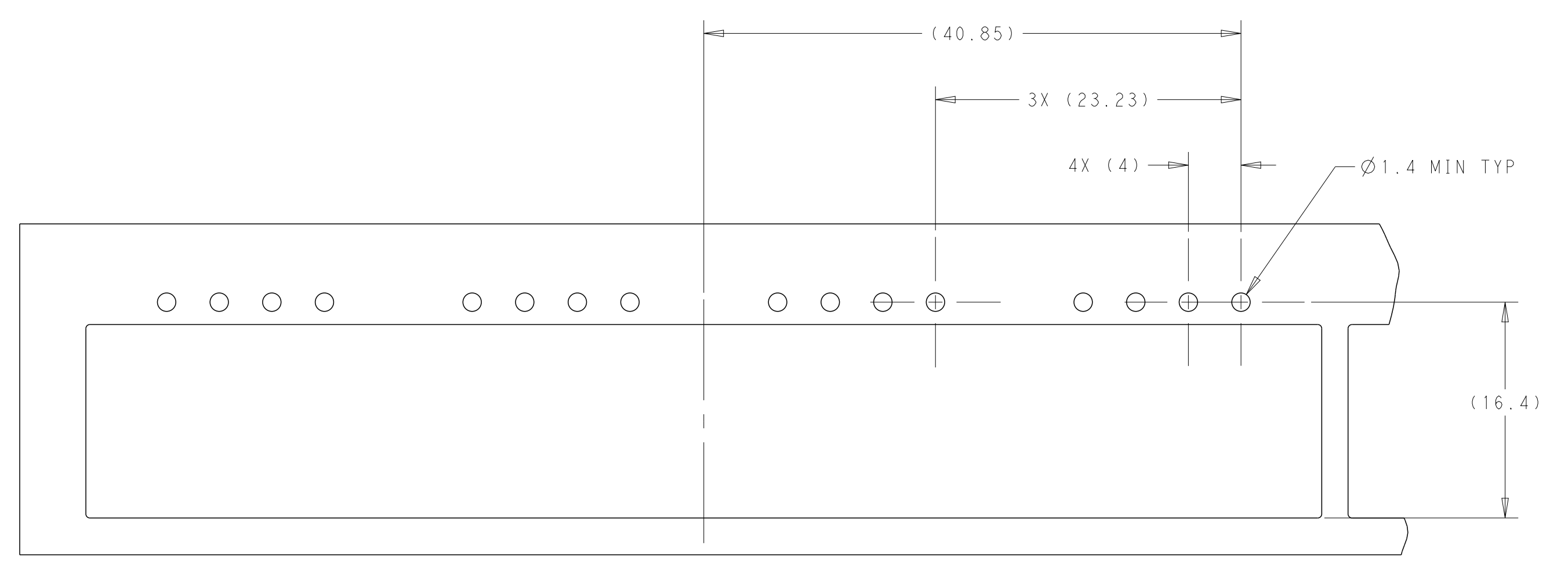
REVISIONS				
P	LTN	DESCRIPTION	DATE	OWN APVD
-	-	SEE SHEET 1	-	-



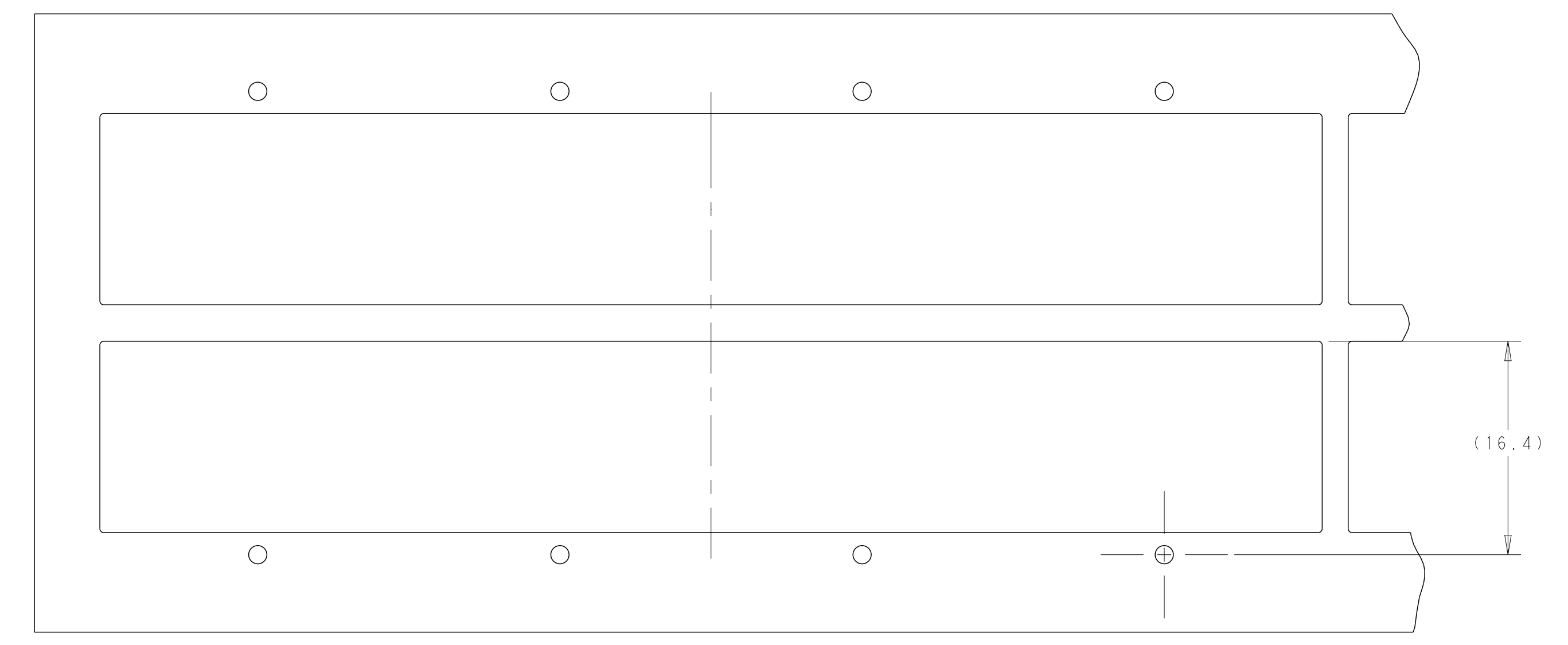
BEZEL LAYOUT FOR SINGLE LIGHT PIPE
SINGLE SIDE




BEZEL LAYOUT FOR DOUBLE LIGHT PIPE
SINGLE SIDE



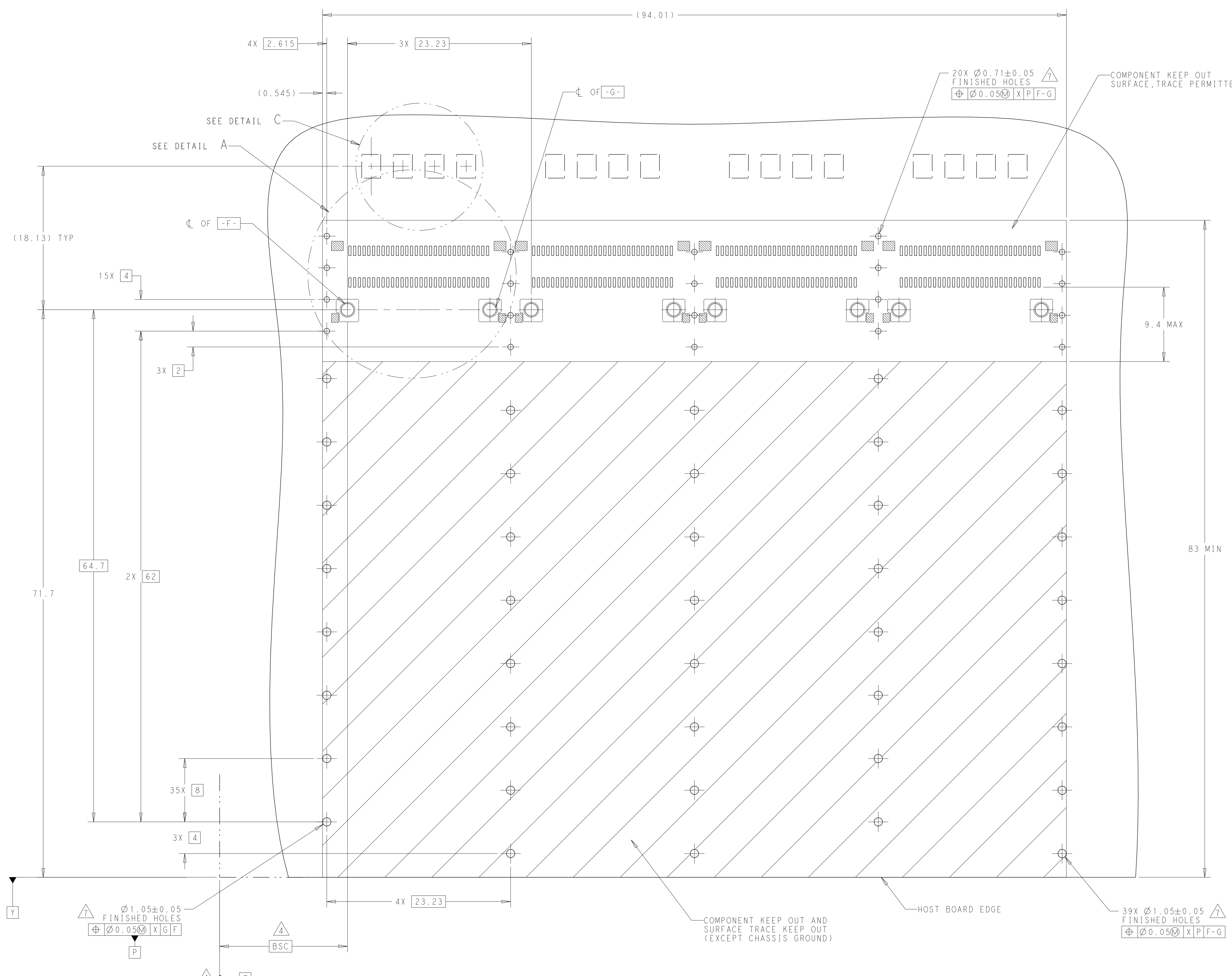
BEZEL LAYOUT FOR QUAD LIGHT PIPE
SINGLE SIDE



BEZEL LAYOUT FOR LIGHT PIPES
BELLY TO BELLY
SIMILAR TO SINGLE SIDE
EXCEPT WHERE NOTED

THIS DRAWING IS A CONTROLLED DOCUMENT.		OWN C. VALENTINE 18JUN2018	 TE Connectivity	
DIMENSIONS:		CHK D. HARMON 18JUN2018		
mm	TOLERANCES UNLESS OTHERWISE SPECIFIED:	APVD D. HARMON 18JUN2018	NAME	-
0 PLC	±	PRODUCT SPEC	-	-
1 PLC	±0.25	108-60117	SIZE	A1
2 PLC	±0.15	APPLICATION SPEC	CAGE CODE	-
3 PLC	±0.10	114-130009	DRAWING NO	2338495
4 PLC	±	WEIGHT	RESTRICTED TO	-
ANGLES	±	CUSTOMER DRAWING	SCALE	3:1
FINISH	±	SCALE	SHEET	5 OF 8
			REV	E2

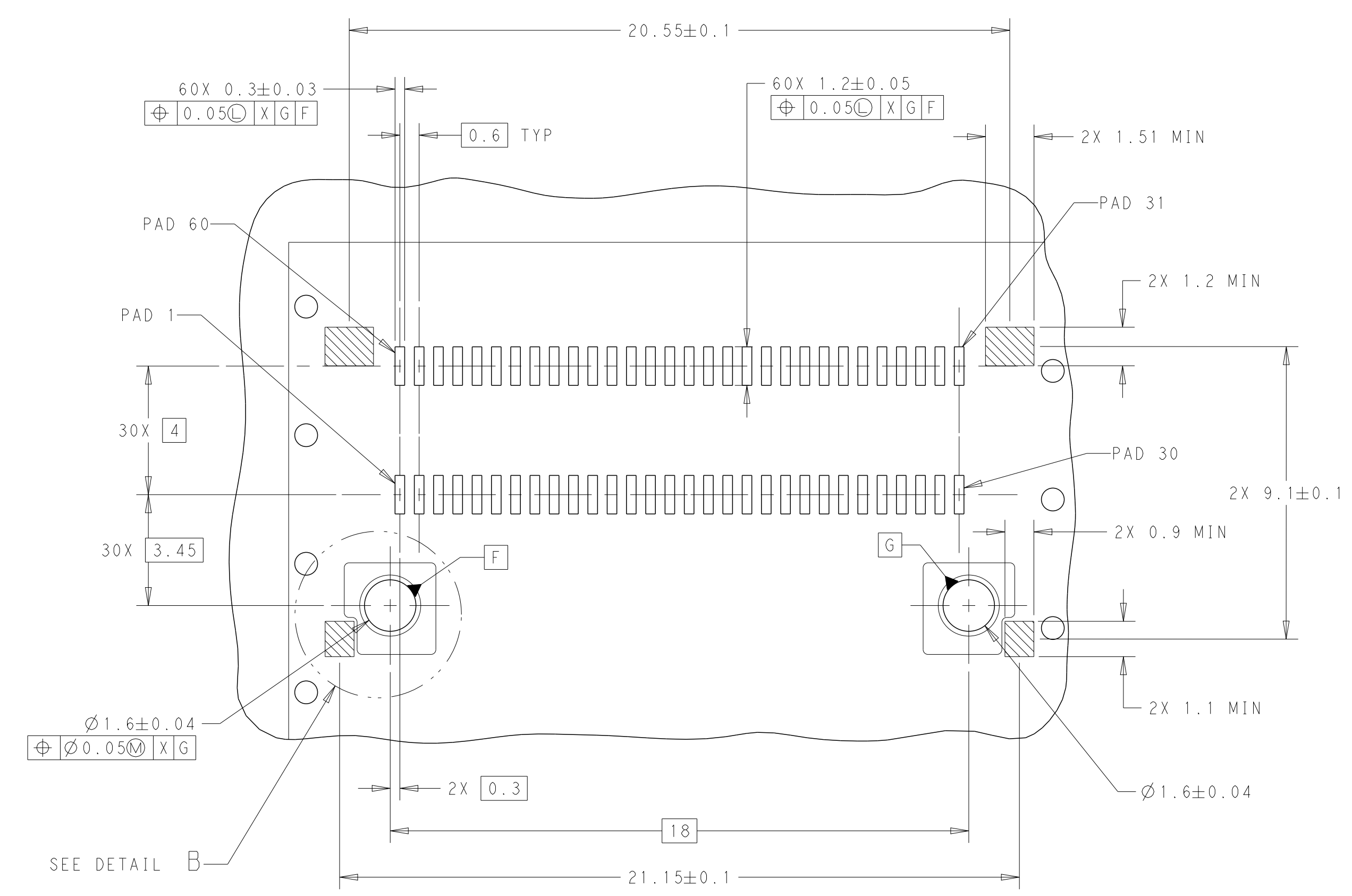
REVISIONS				
P	LTN	DESCRIPTION	DATE	APVD
-	-	SEE SHEET 1	-	-



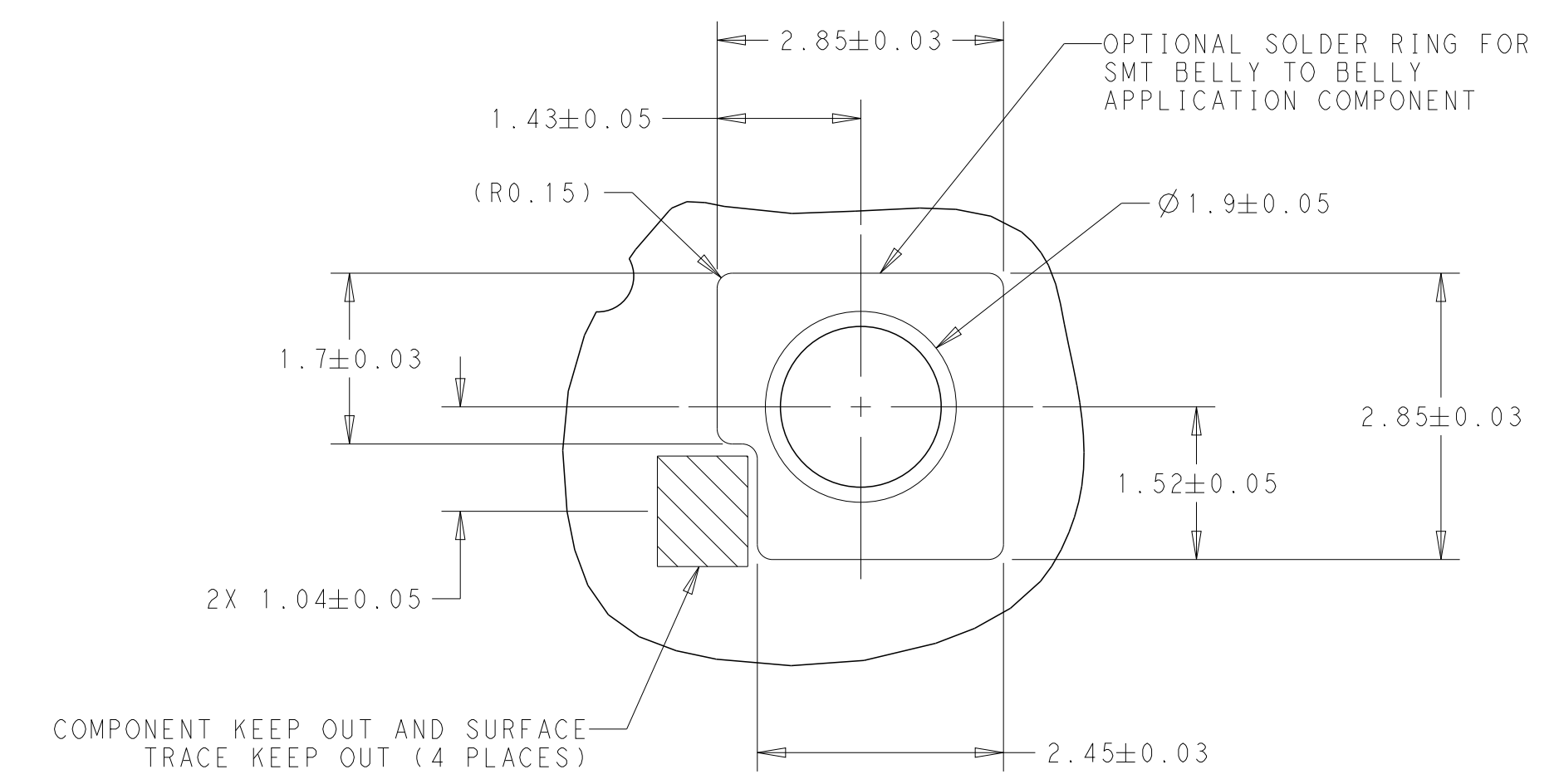
RECOMMENDED PCB LAYOUT
SINGLE SIDED APPLICATION
SCALE 4:1

THIS DRAWING IS A CONTROLLED DOCUMENT.		DWN C. VALENTINE 18JUN2018 CHK D. HARMON 18JUN2018 APVD D. HARMON 18JUN2018	NAME - PRODUCT SPEC - 108-60117 APPLICATION SPEC - 114-130009 WEIGHT -	STE TE Connectivity
DIMENSIONS: mm 	TOLERANCES UNLESS OTHERWISE SPECIFIED: 0 PLC ± 1 PLC ±0.25 2 PLC ±0.15 3 PLC ±0.10 4 PLC ± ANGLES ± FINISH ±	SIZE A1 CAGE CODE - DRAWING NO. C=2338495	RESTRICTED TO - SCALE 3:1 SHEET 6 OF 8 REV E2	CUSTOMER DRAWING

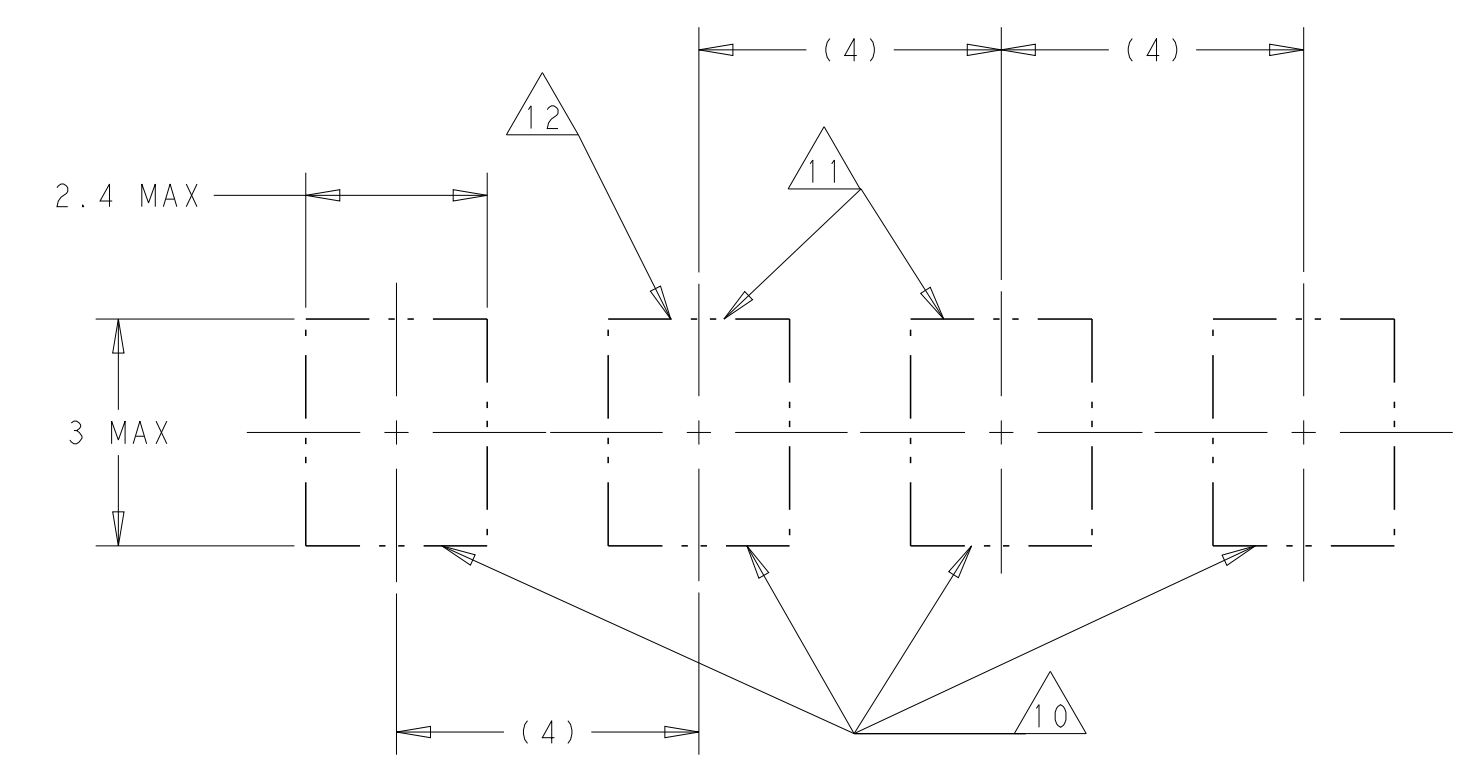
REVISIONS				
P	LTN	DESCRIPTION	DATE	APVD
-	-	SEE SHEET 1	-	-



4X INDIVIDUALLY
 DETAIL A
 SCALE 8:1



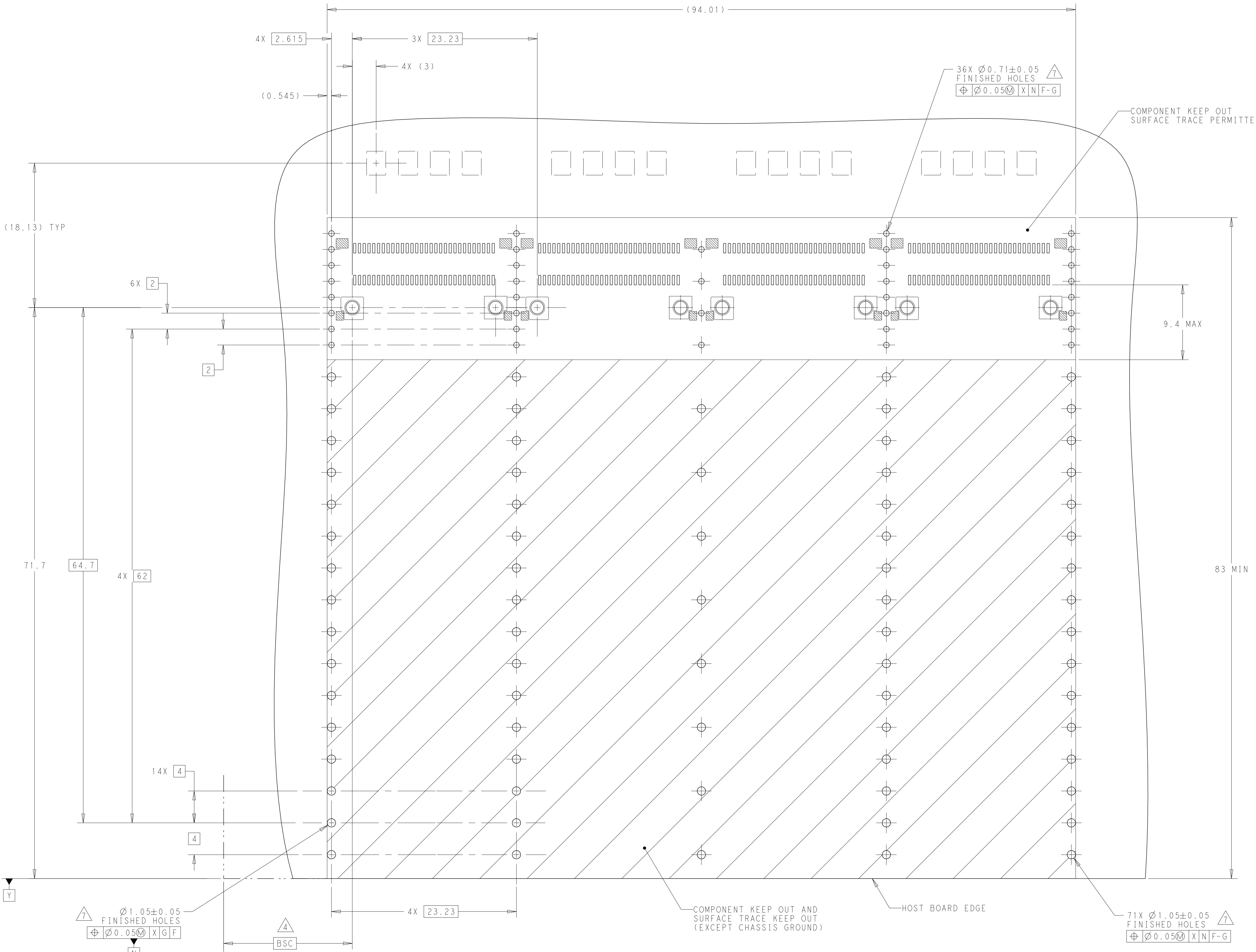
DETAIL B
 SCALE 16:1



DETAIL C
 SCALE 10:1

THIS DRAWING IS A CONTROLLED DOCUMENT.		DWN C. VALENTINE 18JUN2018 CHK D. HARMON 18JUN2018 APVD D. HARMON 18JUN2018	STE TE Connectivity	
DIMENSIONS:	TOLERANCES UNLESS OTHERWISE SPECIFIED:	NAME	-	
mm	0 PLC ± 1 PLC ±0.25 2 PLC ±0.15 3 PLC ±0.10 4 PLC ± ANGLES ± FINISH ±	PRODUCT SPEC	-	
		APPLICATION SPEC	-	
MATERIAL		114-130009	SIZE	A1
		WEIGHT	CAGE CODE	-
		CUSTOMER DRAWING	DRAWING NO	C=2338495
		SCALE	SHEET	7 OF 8
			REV	E2

REVISIONS				
P.	LTN.	DESCRIPTION	DATE	APVD.
-	-	SEE SHEET 1	-	-



RECOMMENDED PCB LAYOUT
 BELLY TO BELLY APPLICATION
 SCALE 4:1

THIS DRAWING IS A CONTROLLED DOCUMENT.		DWN C. VALENTINE 18JUN2018 CHK D. HARMON 18JUN2018 APVD D. HARMON 18JUN2018	NAME - PRODUCT SPEC - APPLICATION SPEC 108-60117 114-130009 WEIGHT -	SIZE A1 CAGE CODE - DRAWING NO. C=2338495 RESTRICTED TO -
DIMENSIONS: mm 0 PLC ±0.25 2 PLC ±0.15 3 PLC ±0.10 4 PLC ±0.05 ANGLES ±° FINISH	TOLERANCES UNLESS OTHERWISE SPECIFIED:	CUSTOMER DRAWING	SCALE 3:1 SHEET 8 OF 8 REV E2	TE Connectivity