

4

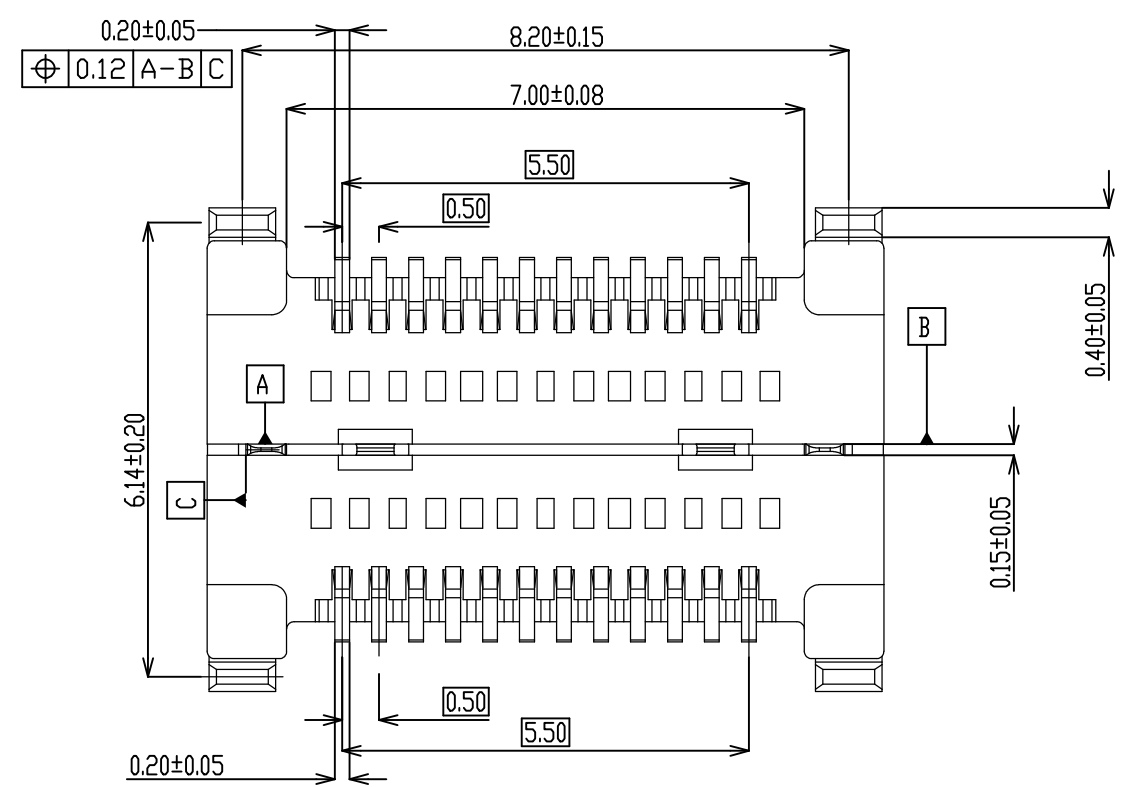
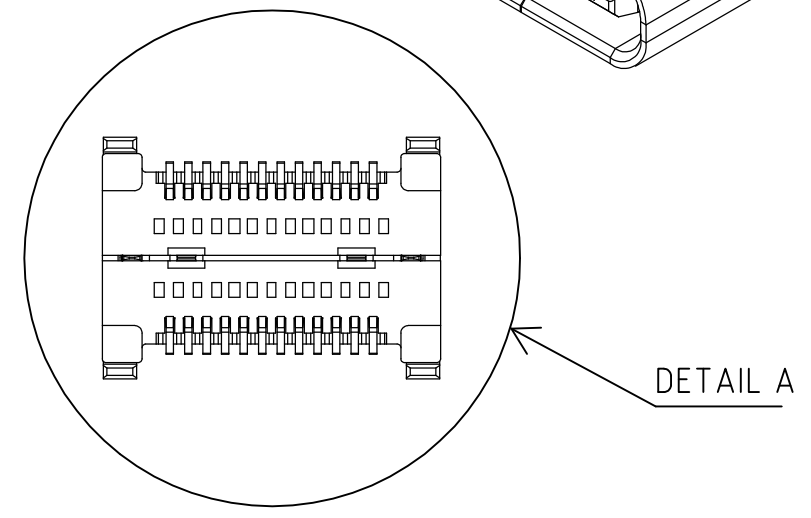
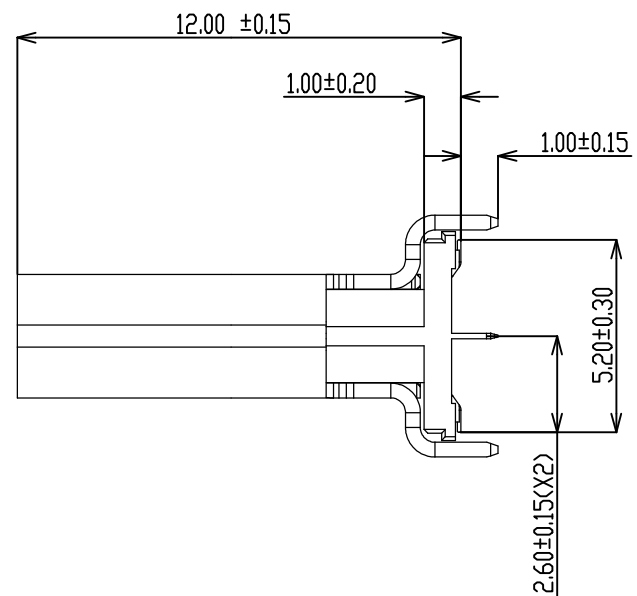
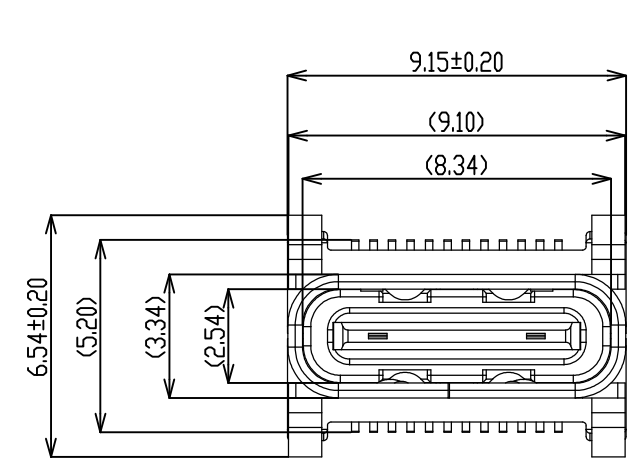
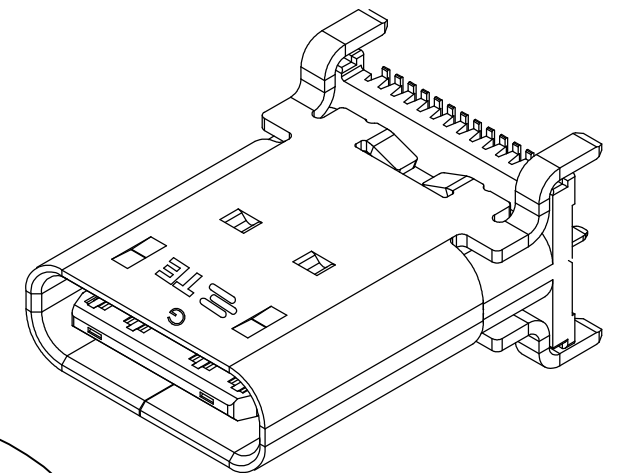
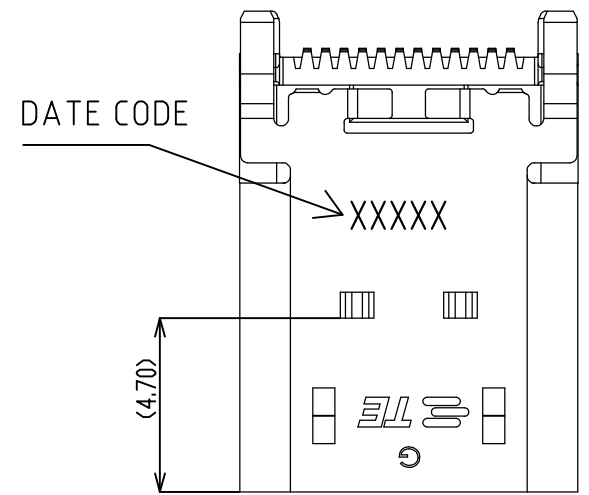
3

2

1

THIS DRAWING IS UNPUBLISHED. RELEASED FOR PUBLICATION
 © COPYRIGHT - By - ALL RIGHTS RESERVED.

LOC	DIST	REVISIONS					
		P	LTR	DESCRIPTION	DATE	DWN	APVD
-	-	A		INITIAL RELEASE	21NOV2018	RM	SL

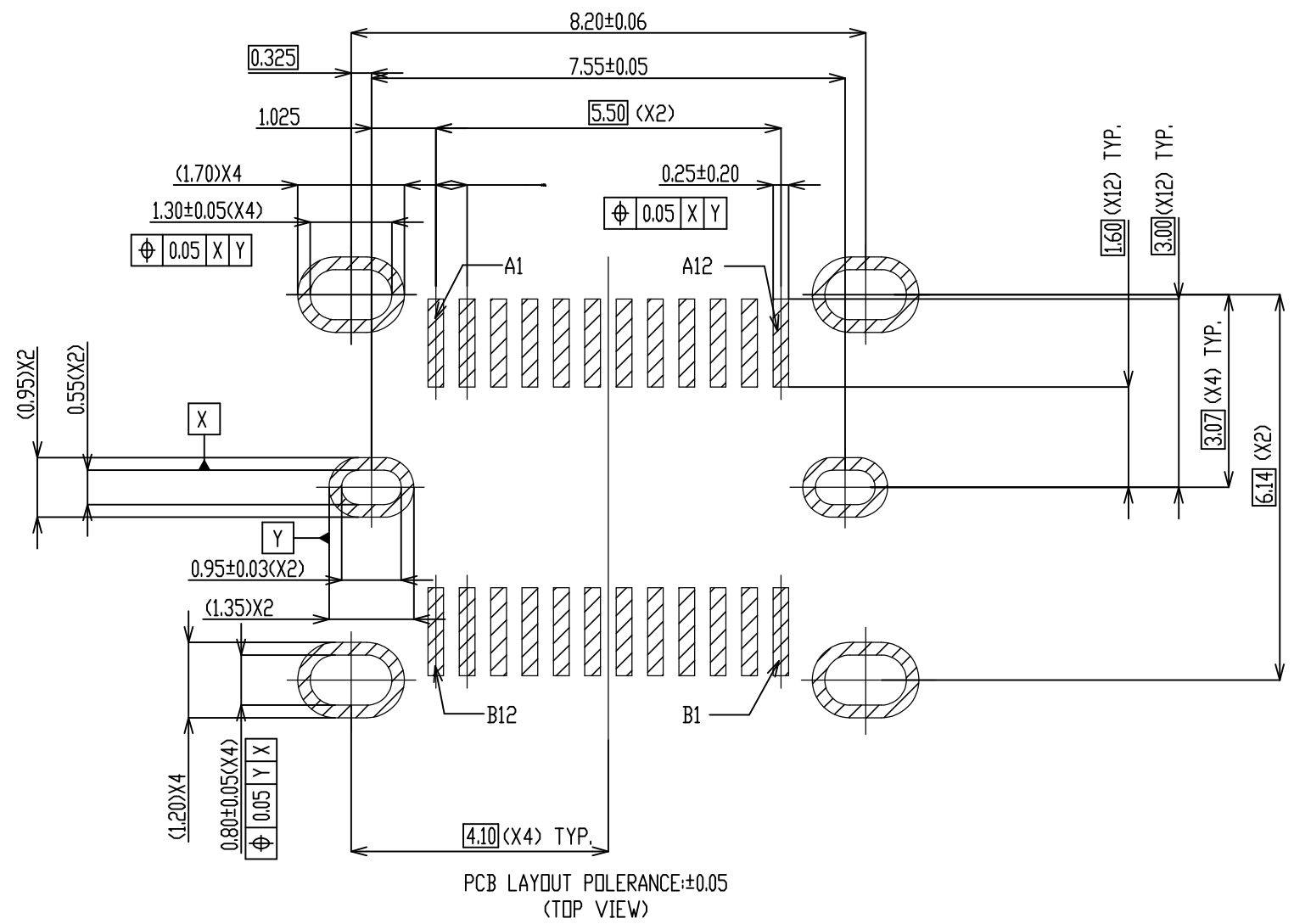


DETAIL A
SCALE 10 : 1

THIS DRAWING IS A CONTROLLED DOCUMENT.		DWN RICHARD MA 7JUN2018	2337857-1 PART NUMBER	
DIMENSIONS: mm		CHK RICHARD MA 7JUN2018		
TOLERANCES UNLESS OTHERWISE SPECIFIED:		APVD SIMON LI 7JUN2018		
<ul style="list-style-type: none"> 0 PLC ± - 1 PLC ± - 2 PLC ± 0.15 3 PLC ± - 4 PLC ± - ANGLES ± 1° 		NAME	USB TYPE C RECEPTABLE VERTICAL TYPE	
MATERIAL SEE NOTE		FINISH SEE NOTE	APPLICATION SPEC	108-115145
		WEIGHT -	SIZE A3	CAGE CODE 00779
		CUSTOMER DRAWING	DRAWING NO	C=2337857
		SCALE 1:1	SHEET 1 of 3	REV A

THIS DRAWING IS UNPUBLISHED. RELEASED FOR PUBLICATION
 © COPYRIGHT - By - ALL RIGHTS RESERVED.

LOC	DIST	REVISIONS					
		P	LTR	DESCRIPTION	DATE	DWN	APVD
-	-	-	-	SEE SHEET 1	-	-	-

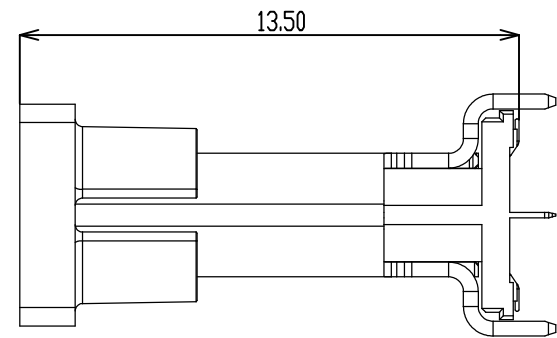
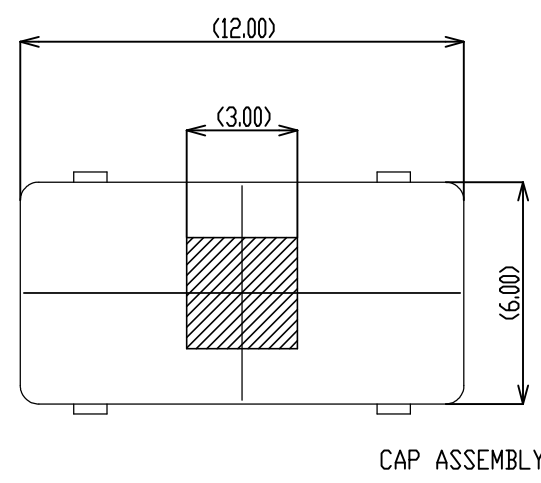
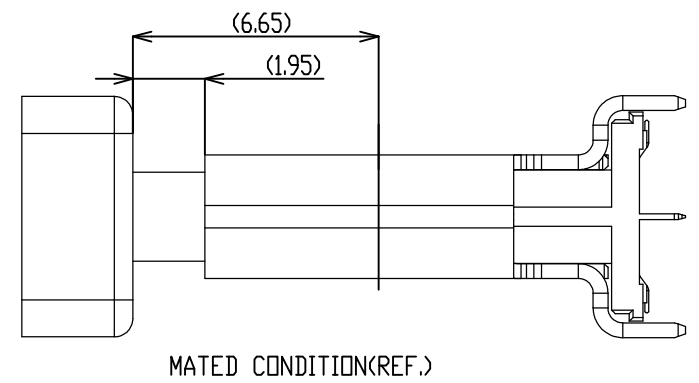


NOTES?

1.MATERAL
 HOUSING :HIGH TEMPERATURE THERMAL PLASTIC,BLACK,UL94-V0
 CONTACT :COPPER ALLOY
 SHELL :STAINLESS STEEL
 MIDDLE PLATE:STAINLESS STEEL

2.PLATING
 CONTACT:0.00076mm [30u"] MIN. GOLD PLATING ON CONTACT AREA.
 0.00254um [100u"] MIN. MATTE TIN PLATING ON SOLDER TAILS,
 WITH ENTIRE CONTACT UNDERPLATED 0.00127mm [50u"] MIN. NICKEL.
 SHELL: 0.00127mm [50u"] MIN. NICKEL UNDER PLATING OVERALL.
 MIDDLE PLATE: 0.00127mm [50u"] MIN. NICKEL UNDER PLATING OVERALL.

3.COPLANARITY OF SMT PINS SOLDER TAIL:
 0.08MAX BEFORE REFLOW,0.10MAX. AFTER REFLOW



THIS DRAWING IS A CONTROLLED DOCUMENT.		DWN	-	TE Connectivity USB TYPE C RECEPTABLE VERTICAL TYPE	NAME
DIMENSIONS: mm		CHK	-		
TOLERANCES UNLESS OTHERWISE SPECIFIED:		APVD	-		
0 PLC ± - 1 PLC ± - 2 PLC ± 0.15 3 PLC ± - 4 PLC ± - ANGLES ± 1°		PRODUCT SPEC	-		
MATERIAL	SEE NOTE	FINISH	SEE NOTE	APPLICATION SPEC	-
CUSTOMER DRAWING		WEIGHT	-	SIZE	A3
				CAGE CODE	00779
				DRAWING NO	C=2337857
				RESTRICTED TO	-
		SCALE	1:1	SHEET	2 of 3
				REV	A

4

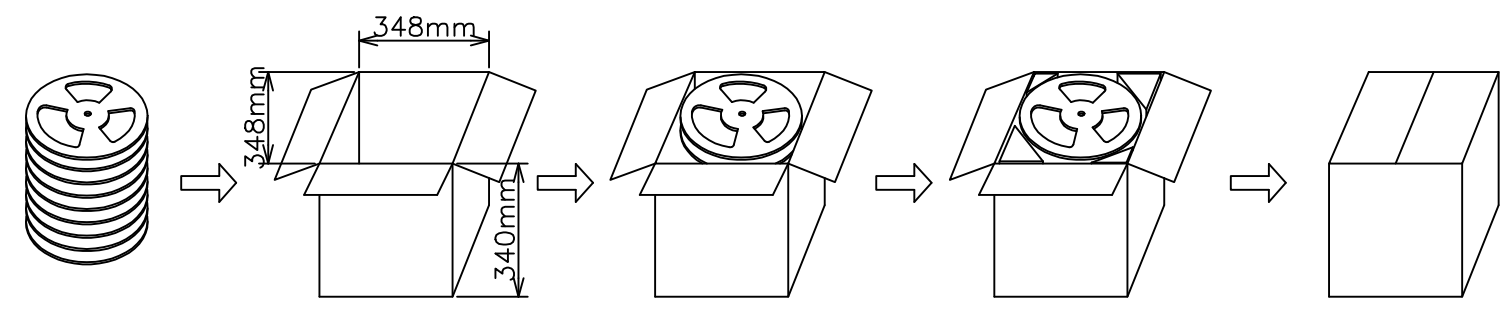
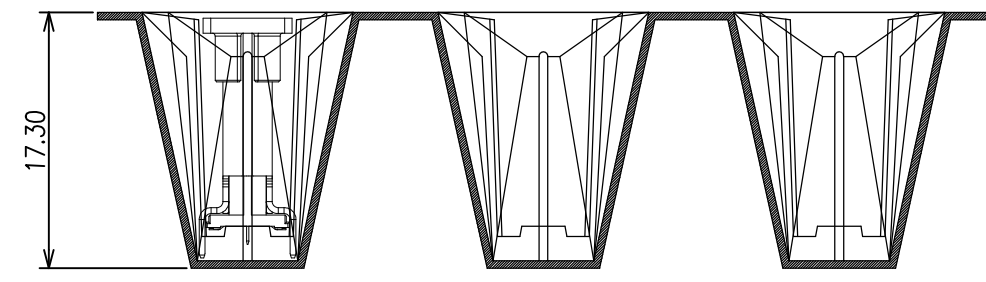
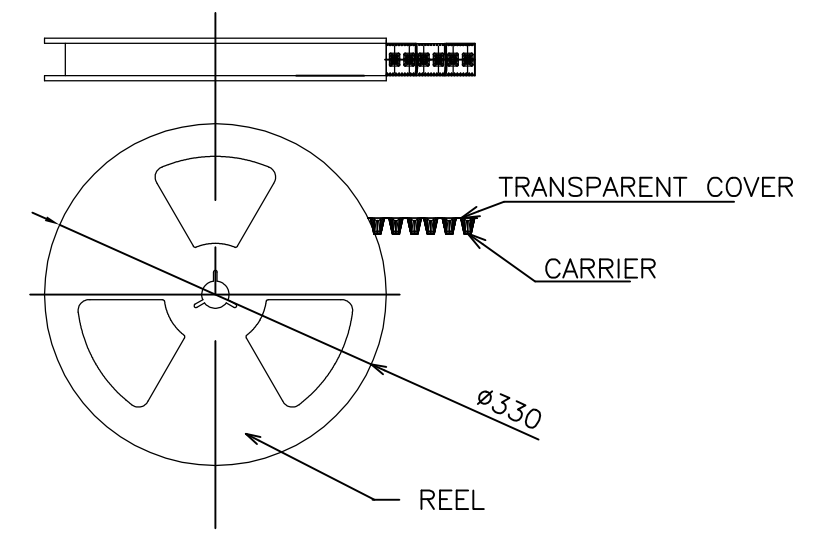
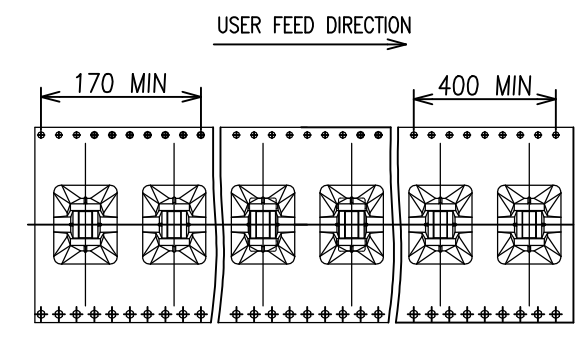
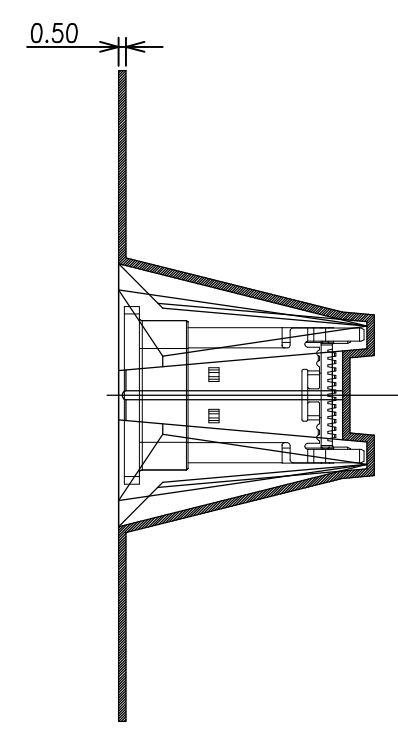
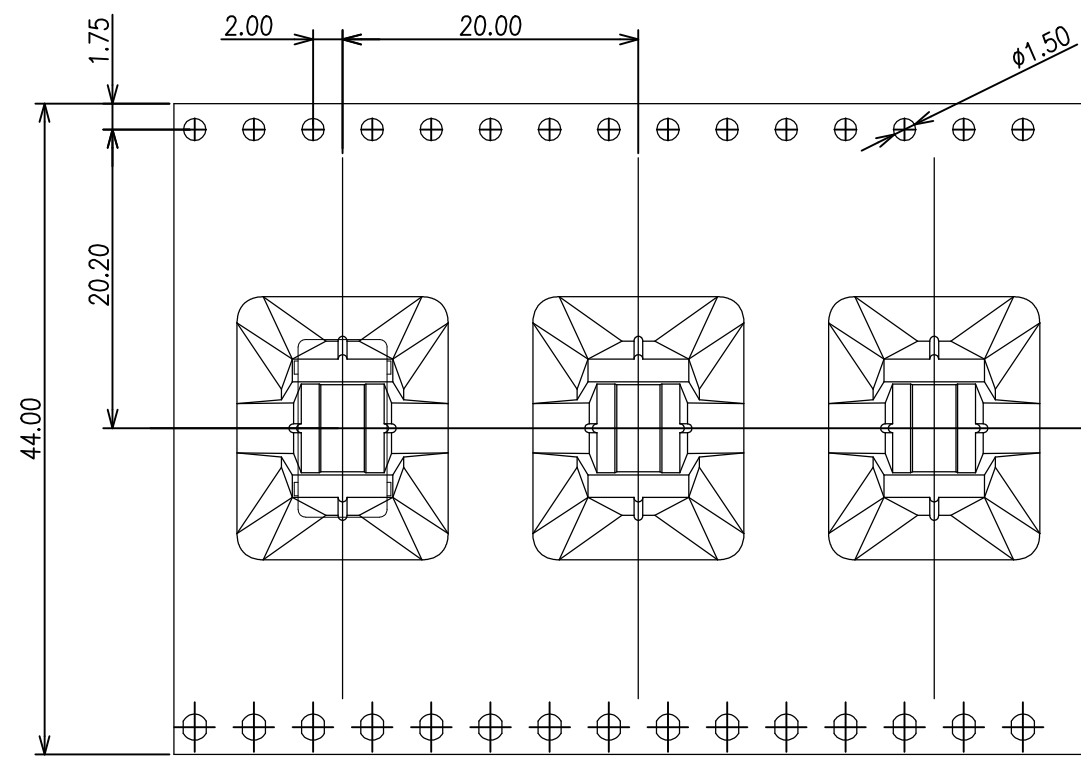
3

2

1

THIS DRAWING IS UNPUBLISHED. RELEASED FOR PUBLICATION
 © COPYRIGHT - By - ALL RIGHTS RESERVED.

LOC	DIST	REVISIONS			
P	LTR	DESCRIPTION	DATE	DWN	APVD
-	-	SEE SHEET 1	-	-	-



PACKAGING PROCESS

THIS DRAWING IS A CONTROLLED DOCUMENT.		DWN	-		
		CHK	-		
		APVD	-		
		PRODUCT SPEC	-		
		APPLICATION SPEC	-		
		WEIGHT	-		
		CUSTOMER DRAWING	-		
		SCALE	1:1		
		SHEET	3 of 3		
		REV	A		

DIMENSIONS: mm		TOLERANCES UNLESS OTHERWISE SPECIFIED:		NAME	
		0 PLC	± -	TE Connectivity USB TYPE C RECEPTABLE VERTICAL TYPE	
		1 PLC	± -		
		2 PLC	± 0.15		
		3 PLC	± -		
		4 PLC	± -		
MATERIAL		FINISH		SIZE	
SEE NOTE		SEE NOTE		A3	
				CAGE CODE	
				00779	
				DRAWING NO	
				C=2337857	
				RESTRICTED TO	
				-	