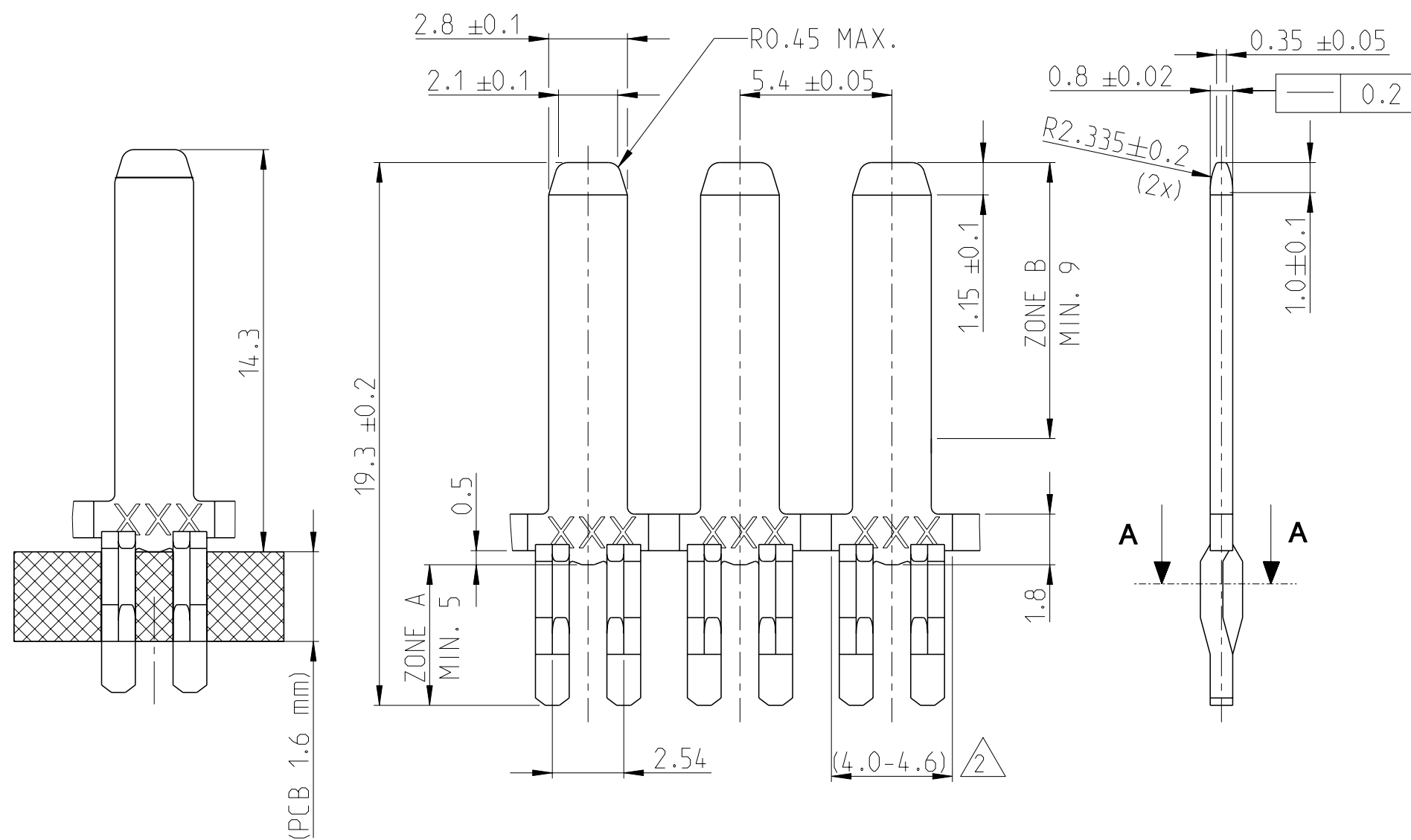


P	LTR	DESCRIPTION	DATE	DWN	APVD
	A	NEW DRAWING	24APR2018	FRAN	EDER



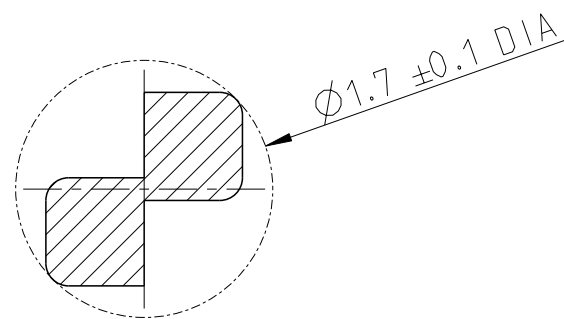
**P.C.B HOLE DIM. ACTION PIN**

DRILLED HOLE: 1.6±0.025mm  
 FIN. HOLE: 1.54<sup>+0</sup><sub>-0.15</sub> mm  
 AFTER REFLOW: 1.52<sup>+0</sup><sub>-0.15</sub> mm  
 Cu-thks: 0.025 to 0.075mm  
 Sn-thks: 0.004 to 0.010mm

NOTES  
Bemerkungen:

- 1 CuSn4 TEC-100-221 R520
- 2 CUT OFF WIDTH  
Abschneidbreite
- 3 REEL PACKED WITH PE BAG.  
WORKABILITY WITHIN SIX MONTHS BEGINNING  
WITH THE PRODUCTION DATE.  
Band gepackt mit PE  
Bearbeitbarkeit innerhalb sechs Monate nach dem Beginn  
des Produktionsdatum
- 4 ARTWORK LOGO
- 5 ZONE B: 2µm - 3µm OVER 1.3µm - 2.2µm Ni  
ZONE A: 0.8µm - 1.5µm Sn OVER 1.3µm - 2.2µm Ni

SECTION A-A  
SCALE 10:1



5	1	2336813-2	A
FINISH	MATERIAL	PARTNUMBER	REV

THIS DRAWING IS A CONTROLLED DOCUMENT.		DWN T. Frank 24APR2018		
DIMENSIONS: mm		CHK M. Eder 24APR2018		
TOLERANCES UNLESS OTHERWISE SPECIFIED:		APVD -	NAME 2.8 x 0.8 TAB WITH ACTION PIN	
0 PLC ±0.5	1 PLC ±0.2	PRODUCT SPEC 108-19059	-	
2 PLC ±0.1	3 PLC ±	APPLICATION SPEC -	SIZE A3	CAGE CODE 00779
4 PLC ±	ANGLES ±2°	WEIGHT -	DRAWING NO C=2336813	RESTRICTED TO -
MATERIAL -	FINISH -	CUSTOMER DRAWING	SCALE 5:1	SHEET 1 OF 1
				REV A