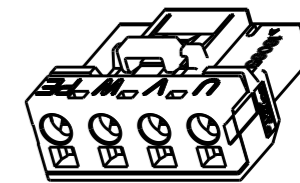
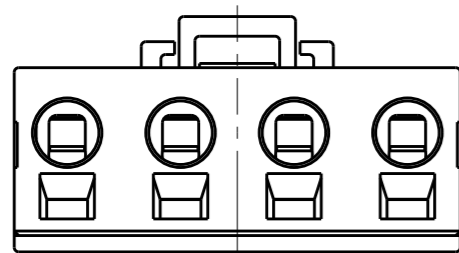
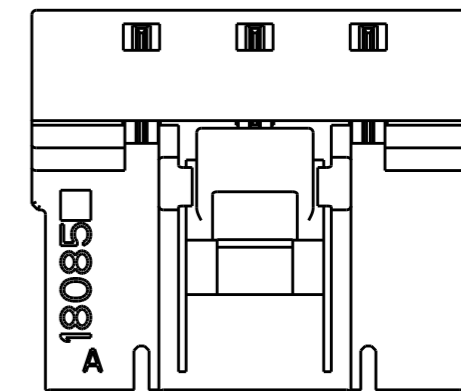
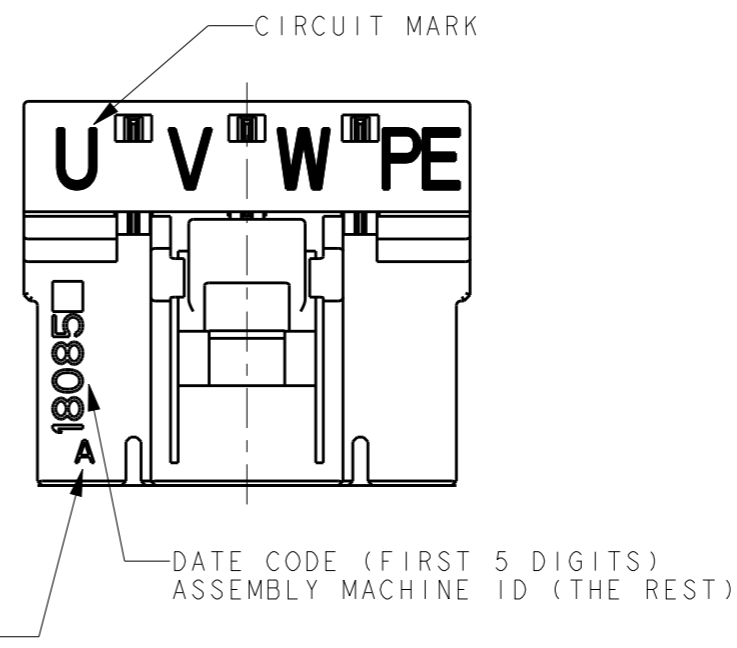
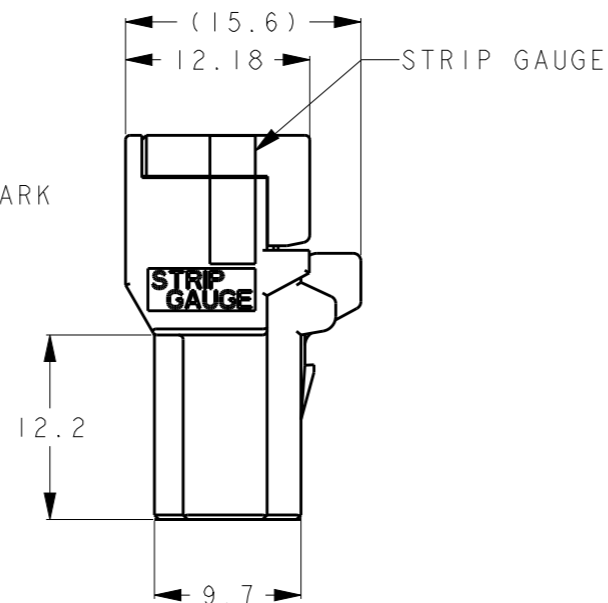
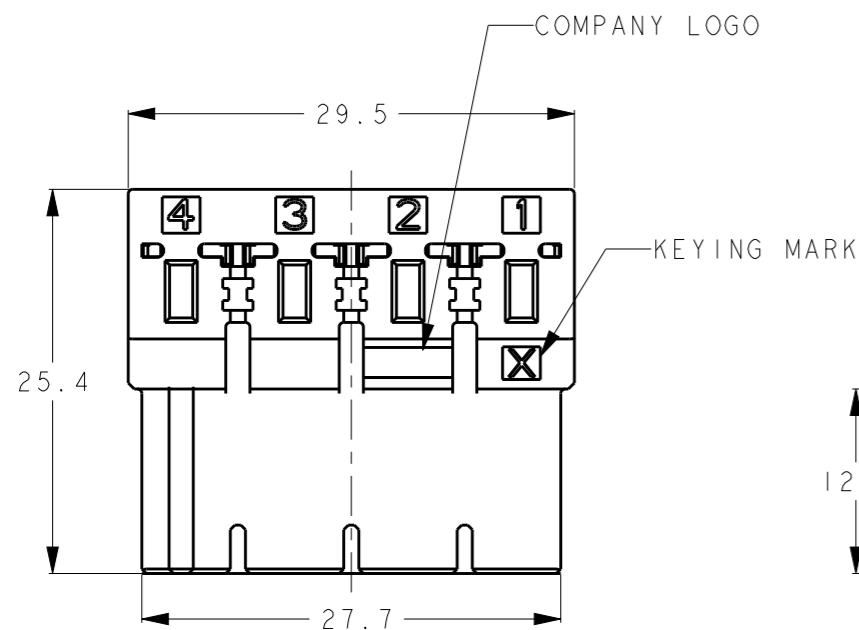


THIS DRAWING IS UNPUBLISHED. RELEASED FOR PUBLICATION 20
 © COPYRIGHT 20 BY - ALL RIGHTS RESERVED.

REVISIONS					
P	LTR	DESCRIPTION	DATE	DWN	APVD
	A	RELEASED	25MAY2018	K.T	E.I
	B	REVISED	12JUN2018	K.T	E.I
	B1	REVISED	31JULY2018	K.T	E.I
	B2	REVISED	9JAN2019	H.O	E.I



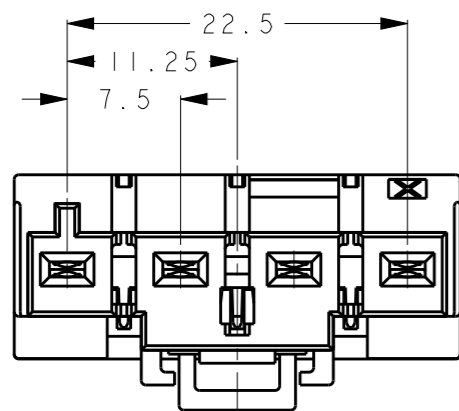
SCALE 1:1
1-2331743-4 (KEY: X)



1-2331743-1
(KEY: X, W/O CIRCUIT MARK)

- 1 MATERIAL
HOUSING: THERMOPLASTIC POLYESTER
CONTACT: COPPER ALLOY
SPRING: STAINLESS STEEL
- 2 PLATING
CONTACT POINT: UNDER Ni PLATING.
OVER Au PLATING.
CABLE CLAMPING POINT: UNDER Ni PLATING.
OVER Tin PLATING

W/O	X	4	1-2331743-1
W/O	Y	4	2-2331743-1
WITH	X	4	1-2331743-4
CIRCUIT MARK	KEYING	POSN	PART NUMBER

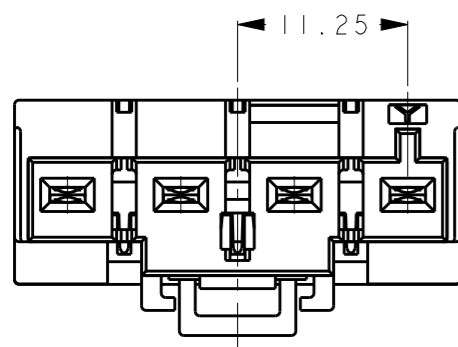
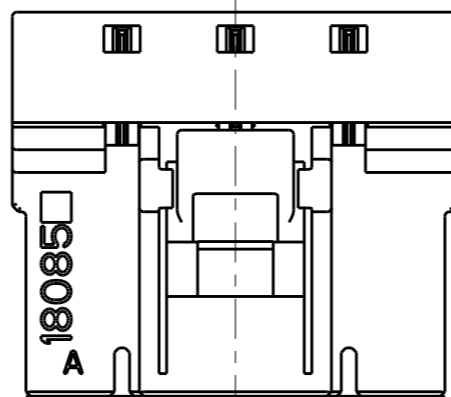
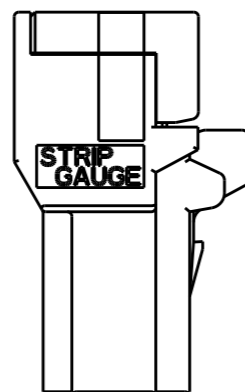
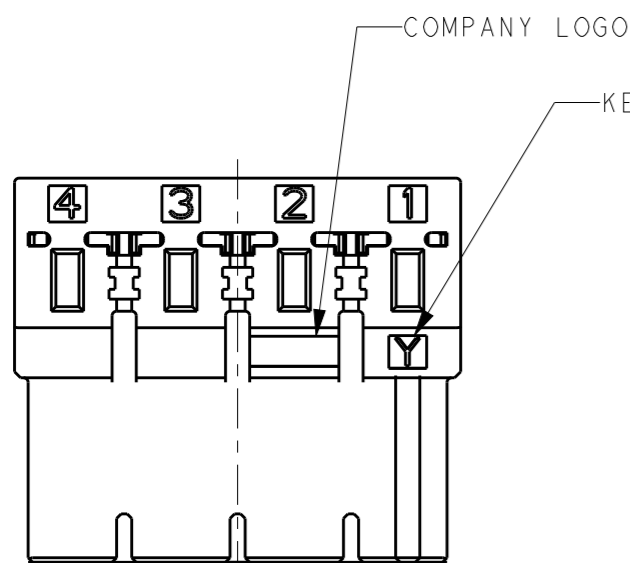
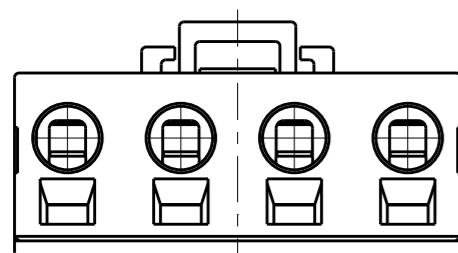


1-2331743-4 (KEY: X)

THIS DRAWING IS A CONTROLLED DOCUMENT.		DWN K. TERAJIMA 25MAY2018		
DIMENSIONS: mm		CHK T. SHIMOYASU 25MAY2018		
TOLERANCES UNLESS OTHERWISE SPECIFIED: ±0.3		APVD E. IKEMATSU 25MAY2018	NAME RECEPTACLE ASSEMBLY, 4POS DYNAMIC 3950	
0 PLC ± 1 PLC ± 2 PLC ± 3 PLC ± 4 PLC ± ANGLES ±3°		PRODUCT SPEC 108-78997	RESTRICTED TO	
MATERIAL SEE NOTE		APPLICATION SPEC 411-78272	SIZE A3	CAGE CODE 00779
FINISH -		WEIGHT -	DRAWING NO C-2331743	REV B2
-		CUSTOMER DRAWING	SCALE 2:1	SHEET 1 OF 2

REVISIONS

P	LTR	DESCRIPTION	DATE	DWN	APVD
-	-	SEE SHEET 1	-	-	-



2-2331743-1
(KEY:Y, W/O CIRCUIT MARK)

THIS DRAWING IS A CONTROLLED DOCUMENT.

DIMENSIONS: mm	TOLERANCES UNLESS OTHERWISE SPECIFIED: ± 0.3
	Ø PLC ±
	1 PLC ±
	2 PLC ±
	3 PLC ±
	4 PLC ±
	ANGLES ± 3°
MATERIAL SEE NOTE	FINISH -

DWN K. TERAJIMA	25MAY2018
CHK T. SHIMOYASU	25MAY2018
APVD E. IKEMATSU	25MAY2018
PRODUCT SPEC	108-78997
APPLICATION SPEC	411-78272
WEIGHT	-
CUSTOMER DRAWING	

		NAME RECEPTACLE ASSEMBLY, 4POS DYNAMIC 3950	
		SIZE A3	CAGE CODE 00779
DRAWING NO C-2331743		RESTRICTED TO -	
SCALE 2:1		SHEET 2 OF 2	
		REV B2	