

4

3

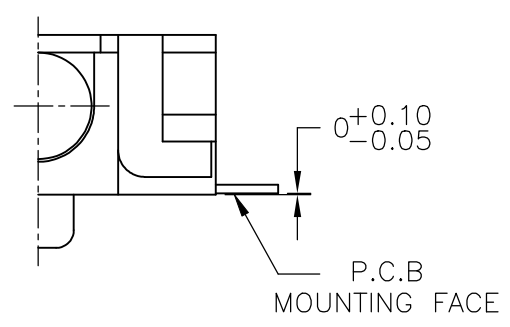
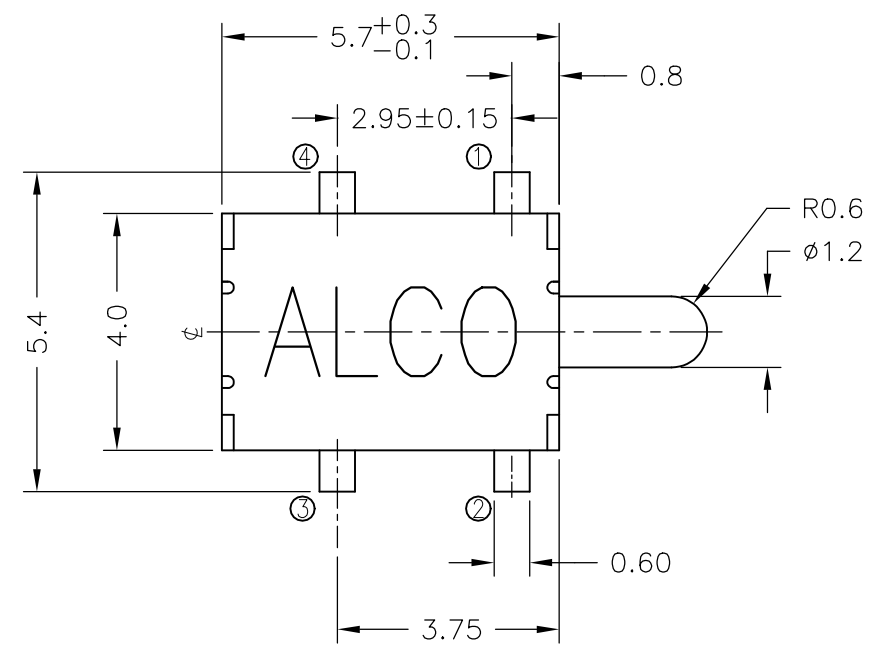
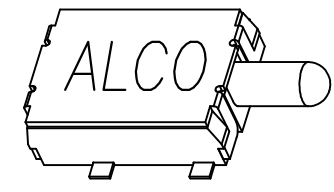
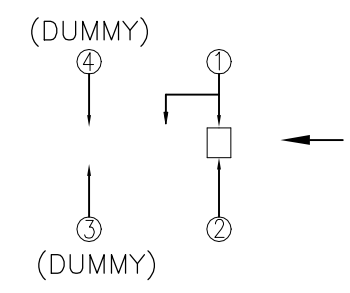
2

1

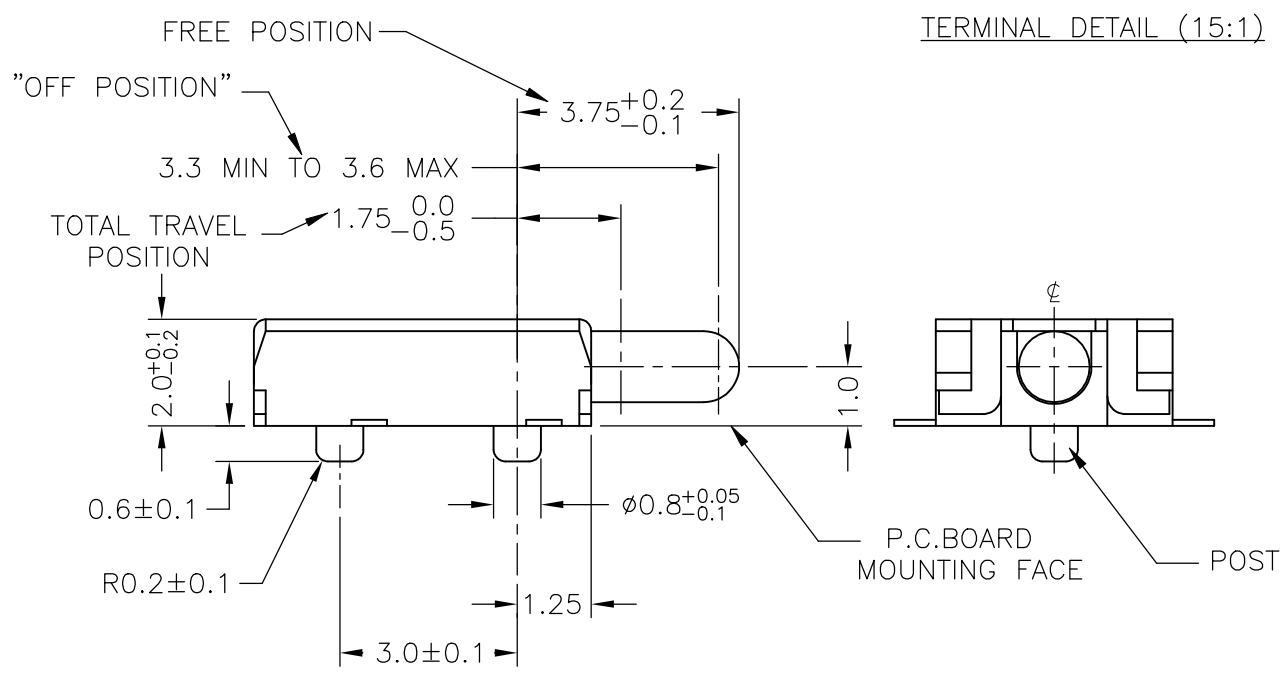
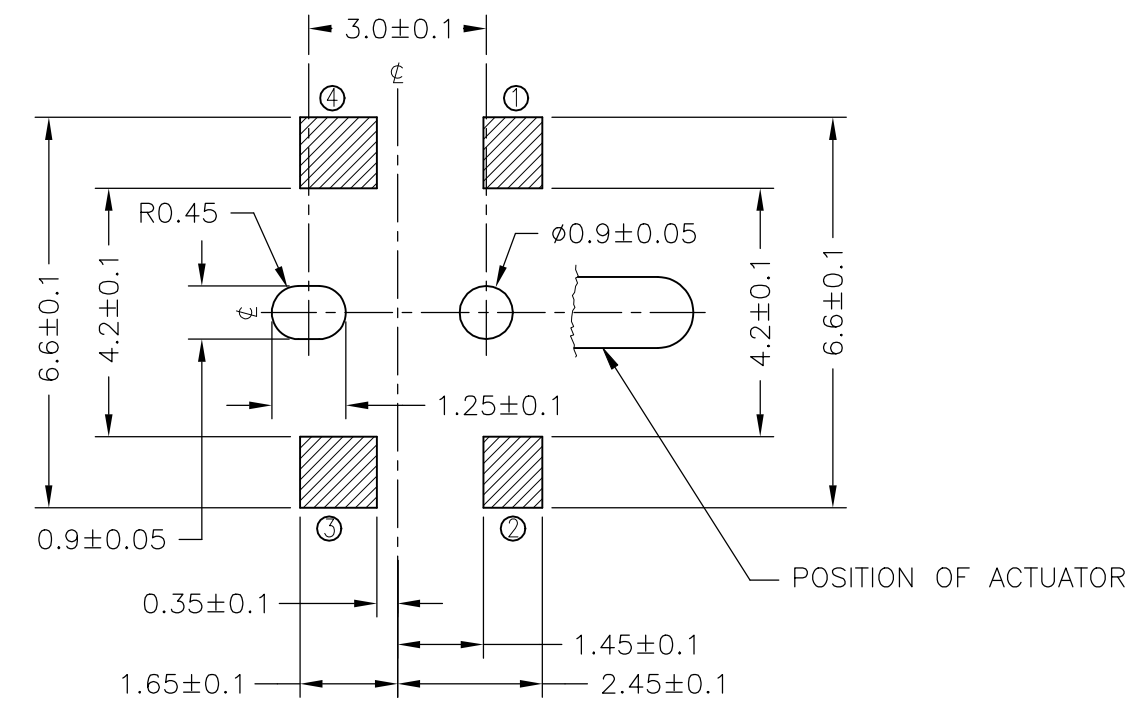
THIS DRAWING IS UNPUBLISHED. RELEASED FOR PUBLICATION
 © COPYRIGHT - TE Connectivity Ltd. ALL RIGHTS RESERVED.

REVISIONS				
P	LTR	DESCRIPTION	DATE	APVD
A		ECR-18-012767	16AUG2018	RSM AS

SCHEMATIC (1P1T)



P.C.B. LAYOUT



JJGHOUG200NCHPMRTR	2331381-1
SMART PART NUMBER	PART NUMBER

THIS DRAWING IS A CONTROLLED DOCUMENT.		DWN	30APR2018	TE Connectivity Ltd.	
		CHK	30APR2018		
		ALEXANDER SHARPE		NAME DETECTOR SWITCH, JG SERIES, 5.7X4.0mm, HORIZONTAL, SMT, POSTS	
		ALEXANDER SHARPE			
		PRODUCT SPEC		SIZE A3 00779 C-2331381	
		APPLICATION SPEC			
		WEIGHT		RESTRICTED TO -	
		CUSTOMER DRAWING			
		SCALE		SHEET	
		8:1		1 of 4	
		REV		A	

DIMENSIONS:	TOLERANCES UNLESS OTHERWISE SPECIFIED:
mm	
	0 PLC ± -
	1 PLC ± 0.3
	2 PLC ± -
	3 PLC ± -
	4 PLC ± -
	ANGLES ± -
MATERIAL	FINISH
-	-

4

3

2

1

THIS DRAWING IS UNPUBLISHED.

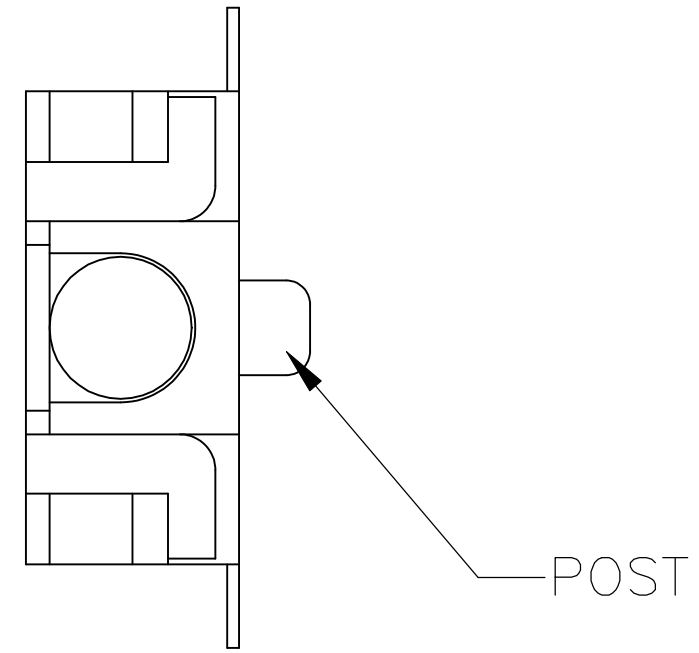
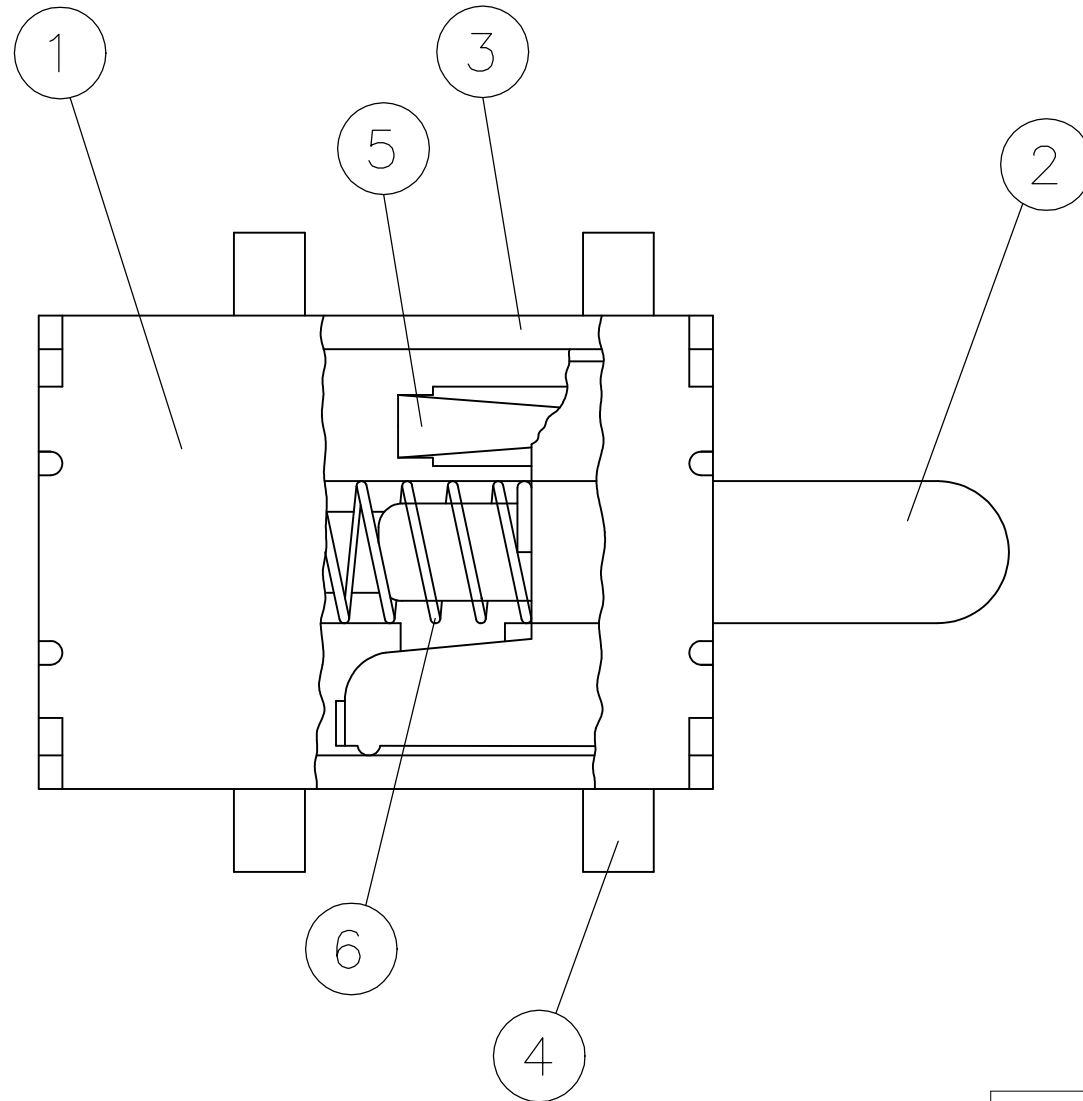
RELEASED FOR PUBLICATION

REVISIONS

© COPYRIGHT - TE Connectivity Ltd.

ALL RIGHTS RESERVED.

P	LTR	DESCRIPTION	DATE	DWN	APVD
-	-	SEE SHEET 1	-	-	-



-	STAINLESS STEEL	COIL SPRING	6
SILVER PLATE	COPPER ALLOY	CONTACT PLATE	5
SILVER PLATE OVER NICKEL PLATE	COPPER ALLOY	TERMINAL	4
WHITE	THEMOPLASTIC	FRAME	3
BLACK	THEMOPLASTIC	ACTUATOR	2
-	STAINLESS STEEL	COVER	1
COLOR OR FINISH	MATERIAL	PART NAME	NO.

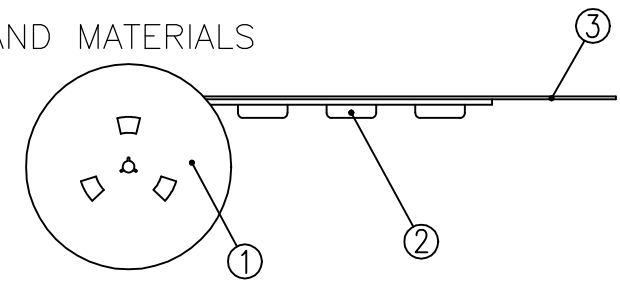
THIS DRAWING IS A CONTROLLED DOCUMENT.		DWN RAVI.S 30APR2018	TE Connectivity Ltd.				
DIMENSIONS: mm		CHK ALEXANDER SHARPE 30APR2018					
		APVD ALEXANDER SHARPE 30APR2018	NAME DETECTOR SWITCH, JG SERIES, 5.7X4.0mm, HORIZONTAL, SMT, POSTS				
TOLERANCES UNLESS OTHERWISE SPECIFIED: 0 PLC ± - 1 PLC ± 0.3 2 PLC ± - 3 PLC ± - 4 PLC ± - ANGLES ± -		PRODUCT SPEC -	SIZE A3	CAGE CODE 00779	DRAWING NO C-2331381	RESTRICTED TO -	
MATERIAL -		FINISH -	APPLICATION SPEC -	WEIGHT	SCALE 16:1	SHEET 2 of 4	REV A
CUSTOMER DRAWING							

THIS DRAWING IS UNPUBLISHED. RELEASED FOR PUBLICATION
 © COPYRIGHT - TE Connectivity Ltd. ALL RIGHTS RESERVED.

REVISIONS					
P	LTR	DESCRIPTION	DATE	DWN	APVD
-	-	SEE SHEET 1	-	-	-

PACKAGING:

1. STRUCTURE AND MATERIALS

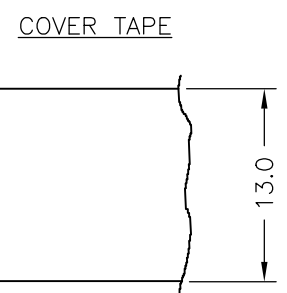
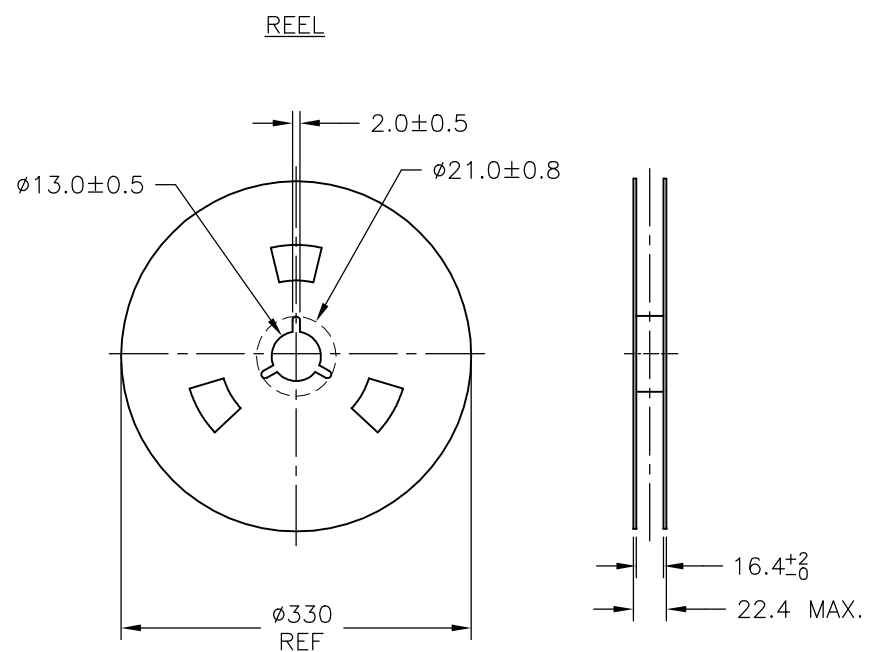
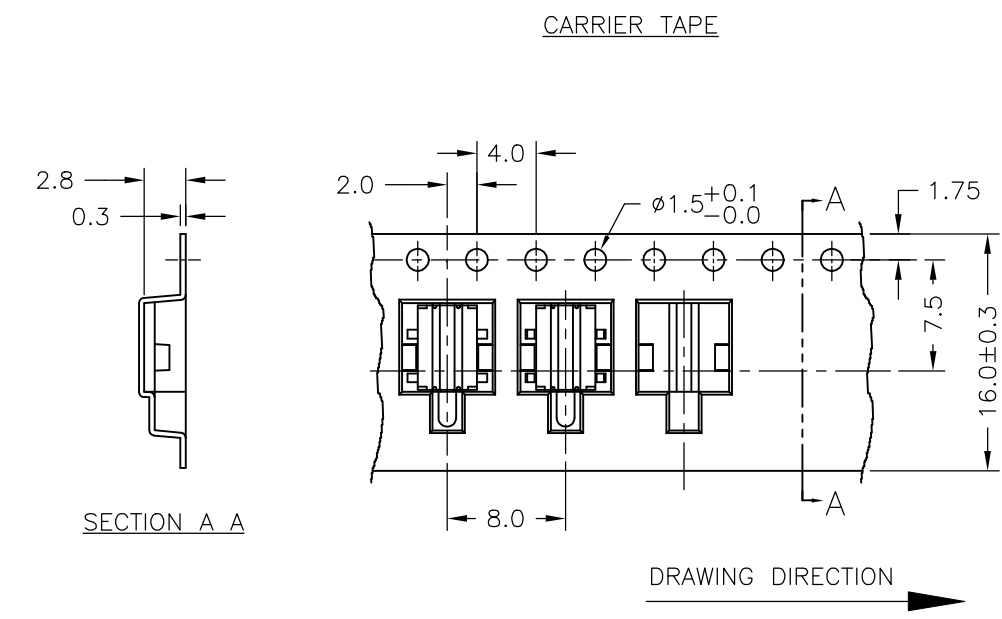


2. PACKAGING QUANTITY : 3,000 SWITCHES/REEL

3. MORE THAN 10 EMPTY POCKETS AT BOTH ENDS OF THE CARRIER TAPE FOR EACH REEL.

4. DIMENSIONS :

TAPE AND REEL PER EIA-481



POLYESTER	COVER TAPE	③
POLYSTYRENE	CARRIER TAPE	②
POLYSTYRENE	REEL	①
MATERIALS	PARTS NAME	NO.

THIS DRAWING IS A CONTROLLED DOCUMENT.		DWN	30APR2018		TE Connectivity Ltd.
		CHK	30APR2018		
		APVD	30APR2018		
		PRODUCT SPEC	ALEXANDER SHARPE		
DIMENSIONS: mm		TOLERANCES UNLESS OTHERWISE SPECIFIED: 0 PLC ± - 1 PLC ± 0.3 2 PLC ± - 3 PLC ± - 4 PLC ± - ANGLES ± -		NAME	
		MATERIAL		DETECTOR SWITCH, JG SERIES, 5.7X4.0mm, HORIZONTAL, SMT, POSTS	
MATERIAL		FINISH		SIZE CAGE CODE DRAWING NO RESTRICTED TO A3 00779 C-2331381 -	
		CUSTOMER DRAWING		SCALE 2:1 SHEET 3 of 4 REV A	

THIS DRAWING IS UNPUBLISHED.

RELEASED FOR PUBLICATION

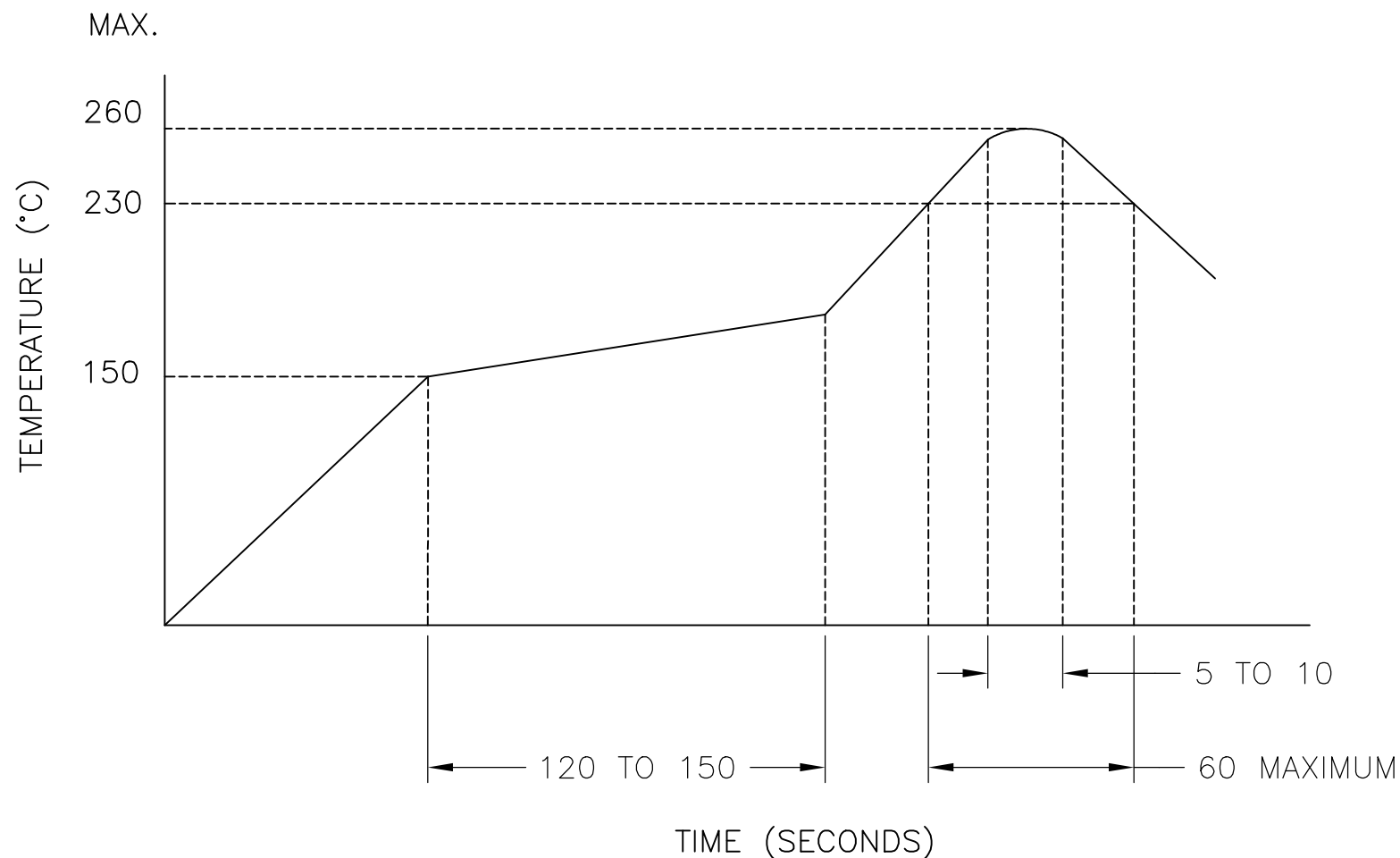
© COPYRIGHT - TE Connectivity Ltd.

ALL RIGHTS RESERVED.

REVISIONS

P	LTR	DESCRIPTION	DATE	DWN	APVD
-	-	SEE SHEET 1	-	-	-

REFLOW SOLDERING:



THE TIME-TEMPERATURE CHART IS BASED ON THE TEMPERATURE OF THE MOUNTING SURFACE OF THE P.C.B. FOR THE SWITCH.

1. RATING: DC 12V, 100mA
2. CONTACT RESISTANCE: 1Ω MAXIMUM (INITIAL)
3. INSULATION RESISTANCE: 100 MΩ MINIMUM
4. WITHSTANDING VOLTAGE: AC 100V, 50 TO 60 Hz, 1 MINUTE
5. OPERATING FORCE: 100+/-50gf
6. LIFE CYCLE: 100,000 CYCLES WITHOUT LOAD
7. OPERATING TEMPERATURE: -40 TO 85°C
8. COMPLIANCE: ALL MATERIALS AND FINISHES SHALL COMPLY WITH EU DIRECTIVE 2002/95/EC OF 27 JAN 2003 (RoHS).

THIS DRAWING IS A CONTROLLED DOCUMENT.		DWN	30APR2018		TE Connectivity Ltd.		
DIMENSIONS: mm		CHK	30APR2018				
		ALEXANDER SHARPE		NAME			
TOLERANCES UNLESS OTHERWISE SPECIFIED:		ALEXANDER SHARPE					
MATERIAL		APVD	30APR2018		DETECTOR SWITCH, JYG SERIES, 5.7X4.0mm, HORIZONTAL, SMT, POSTS		
FINISH		PRODUCT SPEC		RESTRICTED TO			
		APPLICATION SPEC		SIZE	CAGE CODE	DRAWING NO	
		WEIGHT		A3	00779	C-2331381	
		CUSTOMER DRAWING		SCALE	SHEET	REV	
				2:1	4 of 4	A	