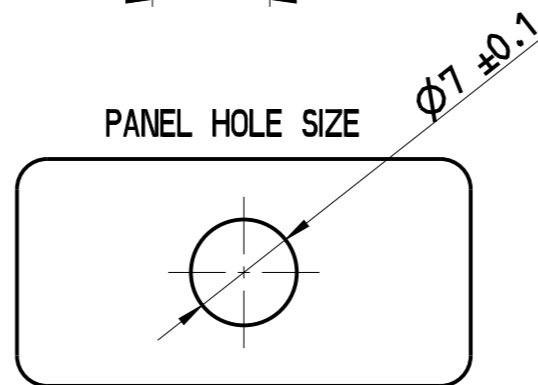
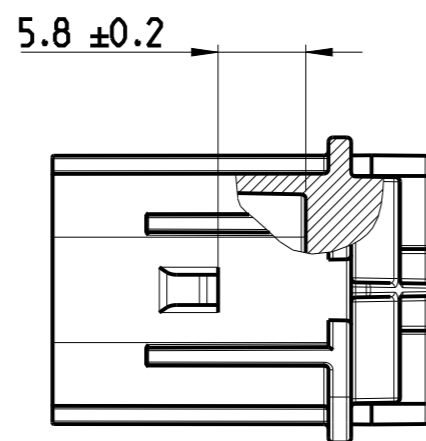
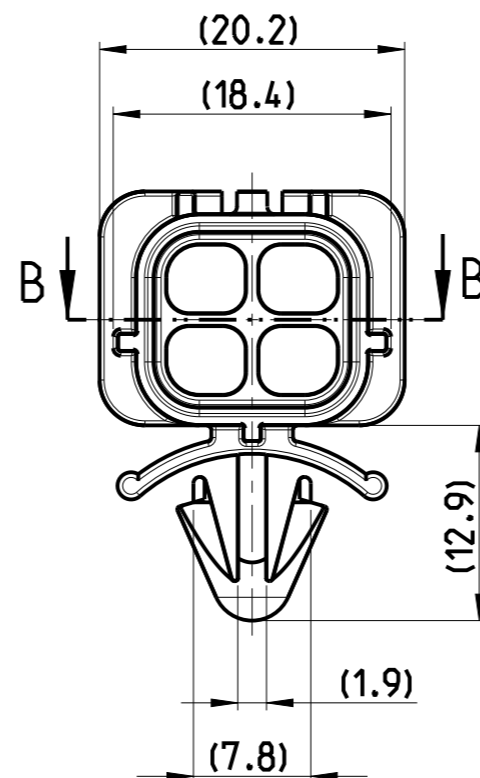
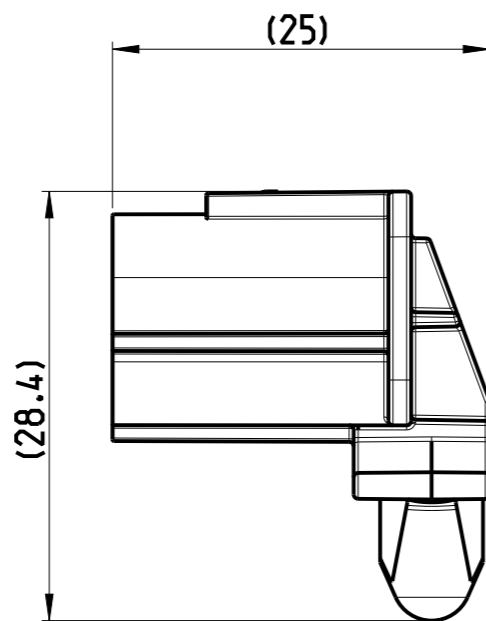
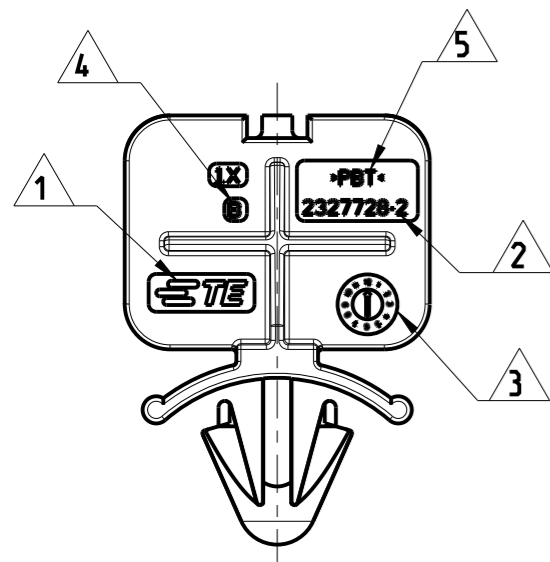


© 2021 TE Connectivity. All Rights Reserved.

### 9 MOUNTING COVER OPTIONS 2327728-2 AS SHOWN SCALE 2:1



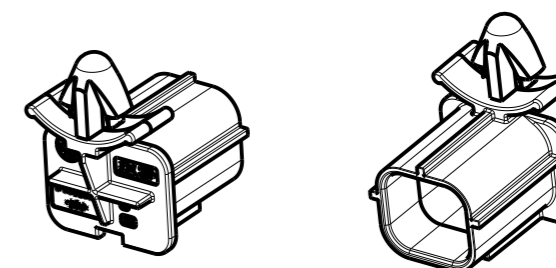
PANEL THICKNESS: 0.8 TO 1.6mm

SECTION B-B

REVISIONS				
P	LTR	DESCRIPTION	DATE	APVD
A		NEW DRAWING	19DEC2018	PV GCR
B		REVISED AS PER ECR-21-002224	23FEB2021	PG GCR

#### NOTES:

- 1 TE LOGO
- 2 TE ORDER-NO.
- 3 PRODUCTION DATE
- 4 LETTER-INSERT FOR THE REVISION STATUS OF THE MOLD  
ACTUAL STATUS: SEE TABLE
- 5 MATERIAL MARKING ACCORDING TO VDA 260
- 6 BULK PACKAGING IN CORRUGATED BOX
- 7 MALFUNCTION CAUSED BY LAQUER IS NOT COVERED  
BY TE WARRANTY
- 8 WARPAGE UP TO -0.5mm FROM NOM.  
DIMENSION PERMITTED EXCEPT SEALING AREA
- 9 SUITABLE RECEPTACLE HOUSING-2327727



QTY REQD PER ASSY	1	B	COVER 2	2.4	3.3	PBT	RED	1
	0--2	REV	DESCRIPTION	VOLUME [cm³]	WEIGHT [g]	MATERIAL	COLOUR	ITEM NO

THIS DRAWING IS A CONTROLLED DOCUMENT.		DWN PAVAN G 22FEB2021	<b>STE</b> TE Connectivity	
DIMENSIONS: mm		CHK SHIVAKUMAR H 22FEB2021		
TOLERANCES UNLESS OTHERWISE SPECIFIED:		APVD GURUMURTHY CR 23FEB2021	NAME COVER . 6 POS. OBDII SEALED CONNECTOR	
0 PLC ±		PRODUCT SPEC -	SIZE A3	
1 PLC ±		APPLICATION SPEC -	CAGE CODE 00779	
2 PLC ±		WEIGHT SEE TABLE	DRAWING NO C-2327728	
3 PLC ±		CUSTOMER DRAWING	RESTRICTED TO	
4 PLC ±			SCALE 2:1 SHEET 1 OF 1 REV B	
ANGLES ±				
FINISH SEE TABLE				
MATERIAL SEE TABLE				