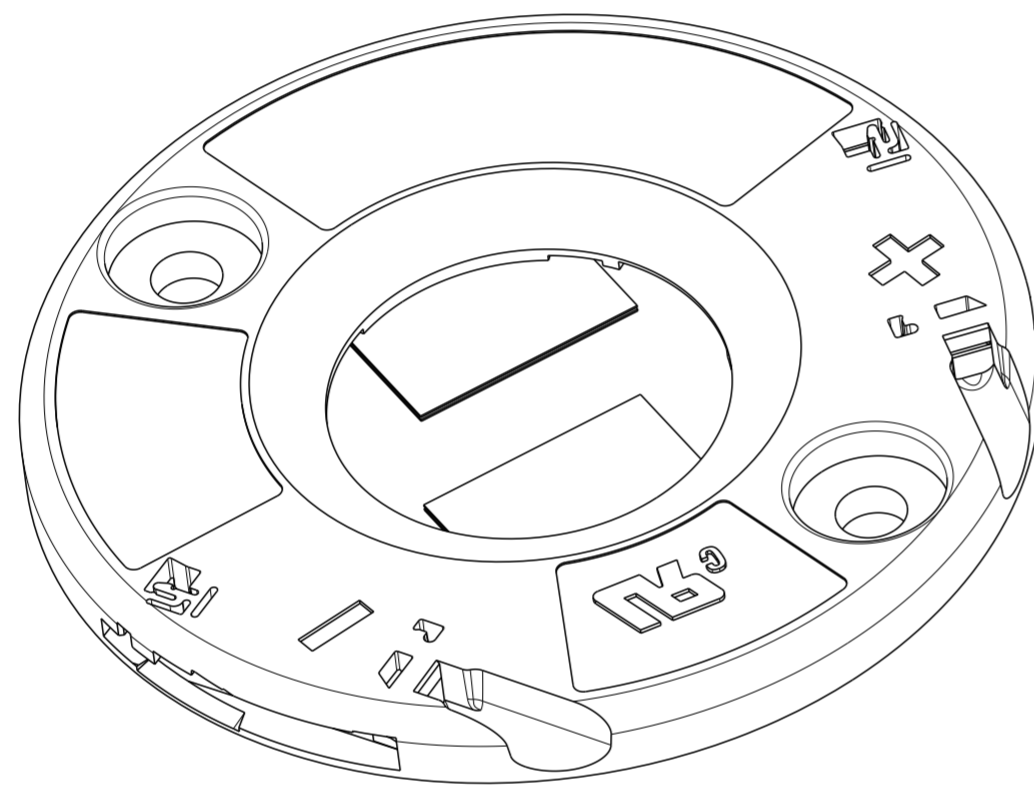


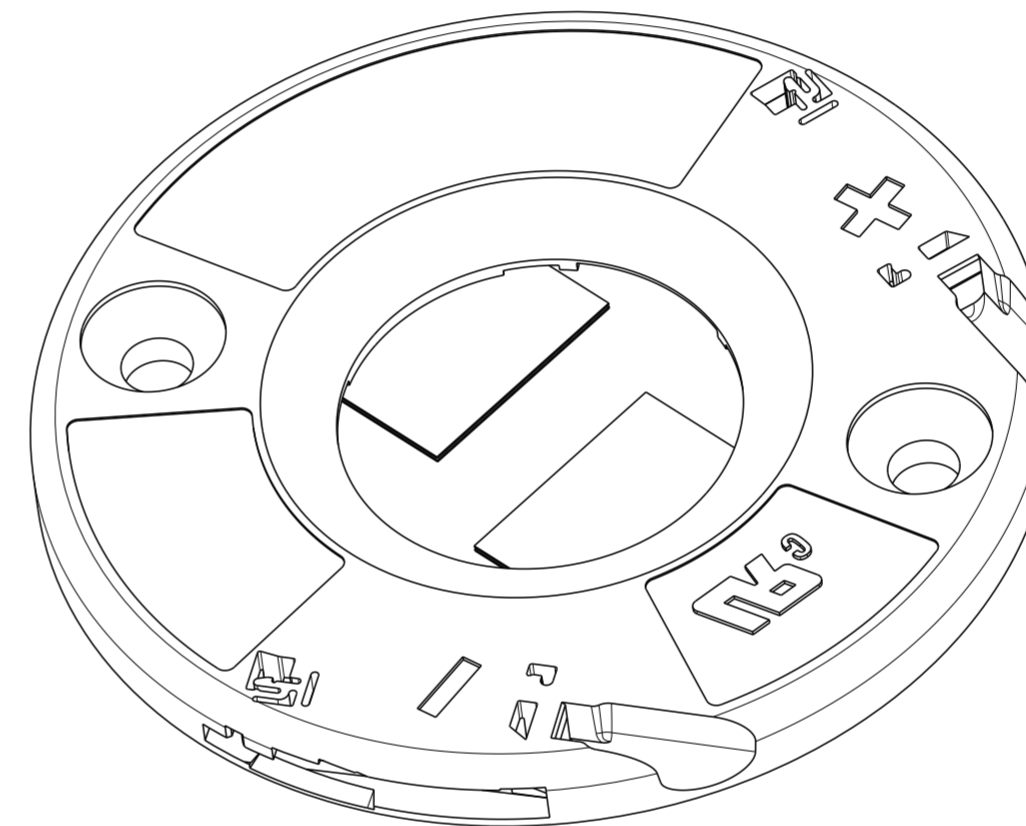
THIS DRAWING IS UNPUBLISHED. RELEASED FOR PUBLICATION 20
 © COPYRIGHT 20 BY - ALL RIGHTS RESERVED.

REVISIONS					
P	LTR	DESCRIPTION	DATE	DWN	APVD
B1		ECR-19-013004	26AUG2019	SR	JL
B2		ECR-20-000233	13JAN2020	SB	JL
B3		ECR-20-000836	23JAN2020	SB	JL
B4		ECR-20-002949	02MAR2020	SR	JL

- 1 MATERIALS:
 HOLDER: PBT ,COLOR: NATURAL;
 CONTACTS: COPPER ALLOY, Au/Ni PLATING (LED INTERFACE)
2. FOR SOLID, FUSED AND STRANDED CONDUCTOR WIRE TYPES AWG 18 AND 20
3. WIRE STRIP LENGTH: 11-12mm
4. MAX. WIRE INSULATION OUTER DIA: $\varnothing 2,3\text{mm}$
5. RECOMMENDED SCREW TORQUE: SEE APPLICATION SPECIFICATION 114-133107.
6. SCREWS TO BE USED: M3, #4-40
7. LED MATING ON 2 CORNERS WITH ADHESIVE TAPE 3M 9472LE 300LSE.
- 8 LAYOUTS ON SHEET 3
9. FOR COB-TO-HOLDER CROSS REFERENCE, REFER TO APPLICATION SPECIFICATION 114-32208



PAN HEAD
 SCALE 3:1



COUNTERSINK
 SCALE 3:1

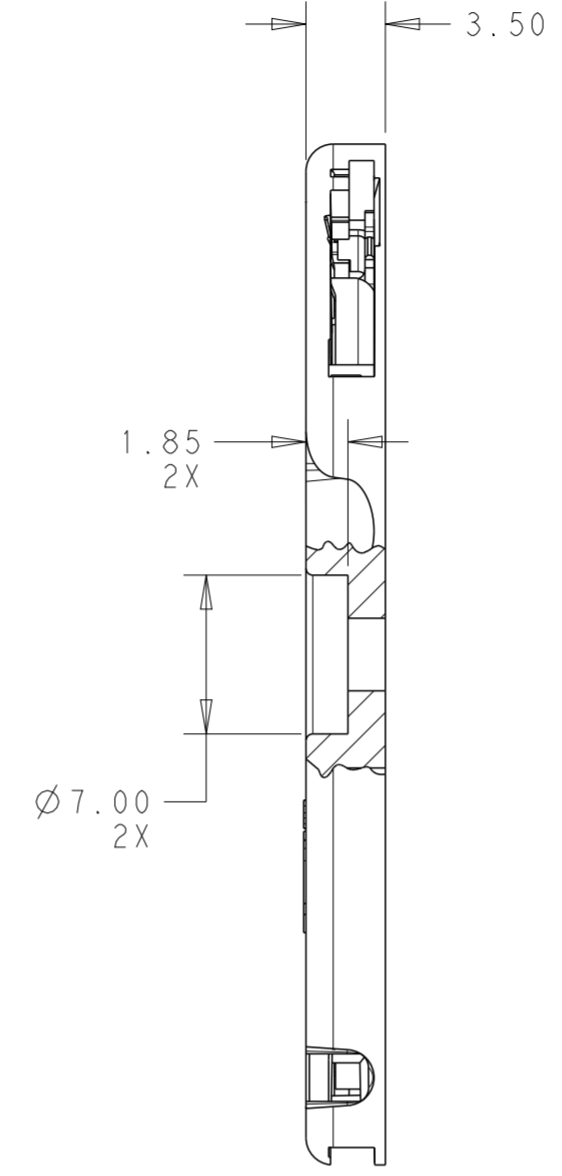
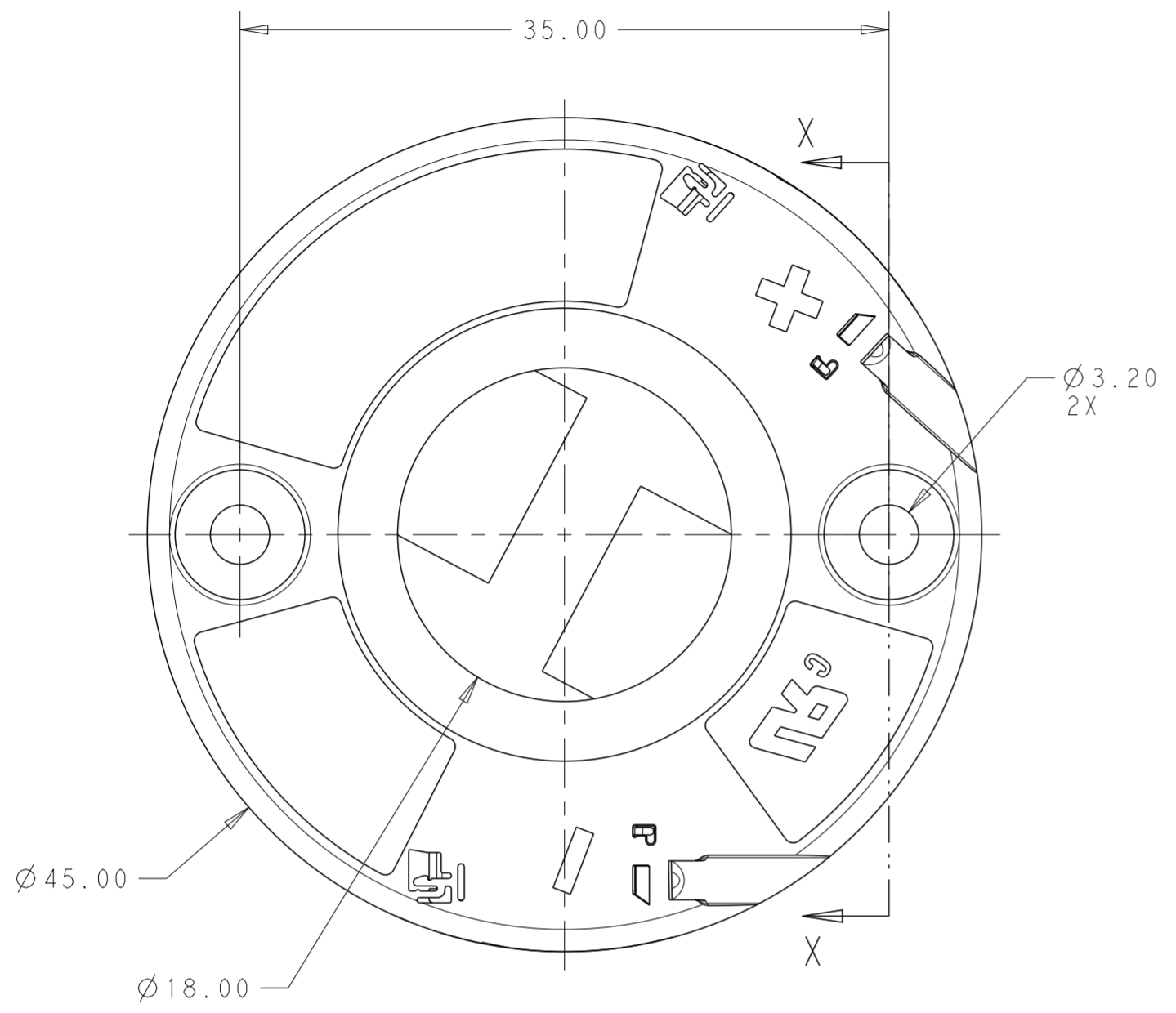
A	PAN HEAD	4-2325811-2
C	COUNTERSINK	3-2325811-1
C	PAN HEAD	2-2325811-1
B	COUNTERSINK	1-2325811-3
B	PAN HEAD	2325811-3
A	COUNTERSINK	1-2325811-2
A	PAN HEAD	2325811-2
LED LAYOUT 8		DESCRIPTION PART NO.

THIS DRAWING IS A CONTROLLED DOCUMENT.		DWN	20DEC2017	
DIMENSIONS:		CHK	20DEC2017	
mm		APVD	-	
TOLERANCES UNLESS OTHERWISE SPECIFIED:		PRODUCT SPEC	108-133062	
0 PLC	±	APPLICATION SPEC	114-133107	
1 PLC	±0.2	WEIGHT	-	
2 PLC	±0.13	CUSTOMER DRAWING	SCALE 3:1 SHEET 1 OF 4 REV B4	
3 PLC	±	NAME LED HOLDER, 20x24 LUMAWISE Z45 LED		
4 PLC	±	SIZE CAGE CODE DRAWING NO RESTRICTED TO		
ANGLES	±2°	A200779 C-2325811		
FINISH	-	-		
MATERIAL	-	-		



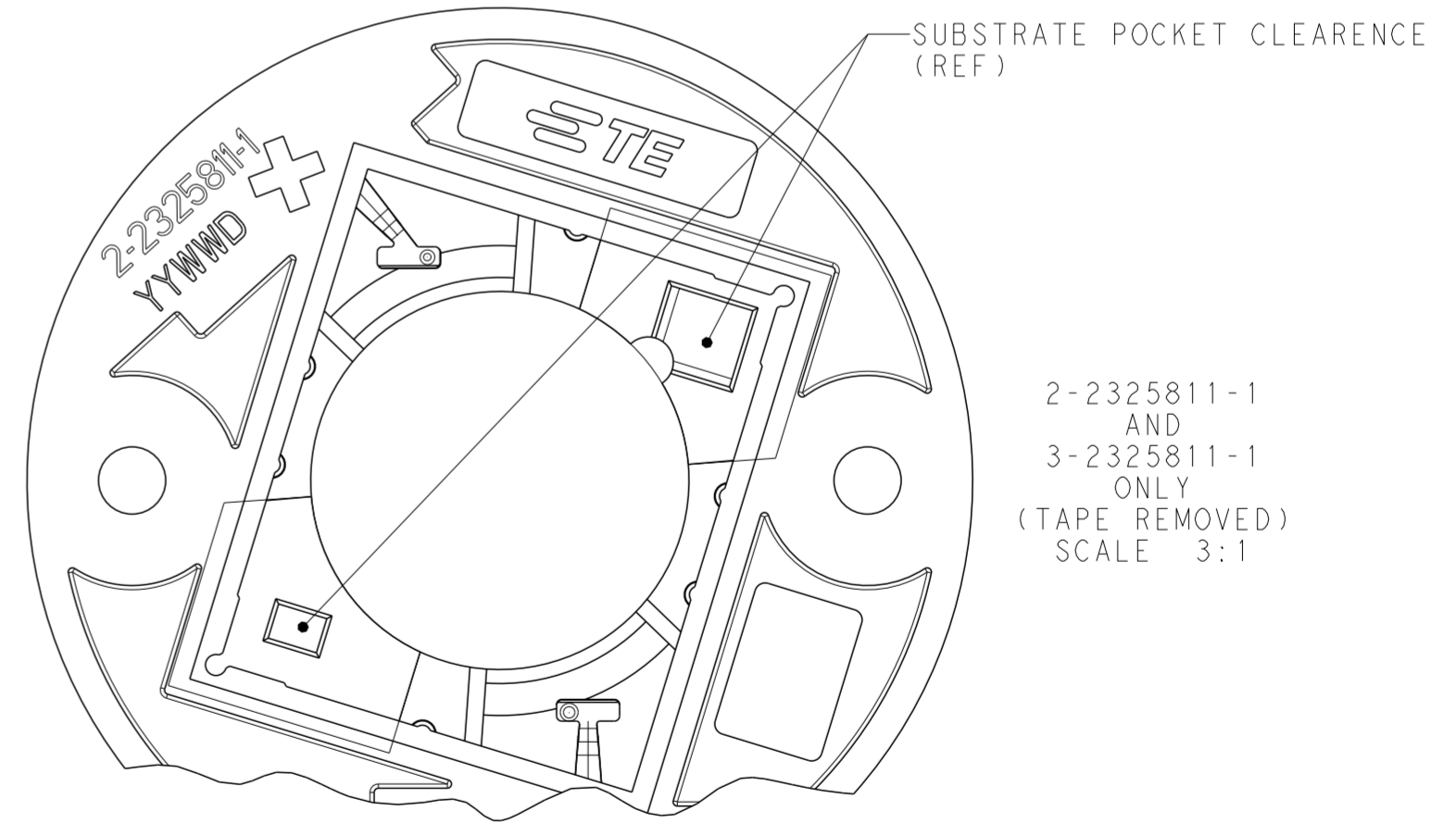
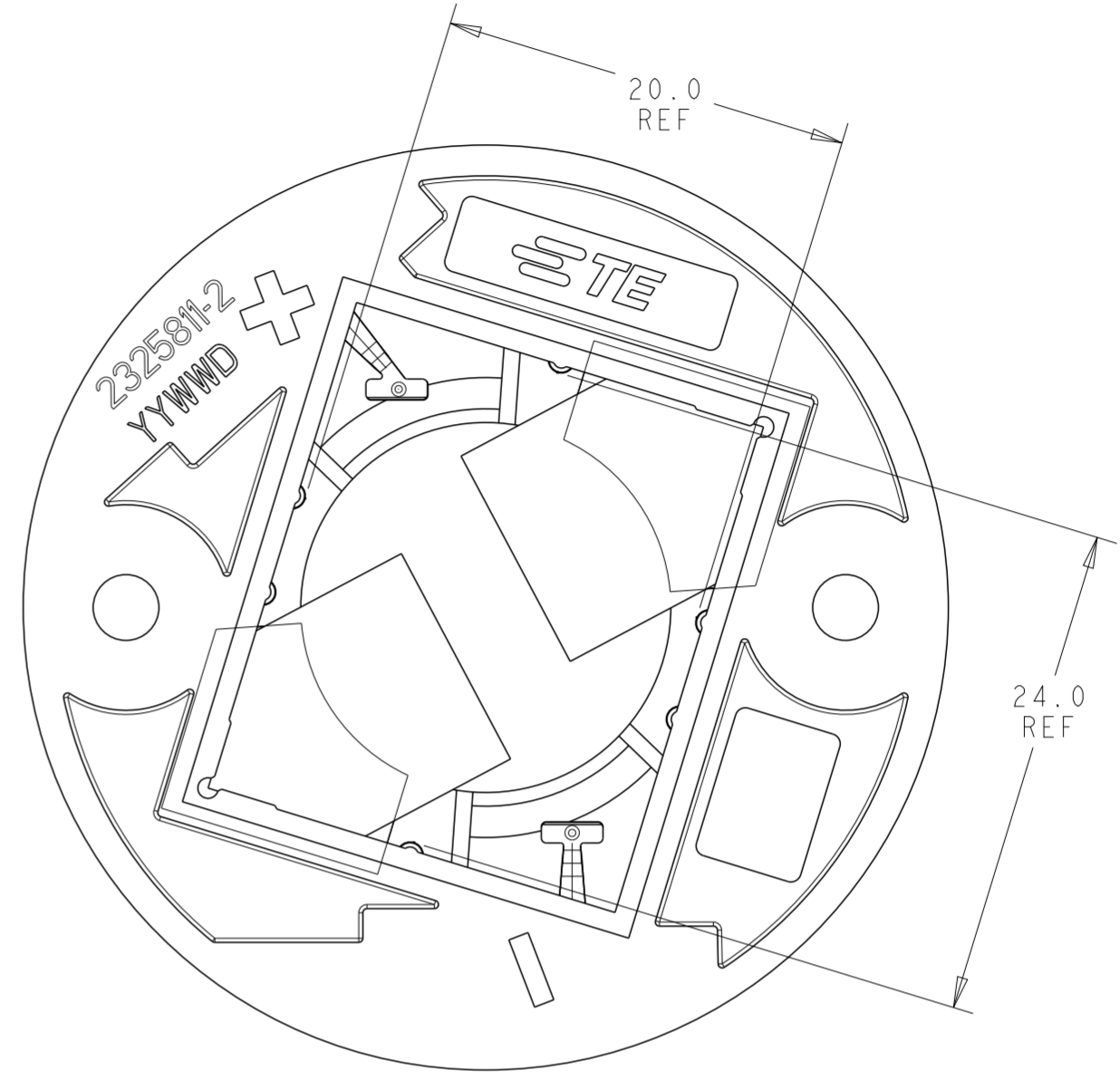
THIS DRAWING IS UNPUBLISHED. RELEASED FOR PUBLICATION 20
 © COPYRIGHT 20 BY - ALL RIGHTS RESERVED.

REVISIONS				
P	LTR	DESCRIPTION	DATE	APVD
-	-	SEE SHEET 1	-	-

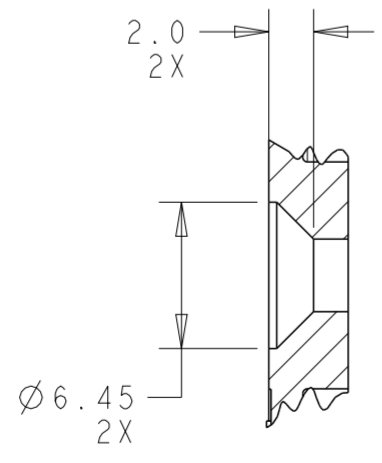


SECTION X - X

2325811-2 SHOWN
SCALE 3:1



2-2325811-1
AND
3-2325811-1
ONLY
(TAPE REMOVED)
SCALE 3:1

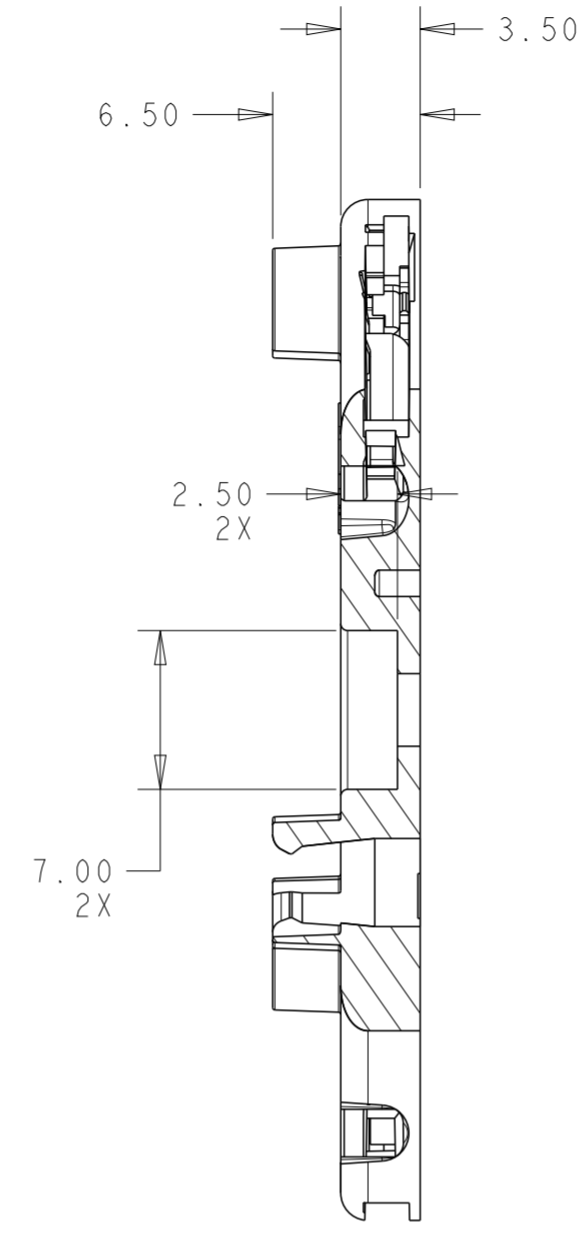
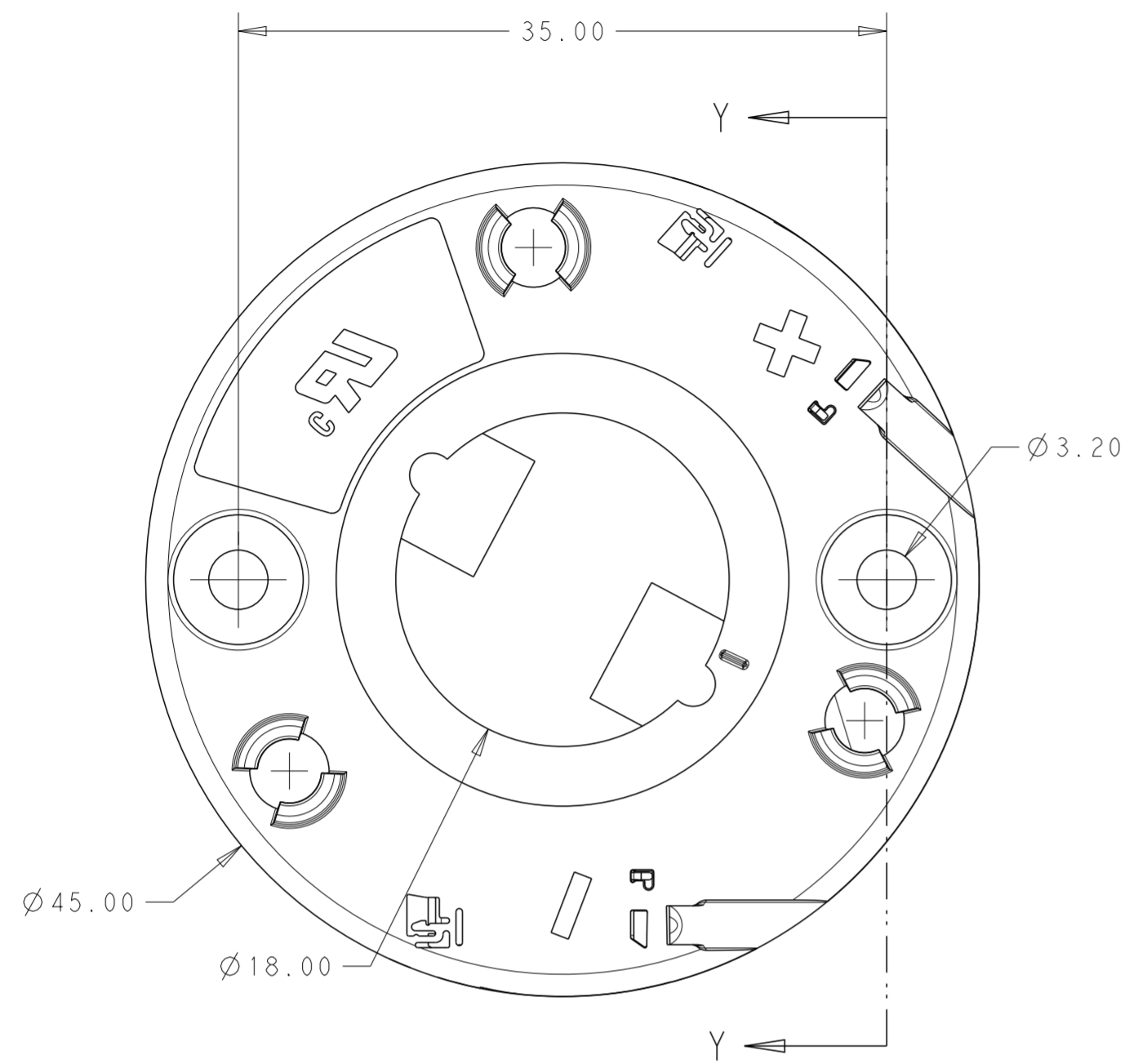


SECTION X - X
1-2325811-2 SHOWN
SCALE 3:1

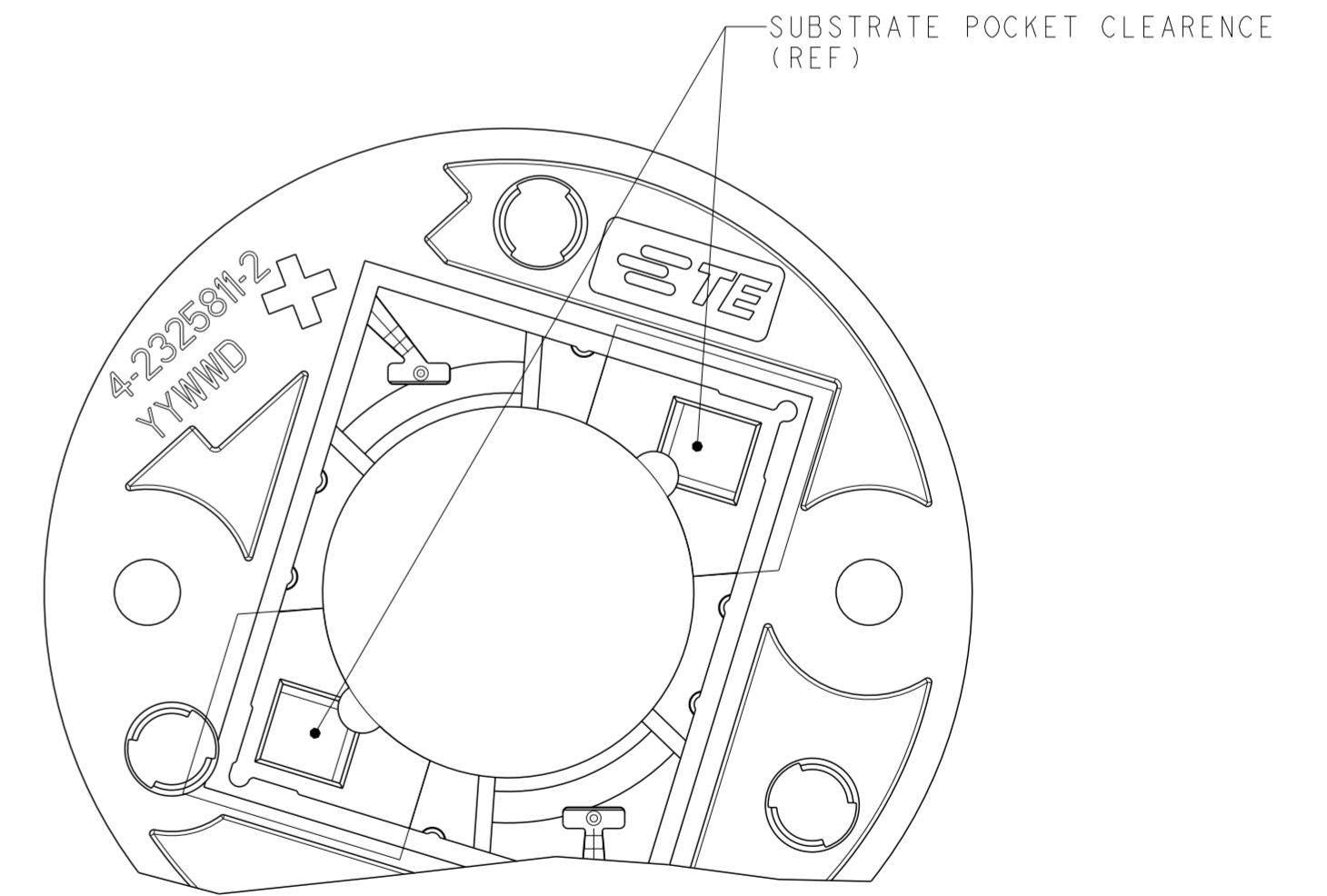
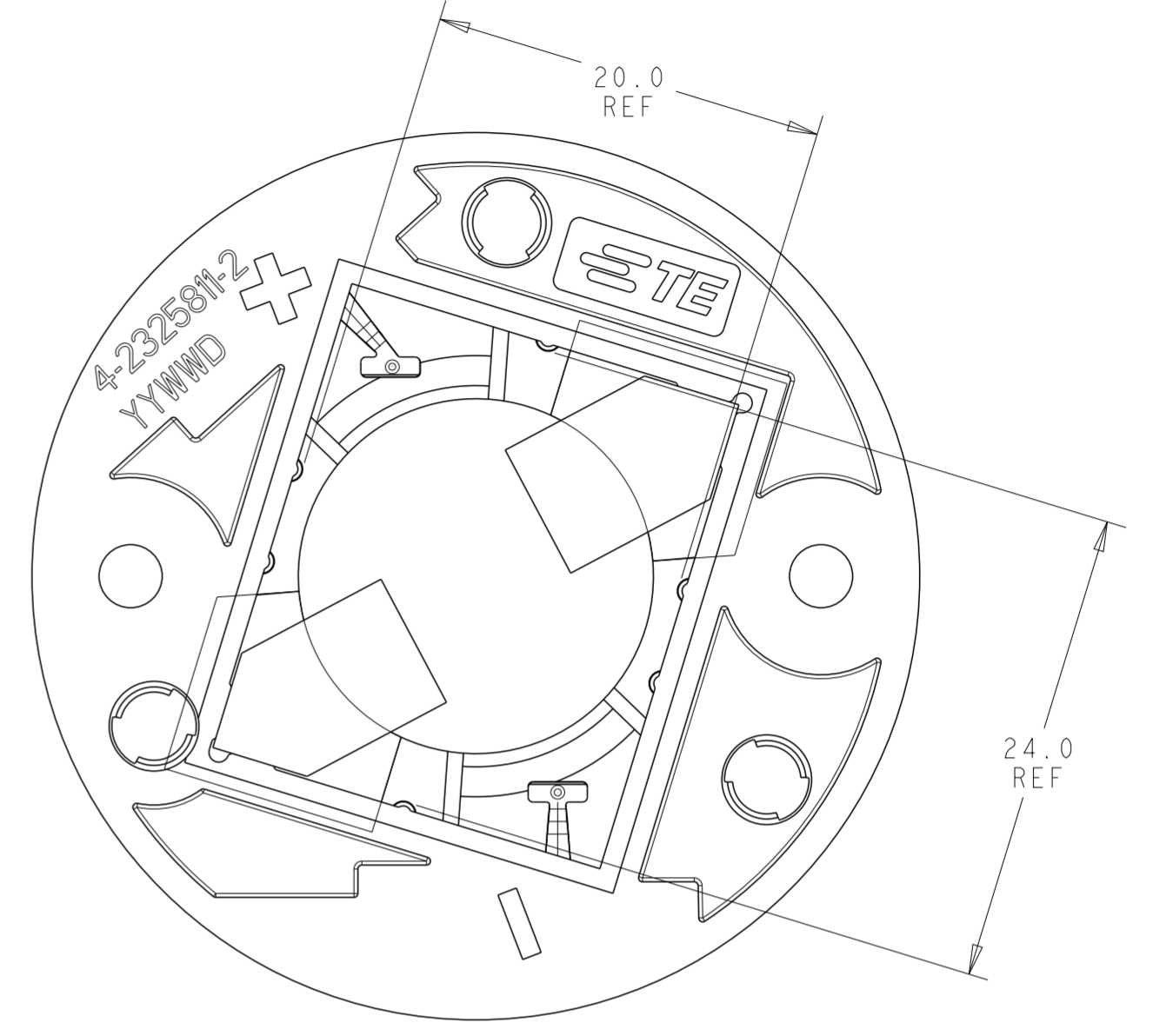
THIS DRAWING IS A CONTROLLED DOCUMENT.		DWN C. DAILY 20DEC2017	TE Connectivity		
		CHK J. LATORRE 20DEC2017			
DIMENSIONS: mm		APVD -	NAME LED HOLDER, 20x24 LUMAWISE Z45 LED		
TOLERANCES UNLESS OTHERWISE SPECIFIED: 0 PLC ± 1 PLC ±0.2 2 PLC ±0.13 3 PLC ± 4 PLC ± ANGLES ±2° FINISH		PRODUCT SPEC 108-133062	RESTRICTED TO -		
MATERIAL -		APPLICATION SPEC 114-133107	SIZE A200779	DRAWING NO C-2325811	
		WEIGHT -	SCALE 3:1	SHEET 2 OF 4	
		CUSTOMER DRAWING	REV B4		

THIS DRAWING IS UNPUBLISHED. RELEASED FOR PUBLICATION 20
 © COPYRIGHT 20 BY - ALL RIGHTS RESERVED.

REVISIONS					
P	LTR	DESCRIPTION	DATE	DWN	APVD
-	-	SEE SHEET 1	-	-	-



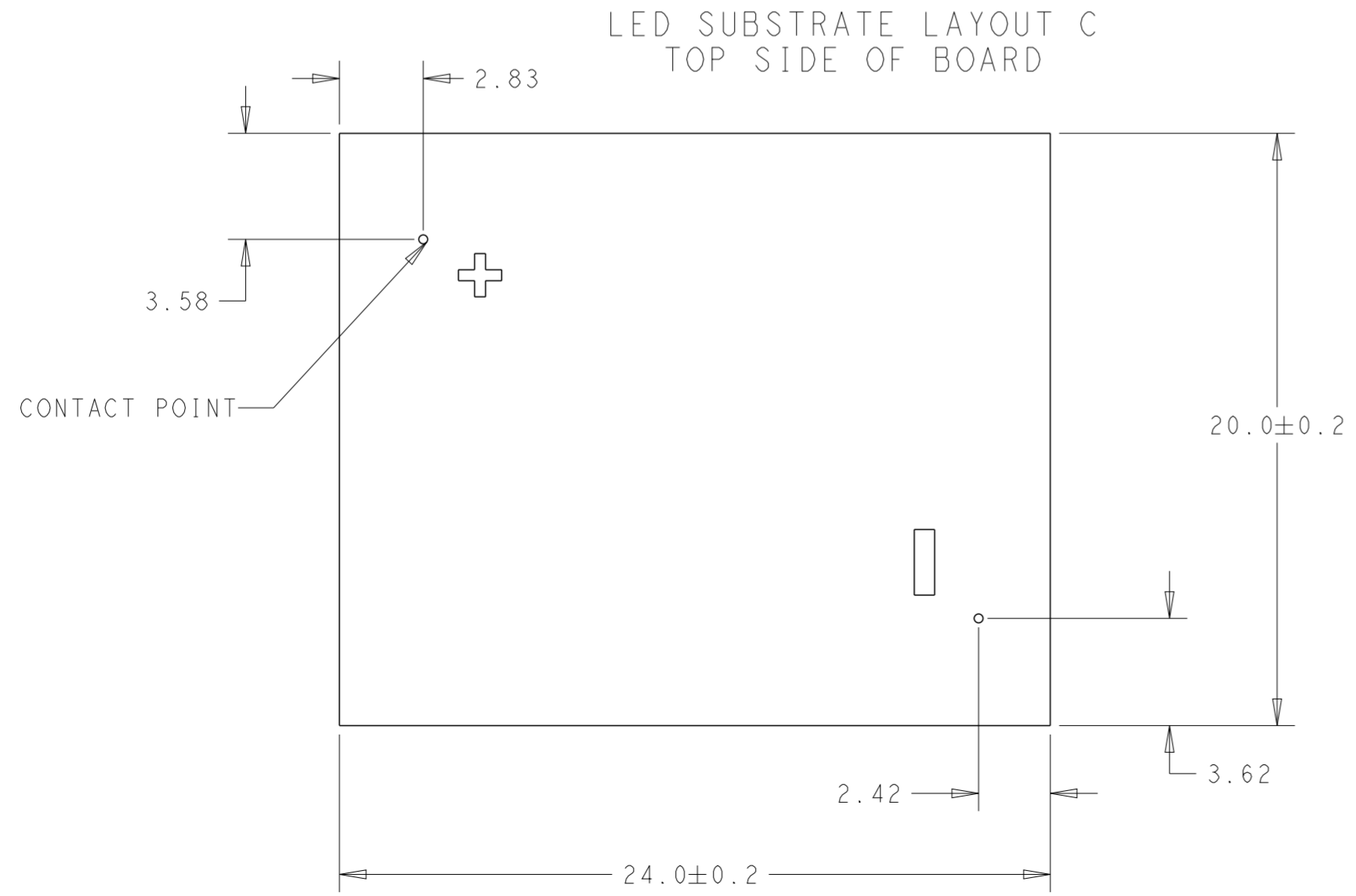
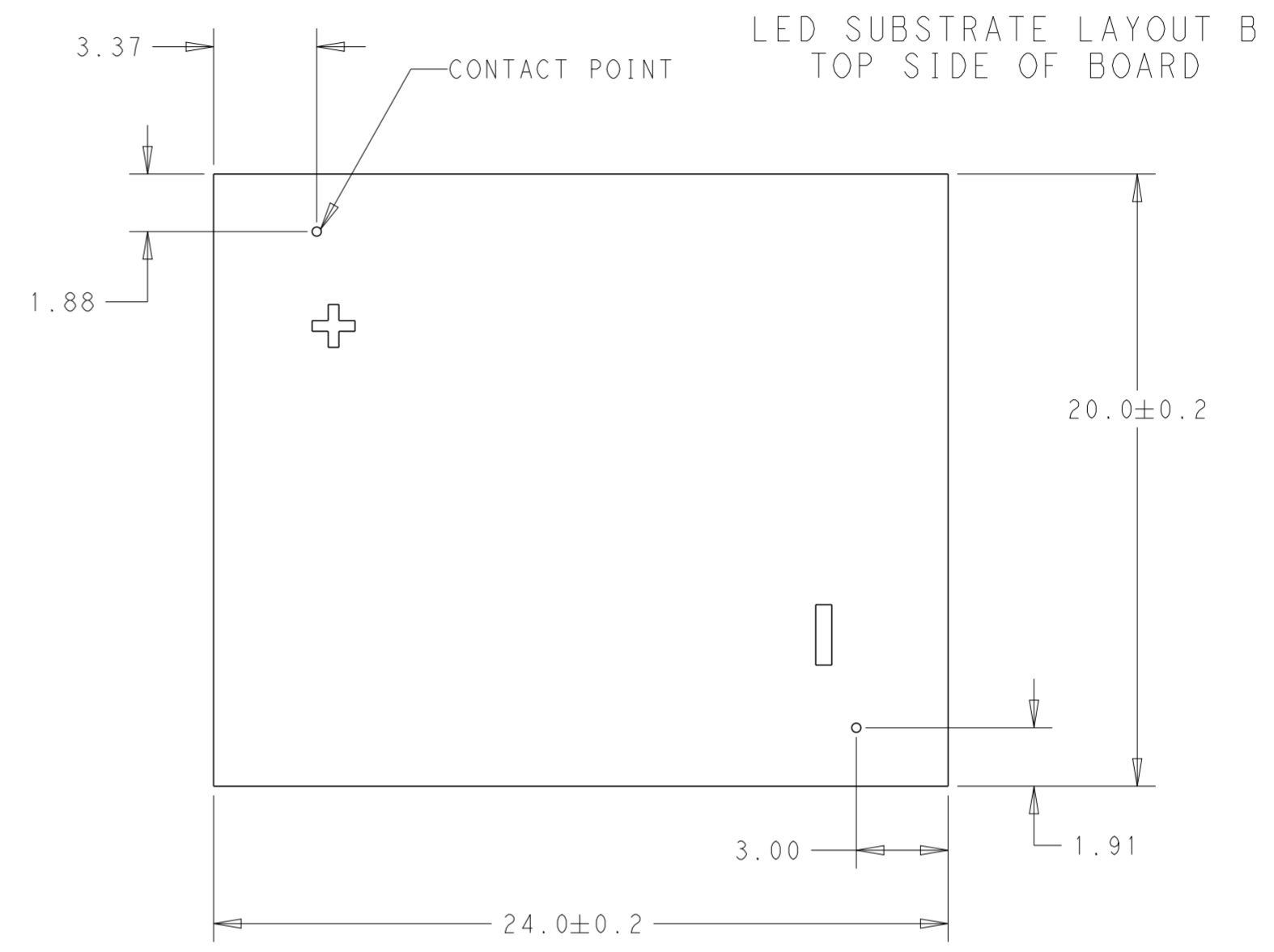
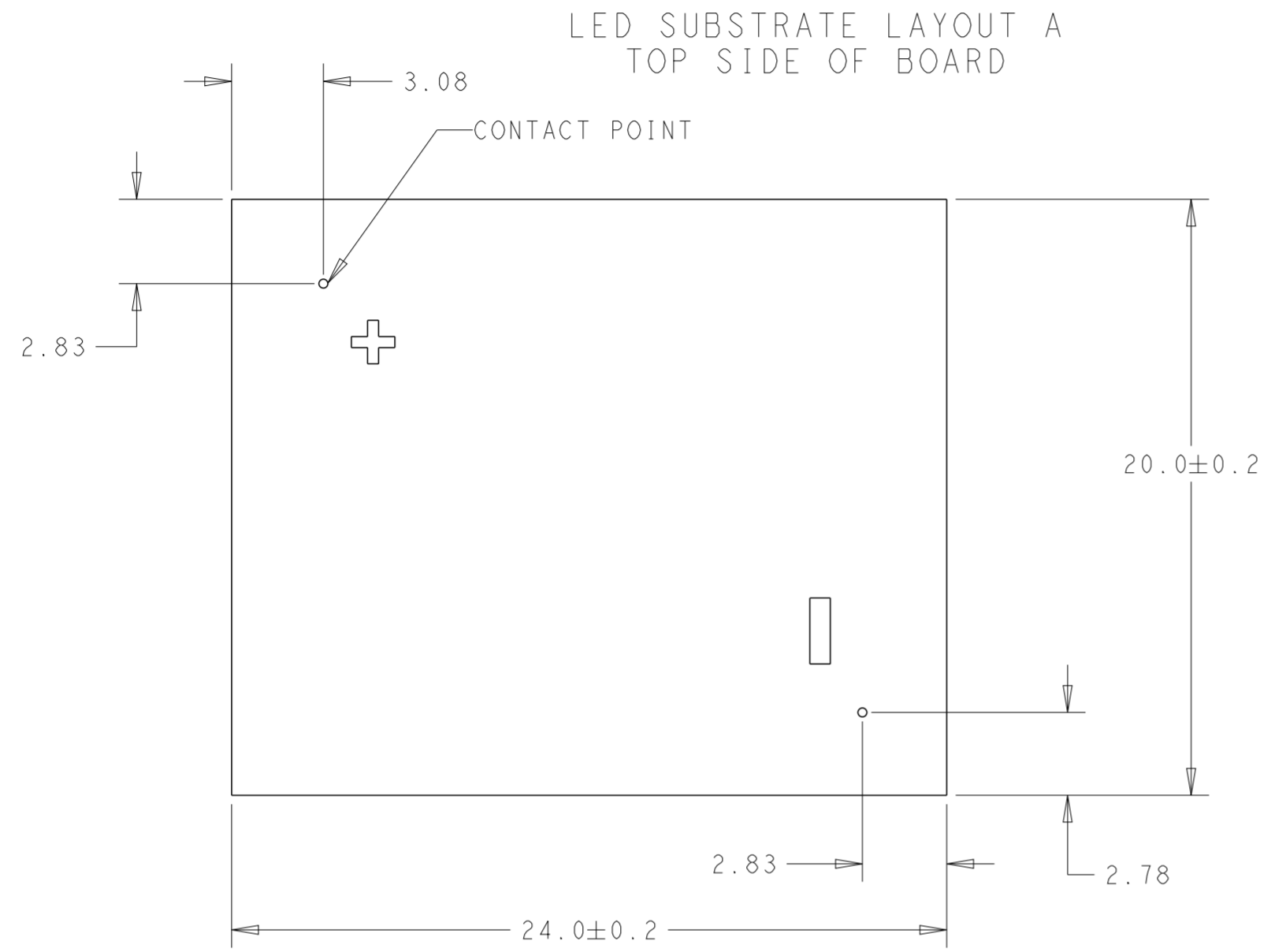
SECTION Y-Y
4-2325811-2 AS SHOWN



THIS DRAWING IS A CONTROLLED DOCUMENT.		DWN C. DAILY 20DEC2017	STE TE Connectivity	
		CHK J. LATORRE 20DEC2017		
DIMENSIONS:	TOLERANCES UNLESS OTHERWISE SPECIFIED:	APVD -	NAME LED HOLDER, 20x24 LUMAWISE Z45 LED	
mm	0 PLC ± 1 PLC ±0.2 2 PLC ±0.13 3 PLC ± 4 PLC ±	PRODUCT SPEC 108-133062	SIZE -	
	ANGLES ±2°	APPLICATION SPEC 114-133107	CAGE CODE A200779	DRAWING NO C-2325811
MATERIAL	FINISH	WEIGHT	RESTRICTED TO	
-	-	-	-	
CUSTOMER DRAWING		SCALE 3:1	SHEET 3 OF 4	REV B4

THIS DRAWING IS UNPUBLISHED. RELEASED FOR PUBLICATION 20
 © COPYRIGHT 20 BY - ALL RIGHTS RESERVED.

REVISIONS				
P	LTR	DESCRIPTION	DATE	APVD
-	-	SEE SHEET 1	-	-



THIS DRAWING IS A CONTROLLED DOCUMENT.		DWN C. DAILY 20DEC2017	STE TE Connectivity	
		CHK J. LATORRE 20DEC2017		
DIMENSIONS: mm		TOLERANCES UNLESS OTHERWISE SPECIFIED:		APVD -
		0 PLC ±	NAME LED HOLDER, 20x24 LUMAWISE Z45 LED	
		1 PLC ±0.2	PRODUCT SPEC 108-133062	
MATERIAL -		2 PLC ±0.13	APPLICATION SPEC 114-133107	
		3 PLC ±	SIZE A200779	
-		4 PLC ±	CAGE CODE C-2325811	
		ANGLES ±	DRAWING NO -	
-		FINISH -	RESTRICTED TO -	
		FINISH -	SCALE 3:1 SHEET 4 OF 4 REV B4	
CUSTOMER DRAWING				