

THIS DRAWING IS UNPUBLISHED.

RELEASED FOR PUBLICATION

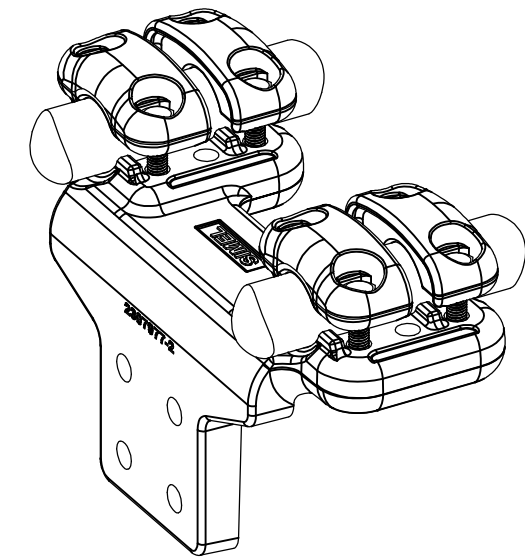
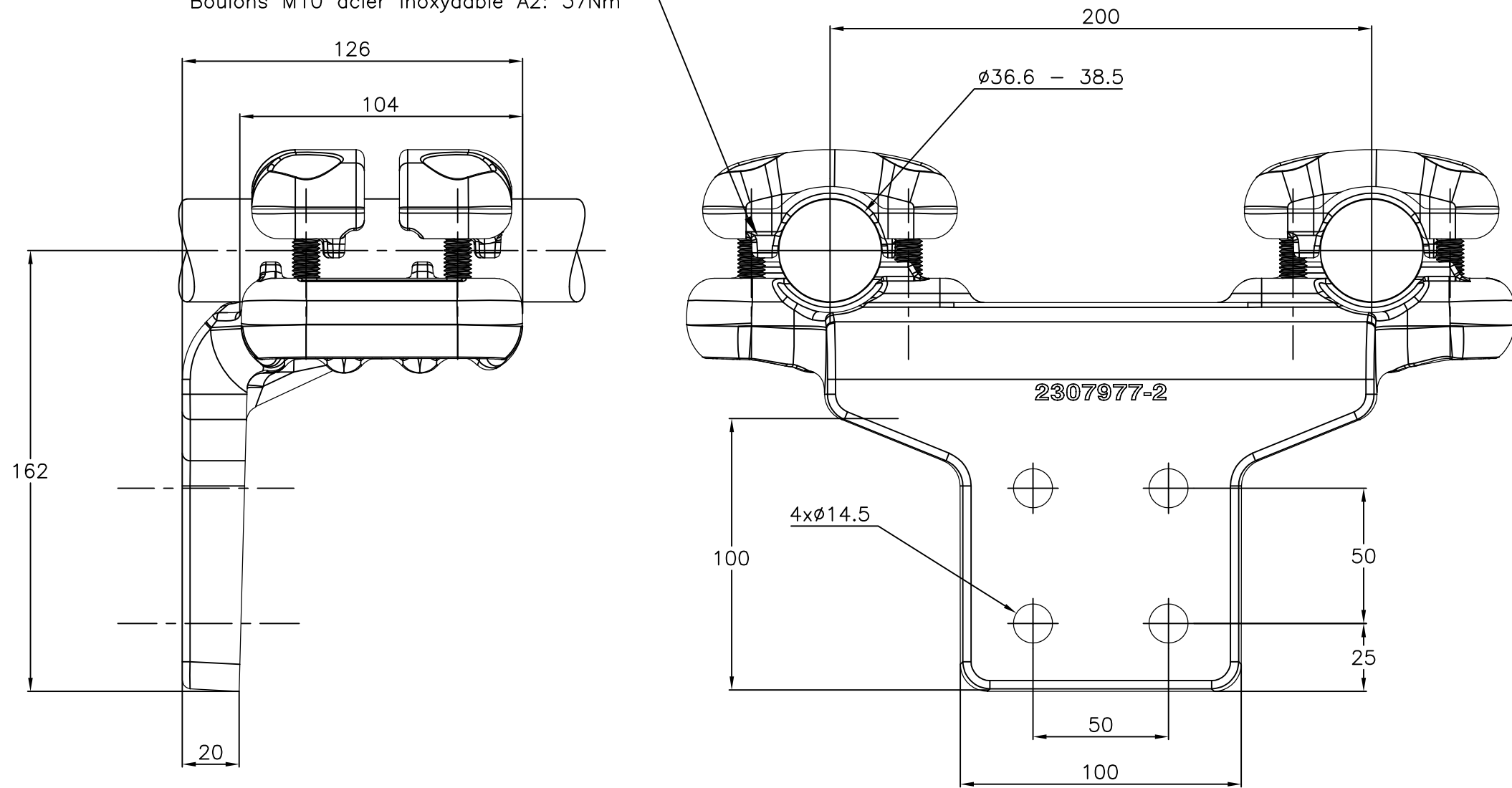
ALL RIGHTS RESERVED.

© COPYRIGHT - By -

REVISIONS

P	LTR	DESCRIPTION	DATE	DWN	APVD
	A	CREATION	25-SEP-17	GL	-

M10 Bolts stainless steel A2: 37Nm
 Boulons M10 acier inoxydable A2: 37Nm



No scale
 Sans échelle

162

20

200

ø36.6 - 38.5

2307977-2

4xø14.5

100

50

25

50

100

THIS DRAWING IS A CONTROLLED DOCUMENT.

DWN LAFORGE 25-SEP-17

CHK -

APVD -

PRODUCT SPEC

108-69096-001

APPLICATION SPEC

APPROX.WEIGHT 3.42 kg

CUSTOMER DRAWING



NAME VERTICAL PAD CONNECTOR TO TWIN
 RACCORD FAISCEAU DOUBLE SUR PLAGE EQUERRE

5 PE 82 F M385 E200 100 C257

SIZE	CAGE CODE	DRAWING NO	RESTRICTED TO
A3	00779	C=2325490	-

SCALE	SHEET	REV
1:2	1 OF 1	A

ITEM:.....