

THIS DRAWING IS UNPUBLISHED.

RELEASED FOR PUBLICATION

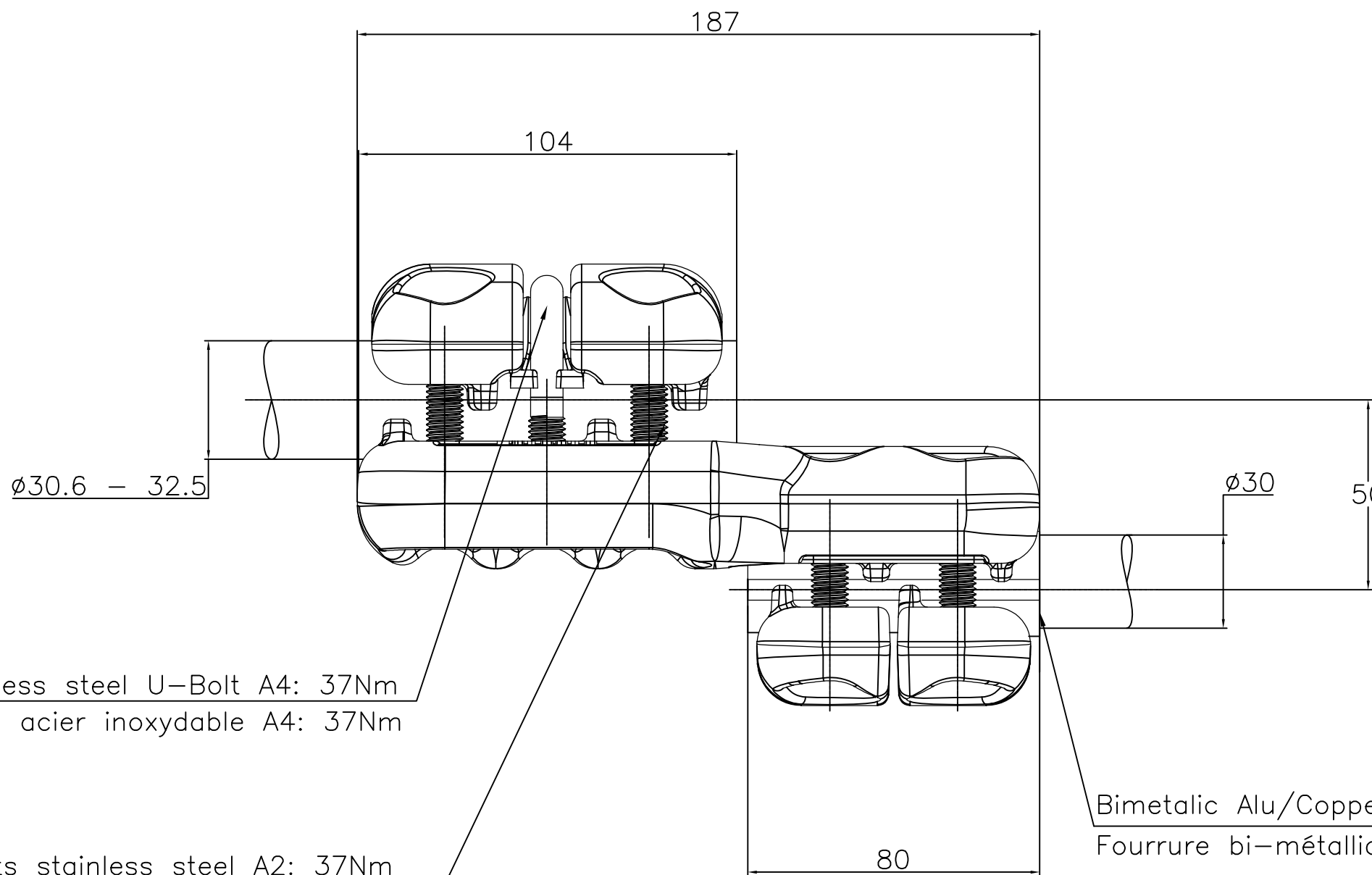
-. - .

© COPYRIGHT - By -

ALL RIGHTS RESERVED.

REVISIONS

P	LTR	DESCRIPTION	DATE	DWN	APVD
	A	CREATION	04-SEP-17	GL	-




M10 stainless steel U-Bolt A4: 37Nm
 Etrier M10 acier inoxydable A4: 37Nm

M10 Bolts stainless steel A2: 37Nm
 Boulons M10 acier inoxydable A2: 37Nm

Bimetallic Alu/Copper sleeve 32Dia x30
 Fourrure bi-métallique alu/cuivre ø32x30

ITEM:.....

THIS DRAWING IS A CONTROLLED DOCUMENT.		DWN LAFORGE 09-SEP-17	 TE Connectivity		
DIMENSIONS: mm		CHK -			
TOLERANCES UNLESS OTHERWISE SPECIFIED:		APVD -	PRODUCT SPEC 108-69096-001		
0 PLC ± - 1 PLC ± - 2 PLC ± - 3 PLC ± - 4 PLC ± - ANGLES ± -		APPLICATION SPEC -	SIZE A3 CAGE CODE 00779 DRAWING NO C=2324646		
MATERIAL -		FINISH -	APPROX.WEIGHT 1.98 kg	RESTRICTED TO -	
CUSTOMER DRAWING			SCALE 2:3	SHEET 1 OF 1	REV A