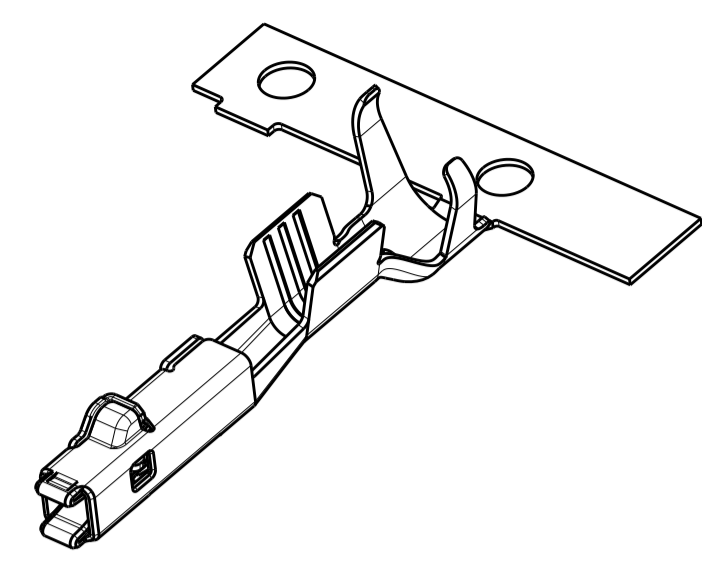
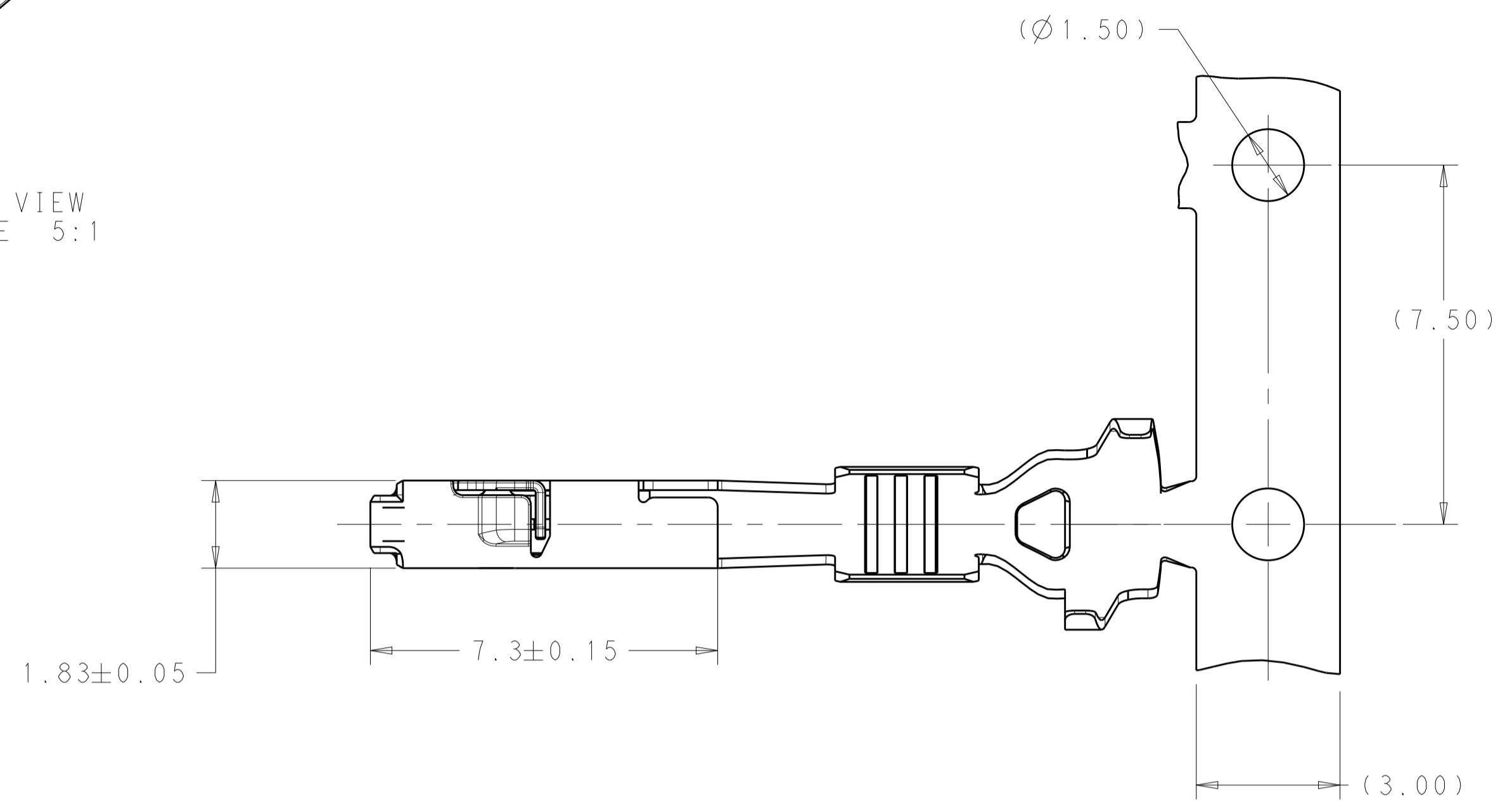


REVISIONS				
P.	LTN	DESCRIPTION	DATE	APVD
A		REV PER ECO-18-005019	03APR2018	HM FK
A1		REV PER ECO-19-008549	08JUL2019	SY FK



REF VIEW
SCALE 5:1



- 1. COPPER ALLOY
- 2. 2.0µm MIN SILVER IN CONTACT AREA, 0.5µm MIN SILVER IN WIRE BARREL ALL OVER 0.5µm NICKEL
- 3. TERMINAL DESIGNED TO BE USED WITH SINGLE WIRE SEAL. SEE APPLICATION SPEC 114-32121 FOR PART NUMBERS
- 4. SEE APPLICATION SPEC 114-32121 FOR ALLOWABLE INSULATION O.D.
- 5. MAX 9 TERMINALS MISSING PER REEL PERMITTED
- 6. 3 LOOSE SPLICES PER REEL ALLOWED
- A1 7. TERMINAL IS QUALIFIED TO GMW3191 T3(-40°C TO 125°C) AND V1(SEALED ON BODY SPRUNG MASS)

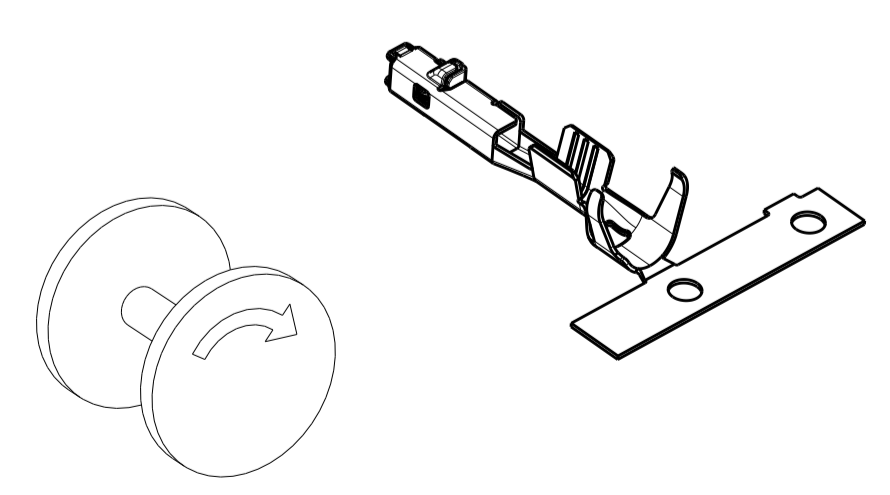
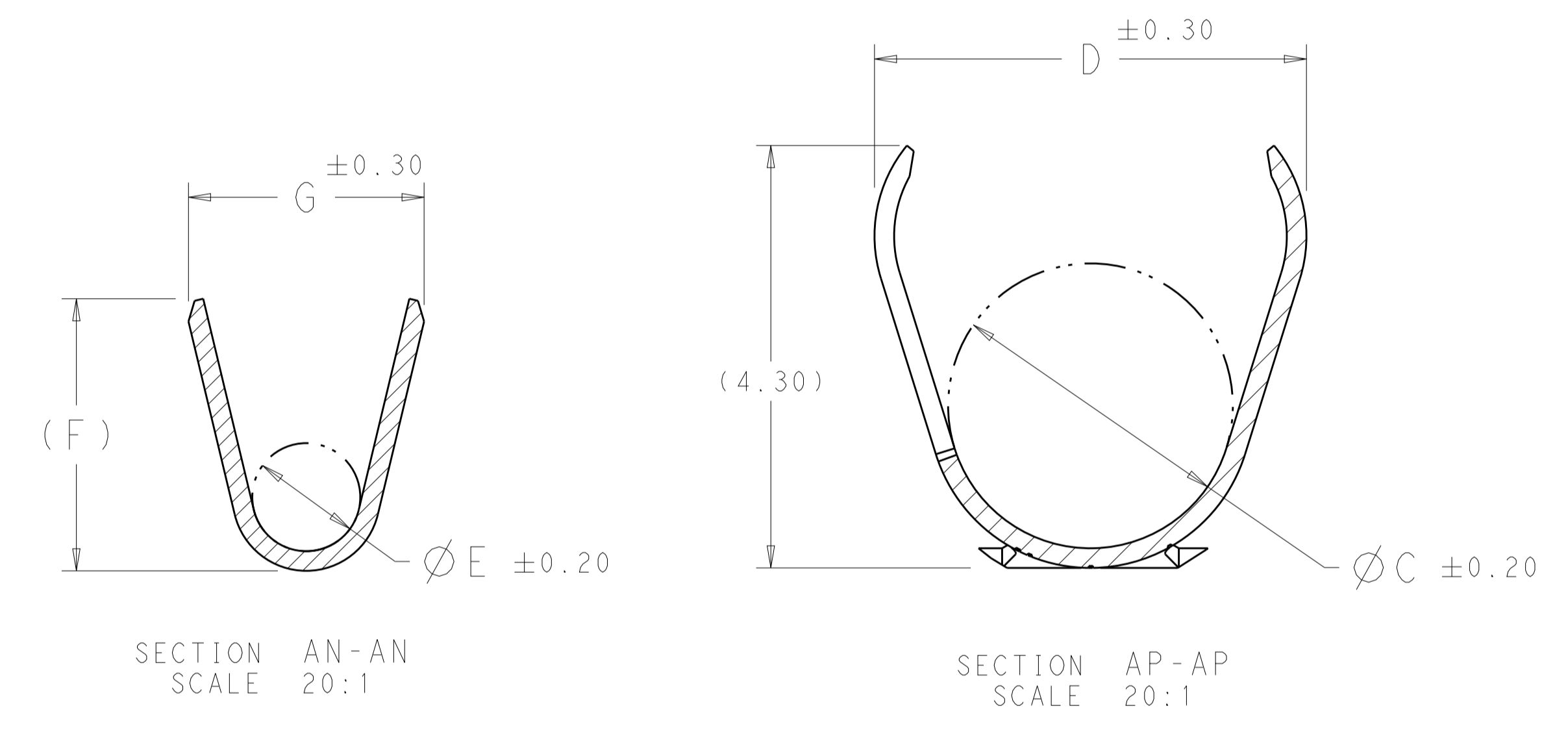
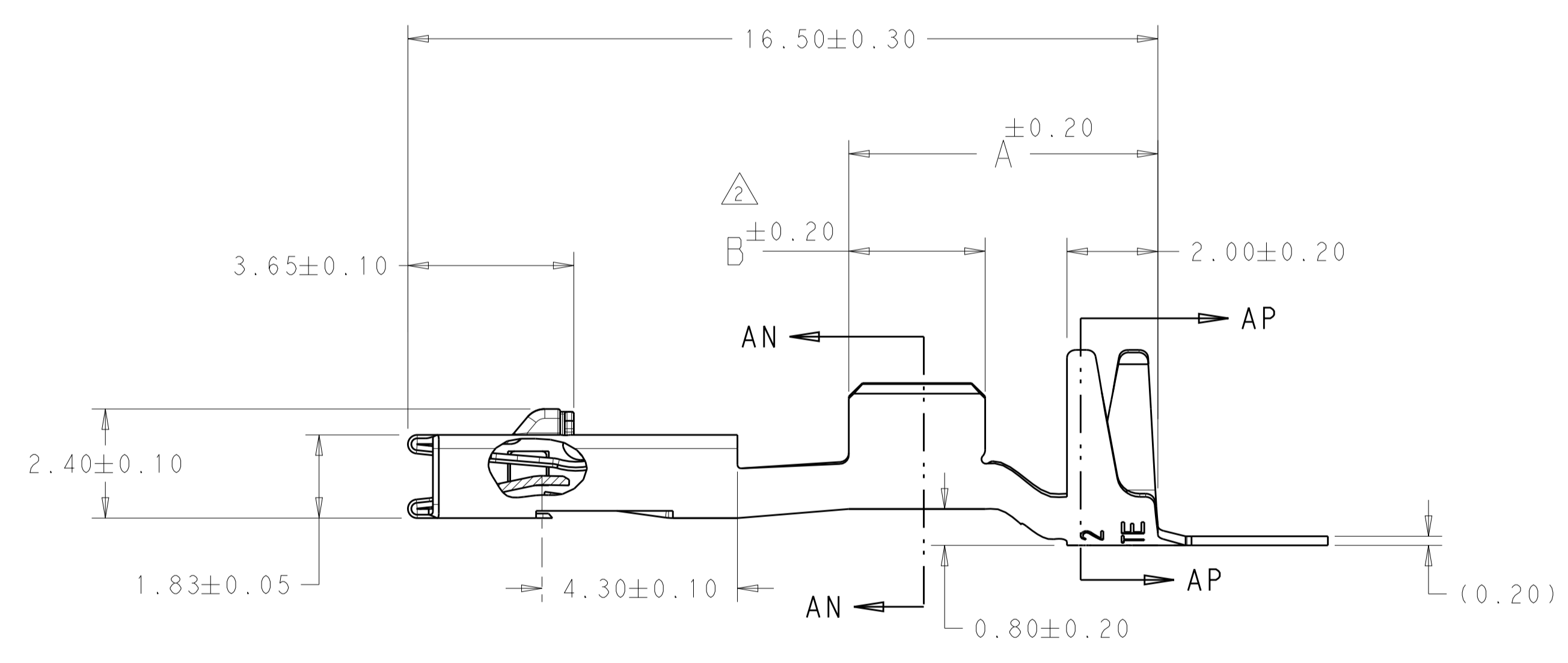


FIG 1
REELING DIRECTION
SCALE 3:1

0.185	FIG 1	1.80	1.80	0.80	4.20	2.60	2.60	6.40	0.35mm ²	2321537-3
0.190	FIG 1	2.00	2.10	1.10	4.20	2.70	3.00	6.80	0.50mm ²	2321537-2
0.200	FIG 1	2.40	2.77	1.10	4.40	2.90	3.00	6.80	0.75mm ² TO 1.0mm ²	2321537-1
WEIGHT (GRAMS)	REELING	G	F	E	D	C	B	A	WIRE SIZE	PART NO

THIS DRAWING IS A CONTROLLED DOCUMENT.

DIMENSIONS:	TOLERANCES UNLESS OTHERWISE SPECIFIED:	APVD	DATE
mm	0 PLC ± 1 PLC ± 2 PLC ± 3 PLC ± 4 PLC ± ANGLES ±	C. RAYBOLD	11JUL2017
MATERIAL:	FINISH:	NAME	SIZE
△	△	FEMALE TERMINAL, SILVER PLATE, SINGLE WIRE SEAL, MCON MONO 1.2	A100779C=2321537
CUSTOMER DRAWING		SCALE	SHEET 1 OF 1
		SCALE	10:1