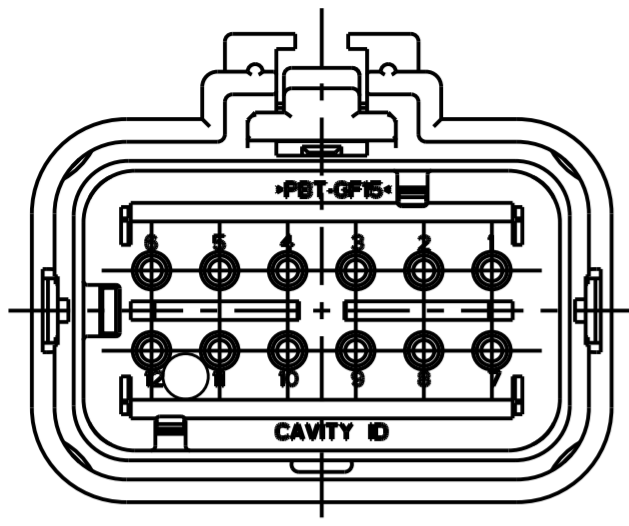
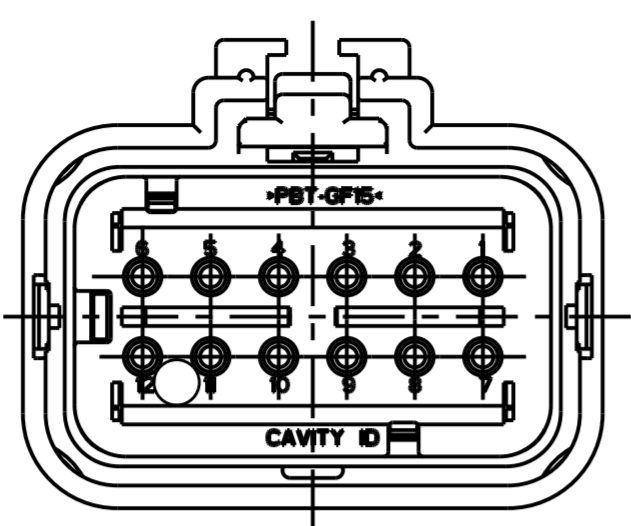


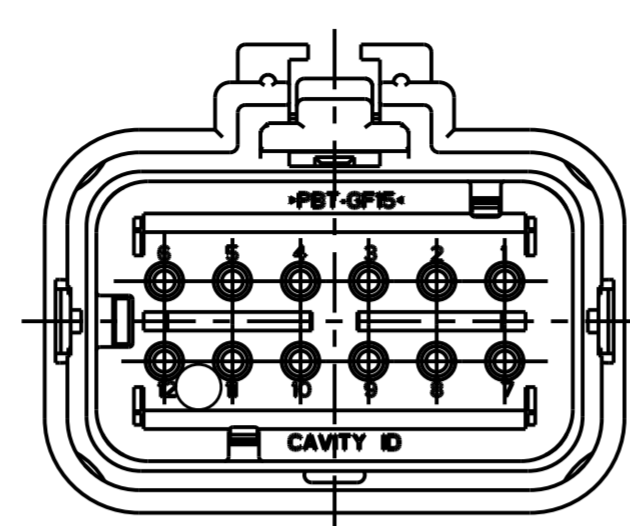
REVISIONS				
P	LTR	DESCRIPTION	DATE	APVD
A		NEW RELEASE	08APR2021	MK BC



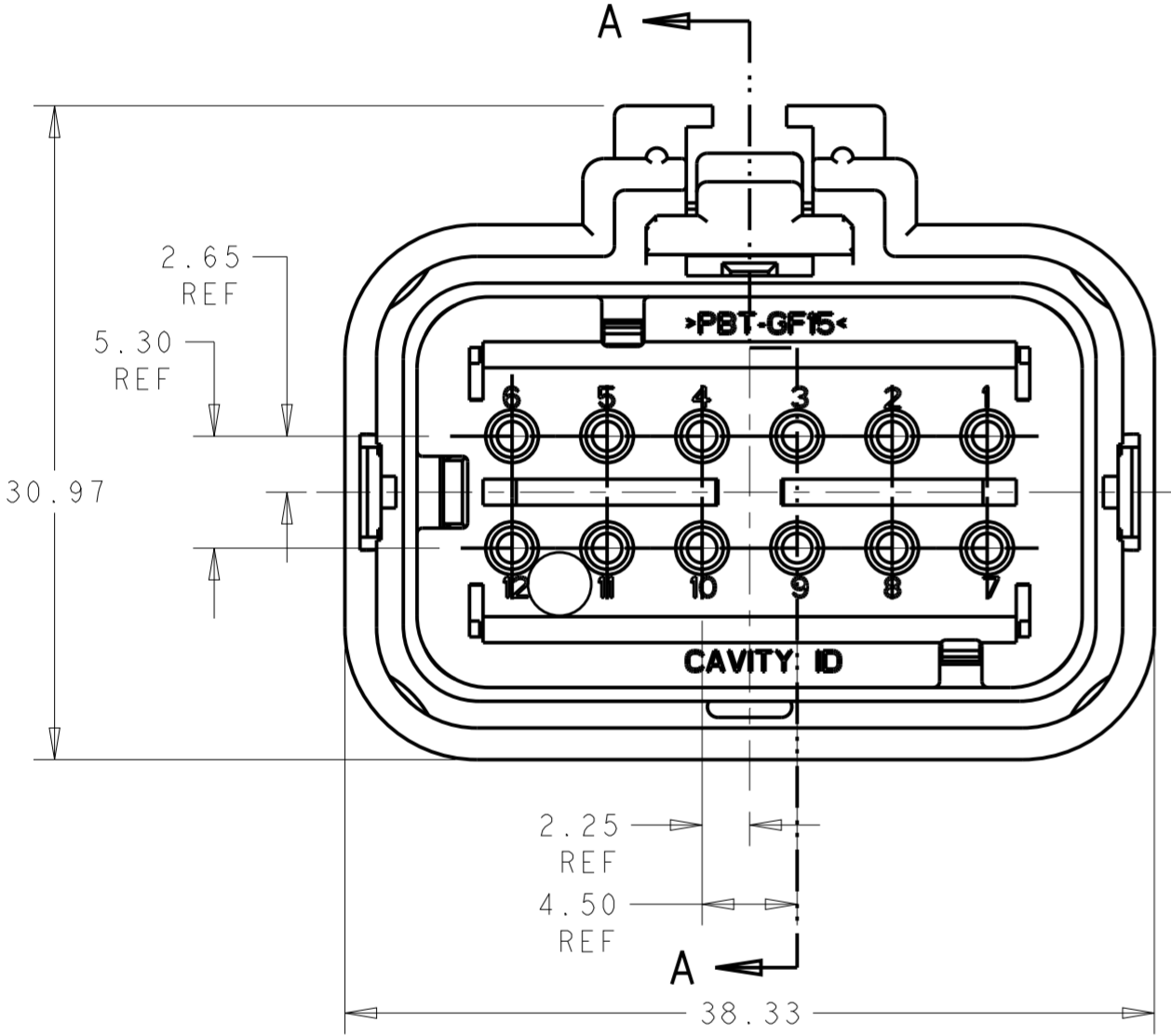
2320925-2
 (BLUE TPA)
 KEY B
 SCALE 2:1



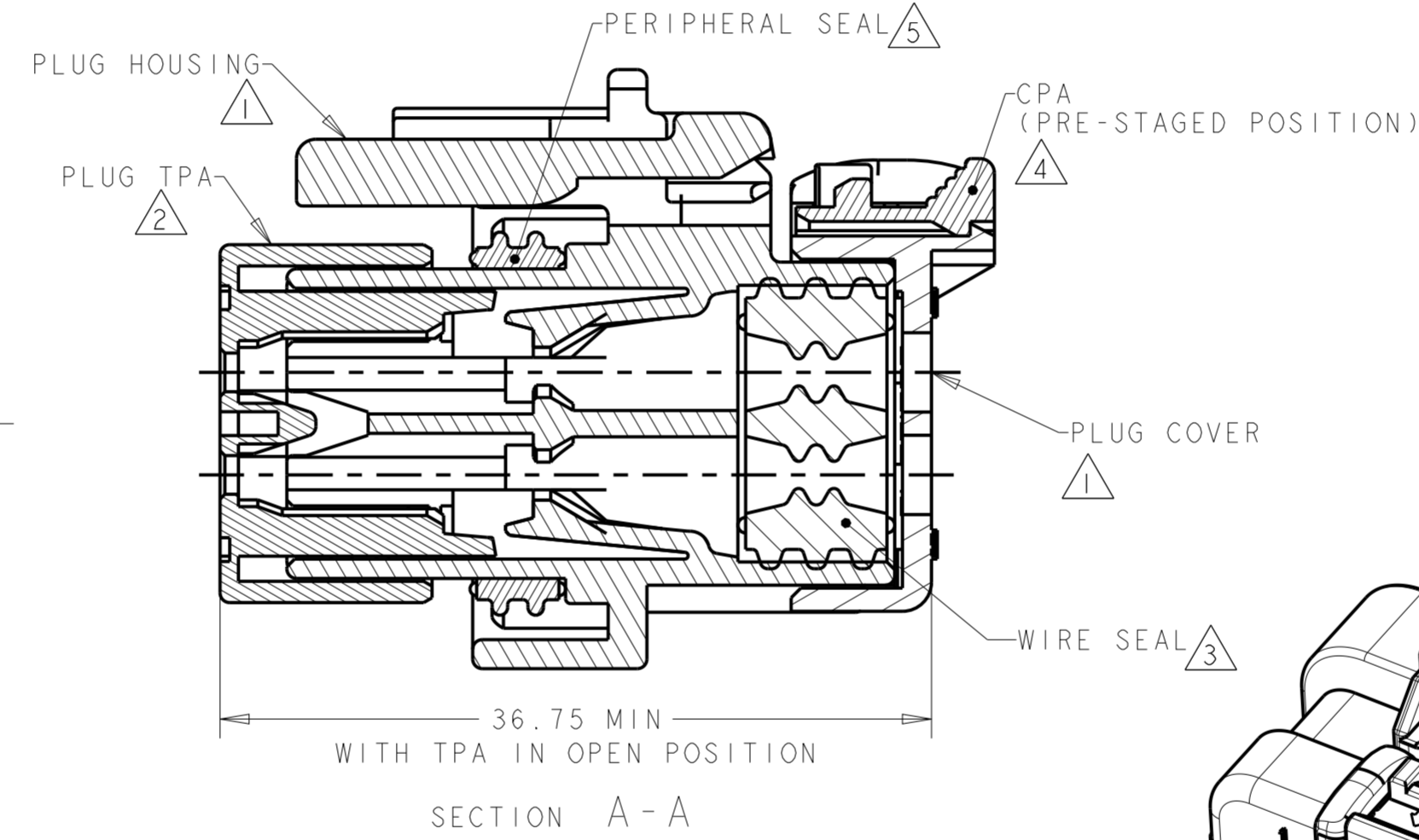
2320925-3
 (PURPLE TPA)
 KEY C
 SCALE 2:1



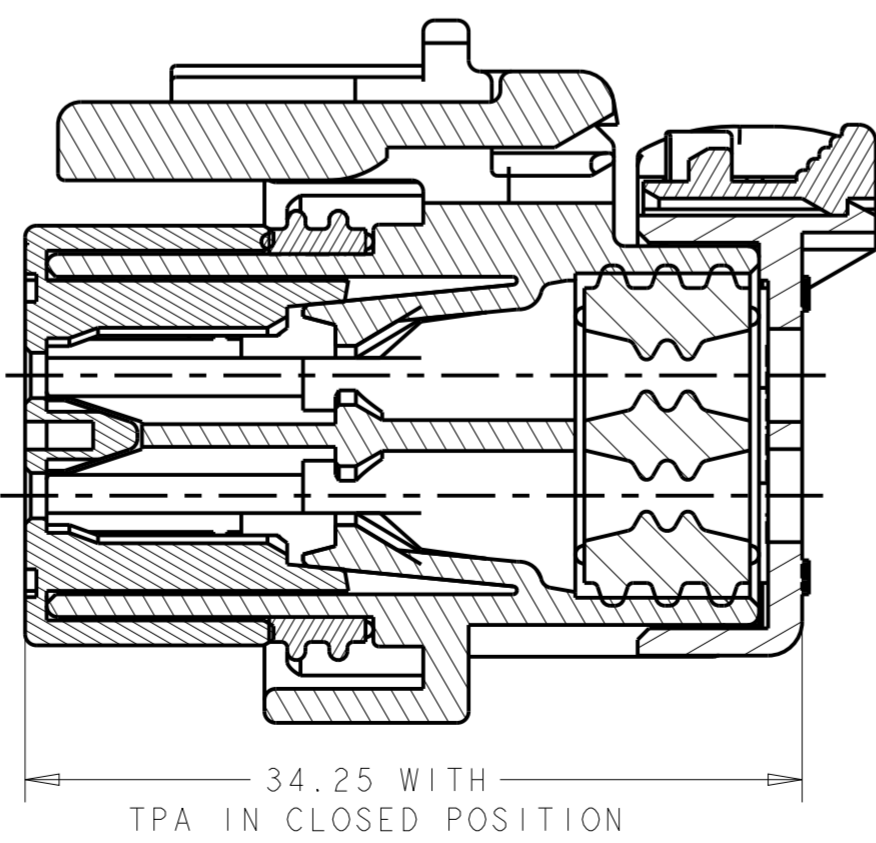
2320925-4
 (ORANGE TPA)
 KEY D
 SCALE 2:1



2320925-1 SHOWN
 (TAN TPA)
 KEY A

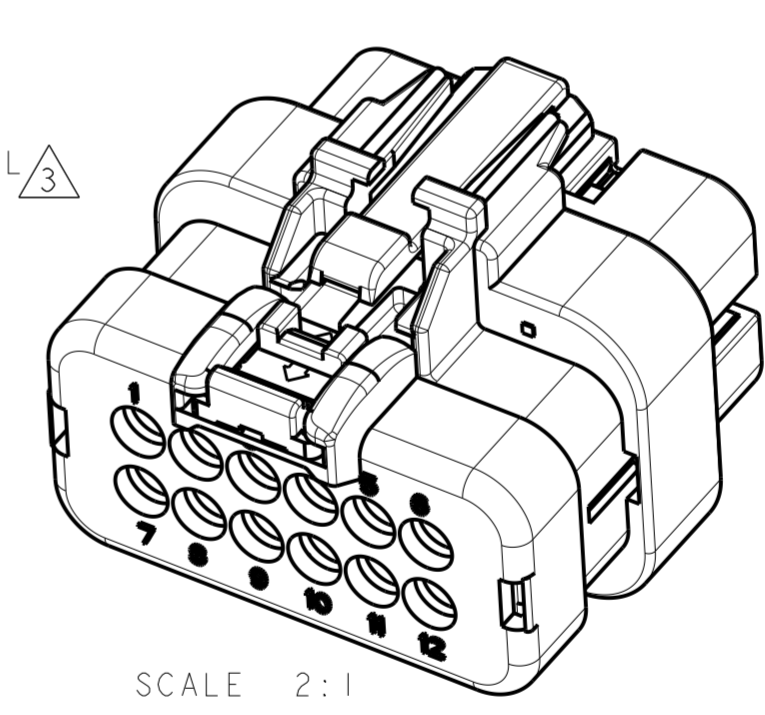


SECTION A-A

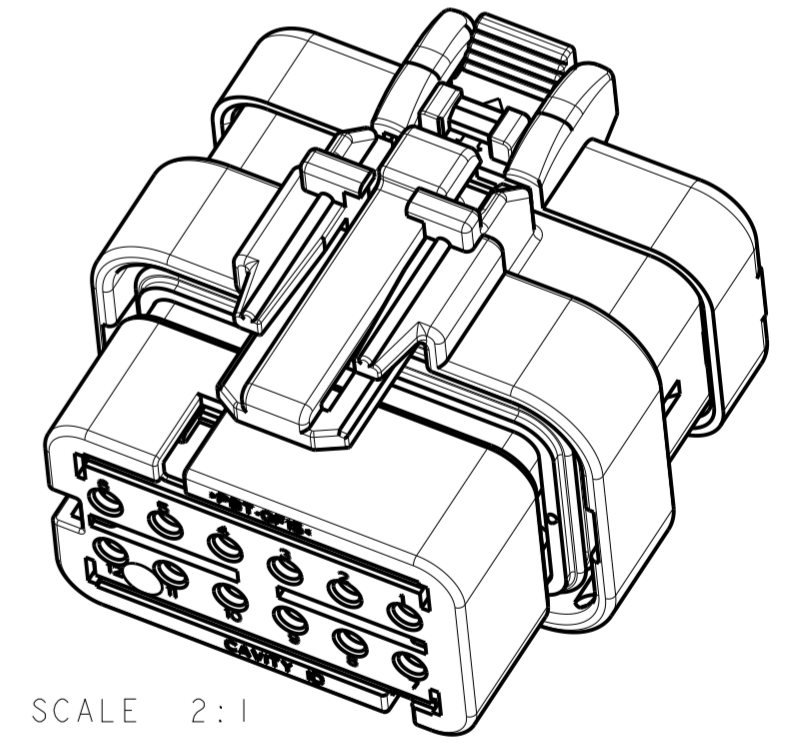


SECTION A-A
 SCALE 3:1

- 1 MATERIAL: 15% FIBERGLASS REINFORCED PBT
 COLOR: GRAY
- 2 MATERIAL: 15% FIBERGLASS REINFORCED PBT
 COLOR: (SEE TABLE)
- 3 MATERIAL: SILICONE
 COLOR: GREEN
- 4 MATERIAL: 15% FIBERGLASS REINFORCED PBT
 COLOR: ORANGE
- 5 MATERIAL: SILICONE
 COLOR: TAN
- 6. RECOMMENDED WIRE DIAMETER RANGE IS 2.18 TO 3.67mm.
- 7. RECOMMENDED BACKSHELLS:
 STRAIGHT EXIT:
 A. 2292802-1 SMOOTH WIRE EXIT
 B. 2292802-2 NC20/NW17 CONDUIT WIRE EXIT
 C. 2292802-3 NC16/NW13 CONDUIT WIRE EXIT
 90° EXIT:
 D. 2302495-1 SMOOTH WIRE EXIT
 E. 2302495-2 NC20/NW17 CONDUIT WIRE EXIT
 F. 2302495-3 NC16/NW13 CONDUIT WIRE EXIT
- 8. RECOMMENDED SEAL PLUG: 776363-1
- 9. MATING CONNECTOR: 2320918-X.



SCALE 2:1



SCALE 2:1

D	ORANGE	2320925-4
C	PURPLE	2320925-3
B	BLUE	2320925-2
A	TAN	2320925-1
KEY	TPA COLOR	PART NUMBER

THIS DRAWING IS A CONTROLLED DOCUMENT.		DWN J. MCNEAL 12OCT2018	TE Connectivity	
DIMENSIONS: mm		CHK R. BALTER 12OCT2018		
TOLERANCES UNLESS OTHERWISE SPECIFIED:		APVD R. BALTER 12OCT2018	NAME PLUG ASSEMBLY, 12 POSITION, STD DIA SEAL HIGH TEMP, AMPSEAL 16	
0 PLC ±	1 PLC ±	PRODUCT SPEC 108-32602	SIZE A200779	CAGE CODE C-2320925
2 PLC ±0.30	3 PLC ±	APPLICATION SPEC 114-32362	DRAWING NO	RESTRICTED TO
4 PLC ±	ANGLES ±	WEIGHT 20±1g	SCALE 1:1	SHEET OF
FINISH		CUSTOMER DRAWING	REV A	