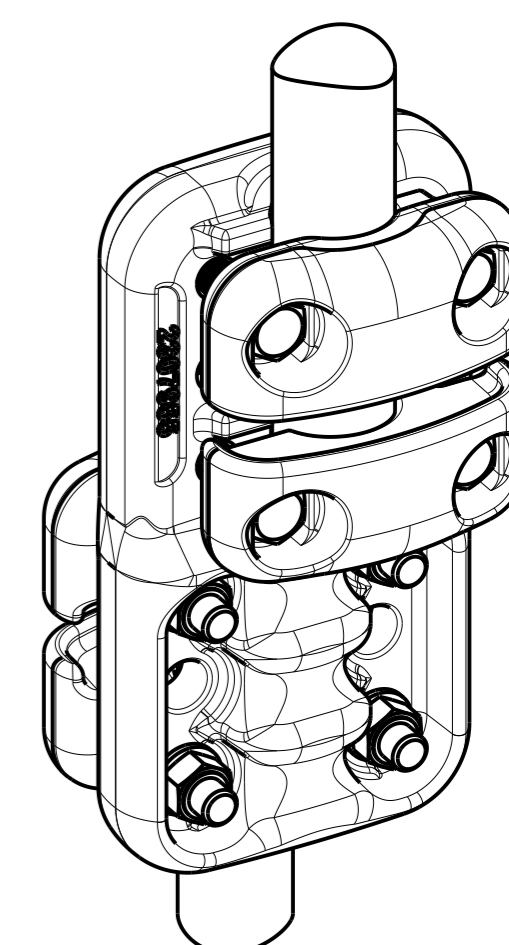
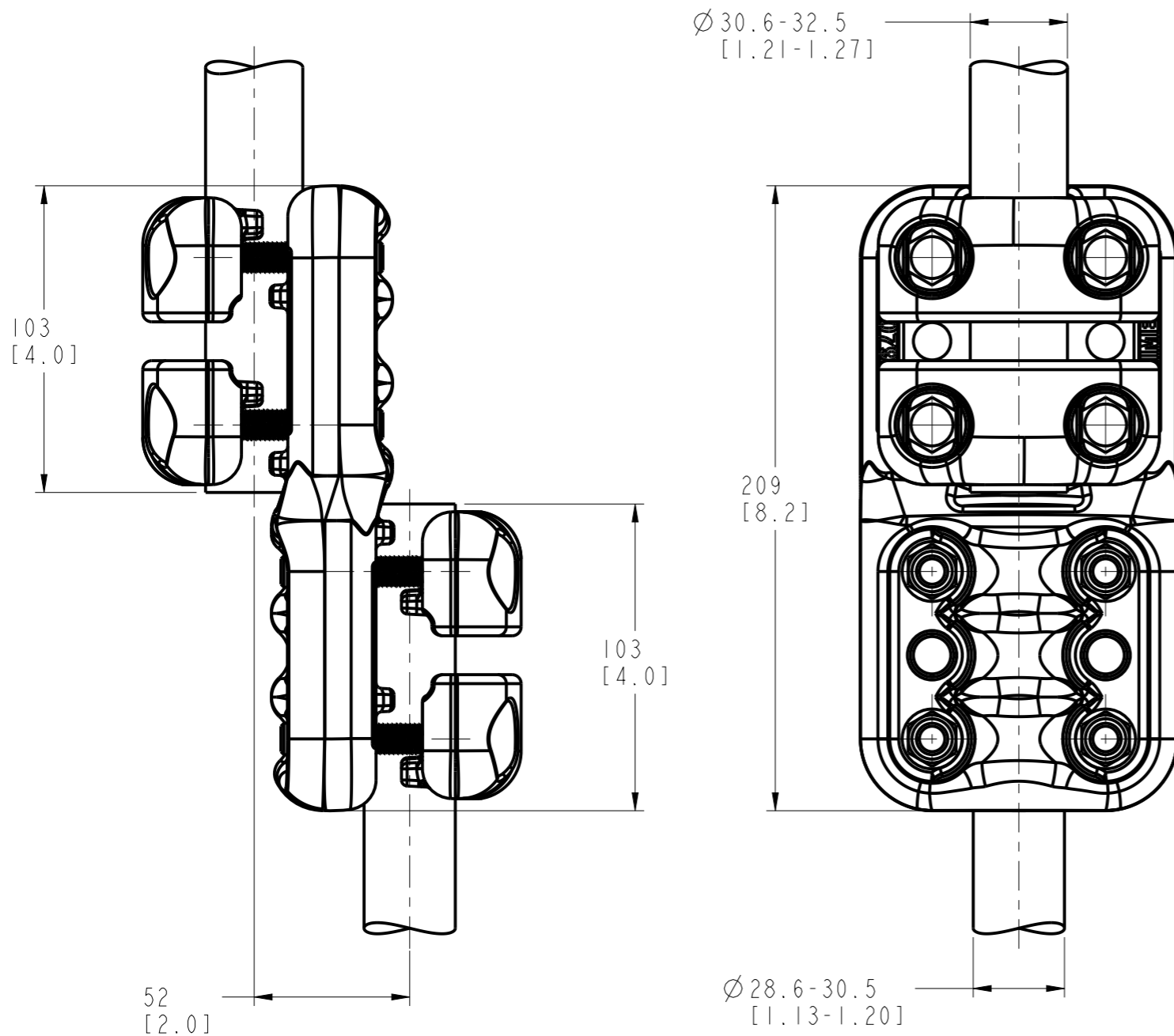


P	LTR	DESCRIPTION	DATE	DWN	APVD
	A	INITIAL REL. PER LC20-0109-20	27OCT2020	BM	MP



NO SCALE
SANS ÉCHELLE

Notes:

- All connector bolts are M10 A2 stainless steel.
M10 bolts to be tightened to 37Nm / 27.3ft-lb torque.
- Tous les boulons de connecteur sont en acier inoxydable A2 M10.
Boulons M10 à serrer au couple de 37Nm / 27.3ft-lb.

2319967-1
PART NO.

THIS DRAWING IS A CONTROLLED DOCUMENT.		DWN BHARATH B M 27OCT2020		
DIMENSIONS: mm[inch]		CHK J. GUPPY 27OCT2020		
TOLERANCES UNLESS OTHERWISE SPECIFIED:		APVD M PREVOT 27OCT2020	NAME STRAIGHT CONNECTOR RACCORD DROIT 5 CJ 82 M325 M305	
		PRODUCT SPEC 108-69096-001	RESTRICTED TO	
MATERIAL		APPLICATION SPEC -	SIZE A3	CAGE CODE 00779
FINISH		WEIGHT 1.7 kg/3.17 lb	DRAWING NO C=2319967-1	SCALE 1:2
		CUSTOMER DRAWING	SHEET 1	OF 1
			REV A	