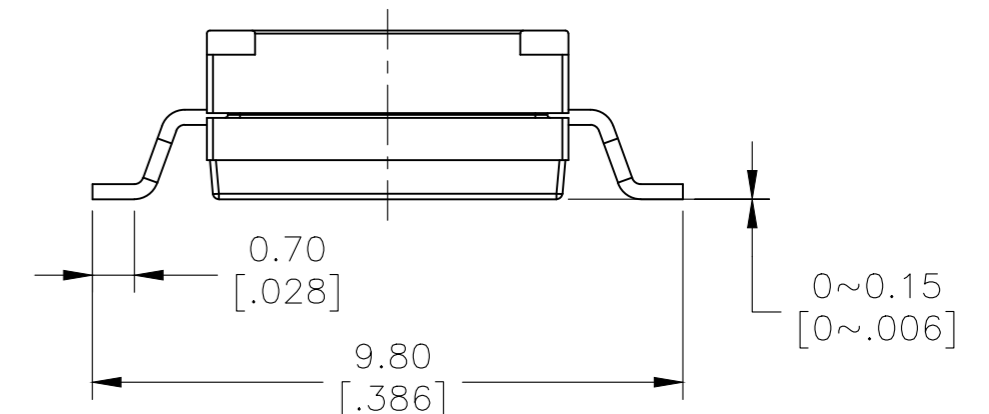
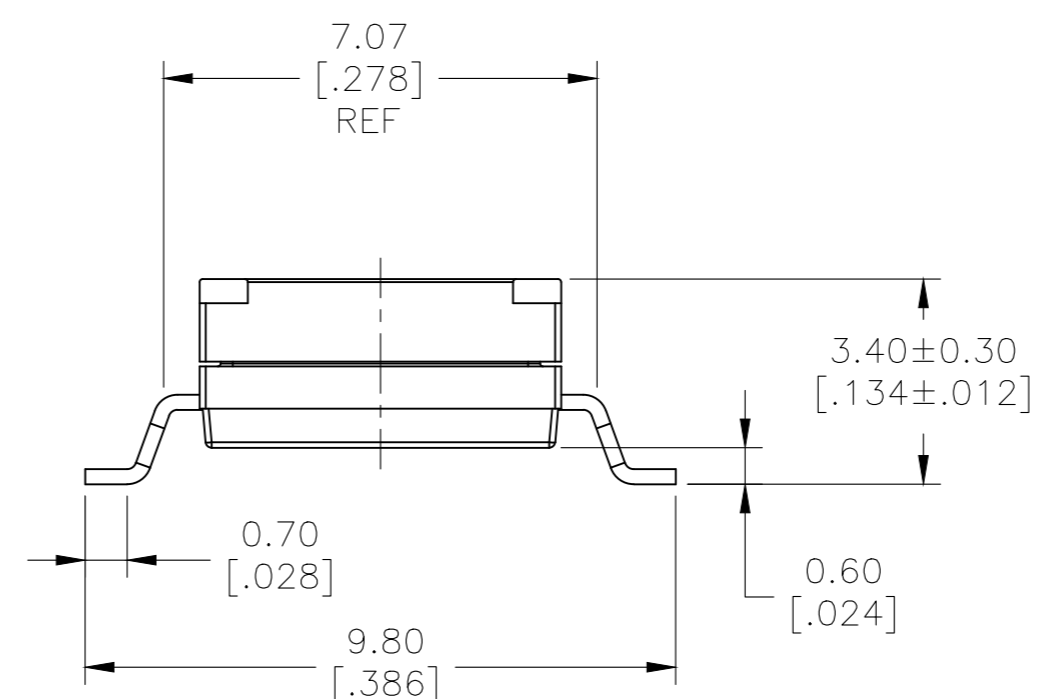
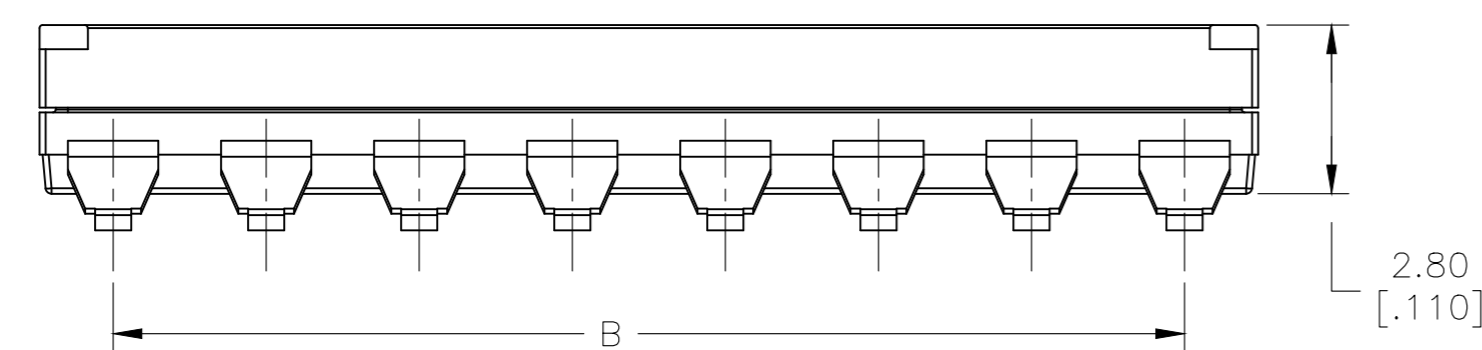
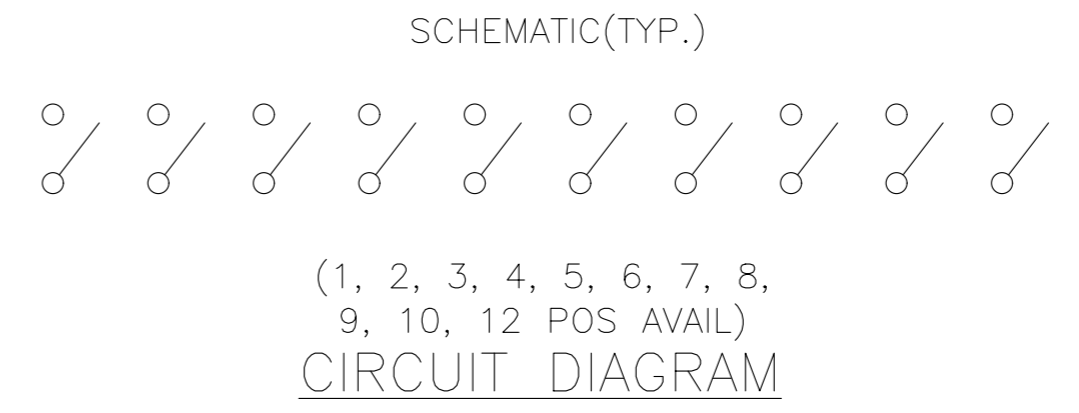
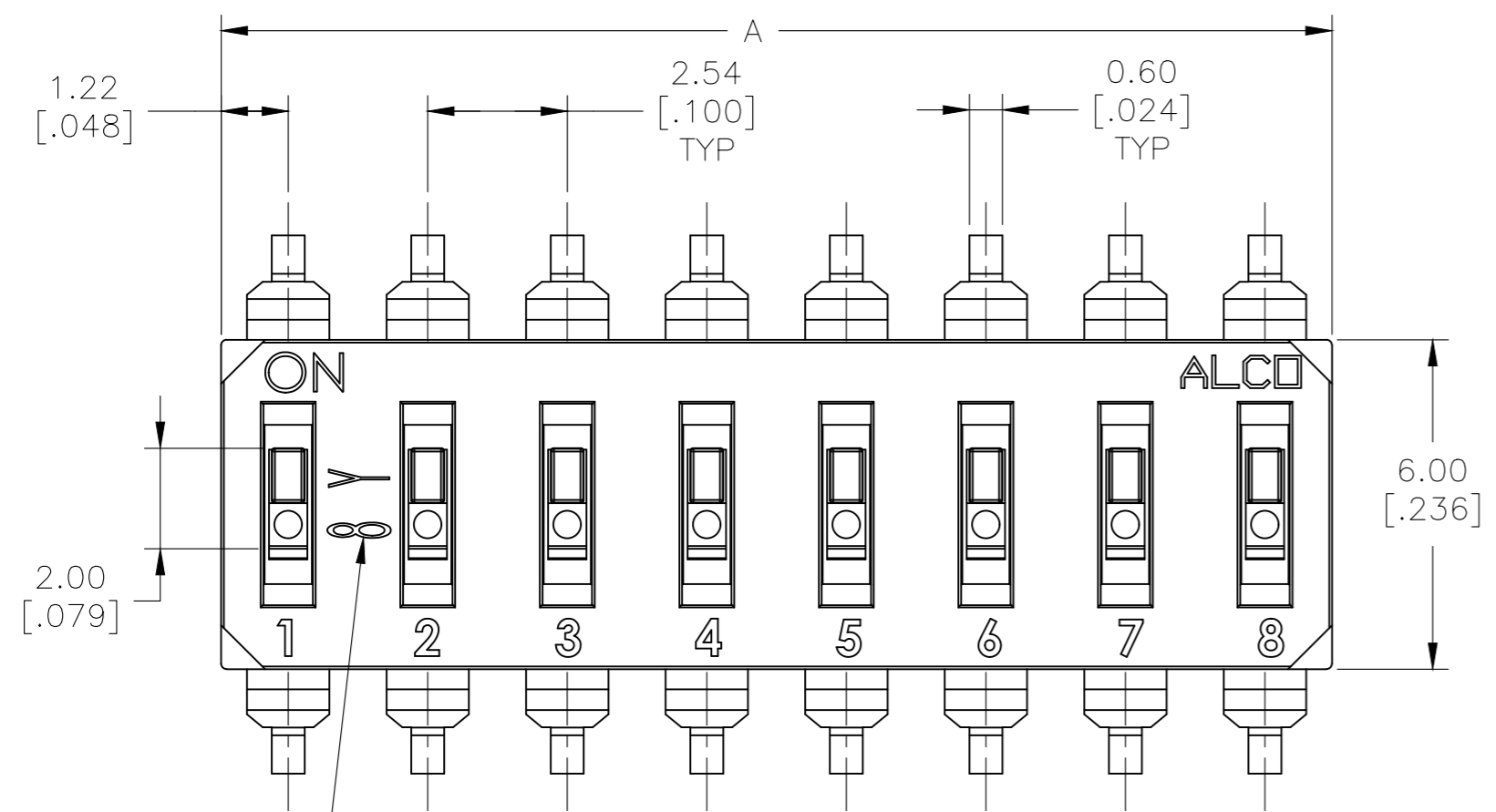


THIS DRAWING IS UNPUBLISHED. RELEASED FOR PUBLICATION
 © COPYRIGHT - TE Connectivity ALL RIGHTS RESERVED.

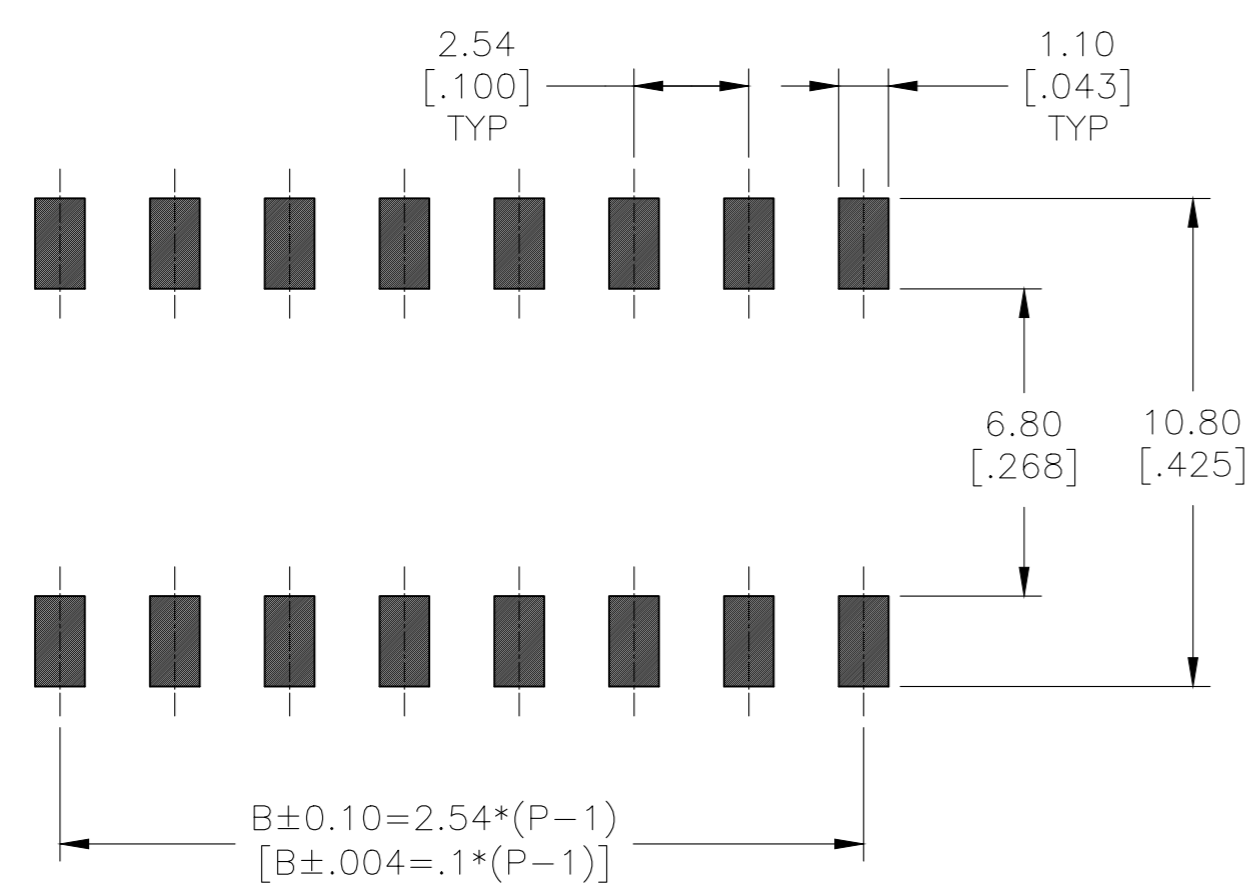
MR SERIES RECESSED ACTUATORS

REVISIONS				
P	LTR	DESCRIPTION	DATE	APVD
A		INITIAL RELEASE	29MAY2017	SK AS
A1		REVISED PER ECO-17-015842	27OCT2017	RK AS



TWO POSITIONS AND LARGER

ONE POSITION



$B \pm 0.10 = 2.54 * (P - 1)$
 $[B \pm .004 = .1 * (P - 1)]$

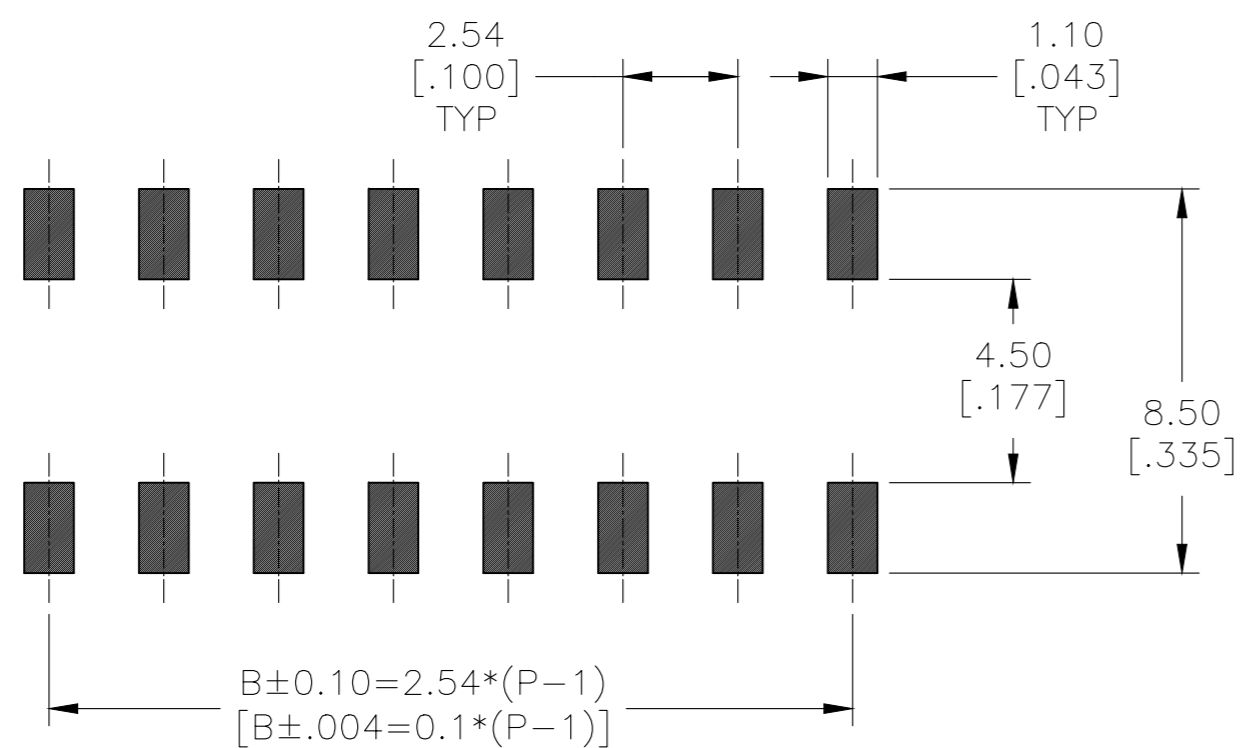
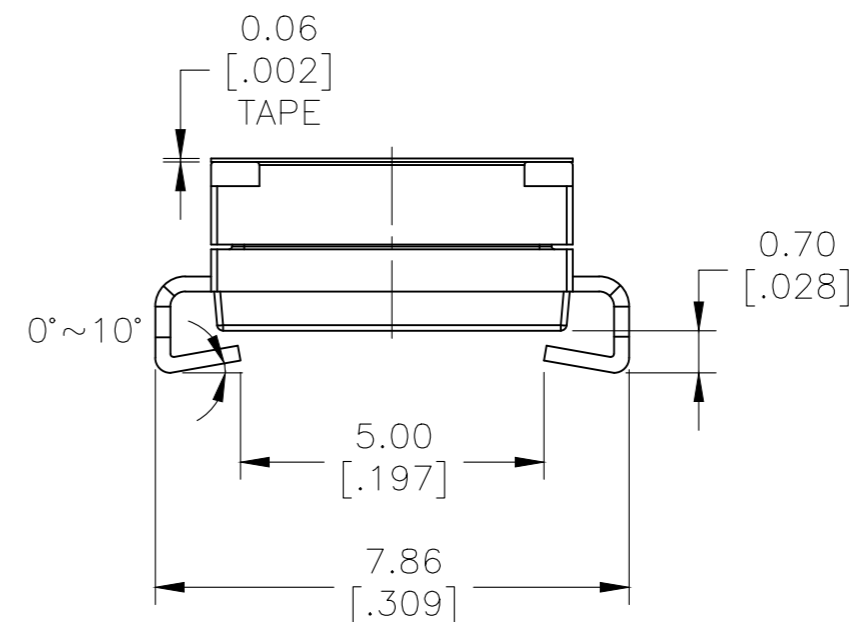
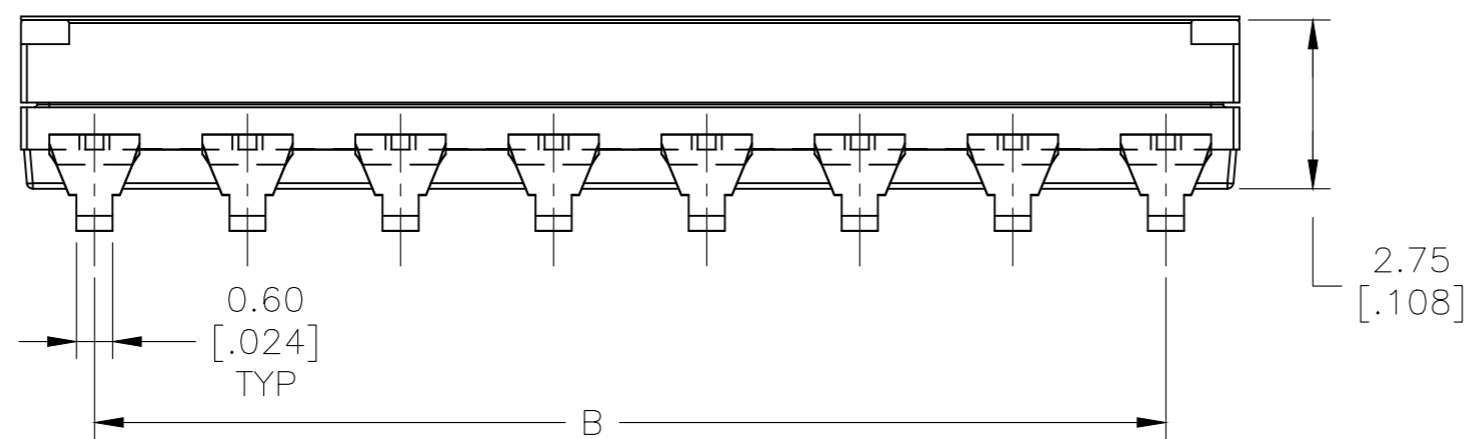
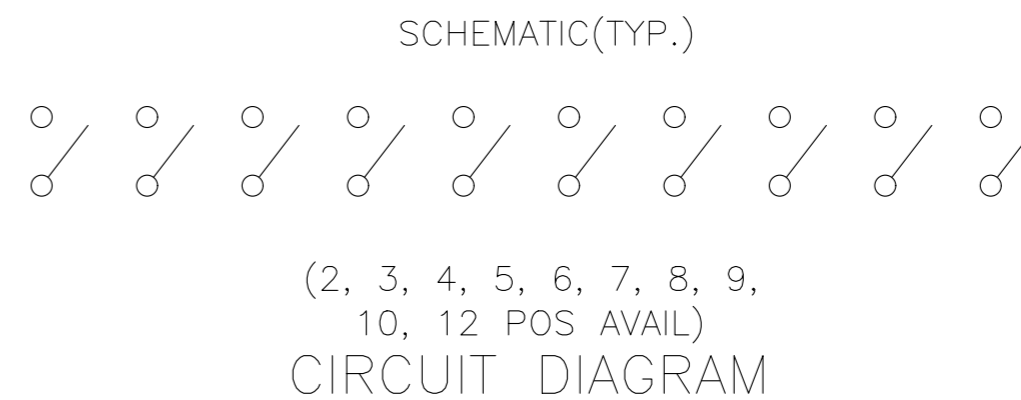
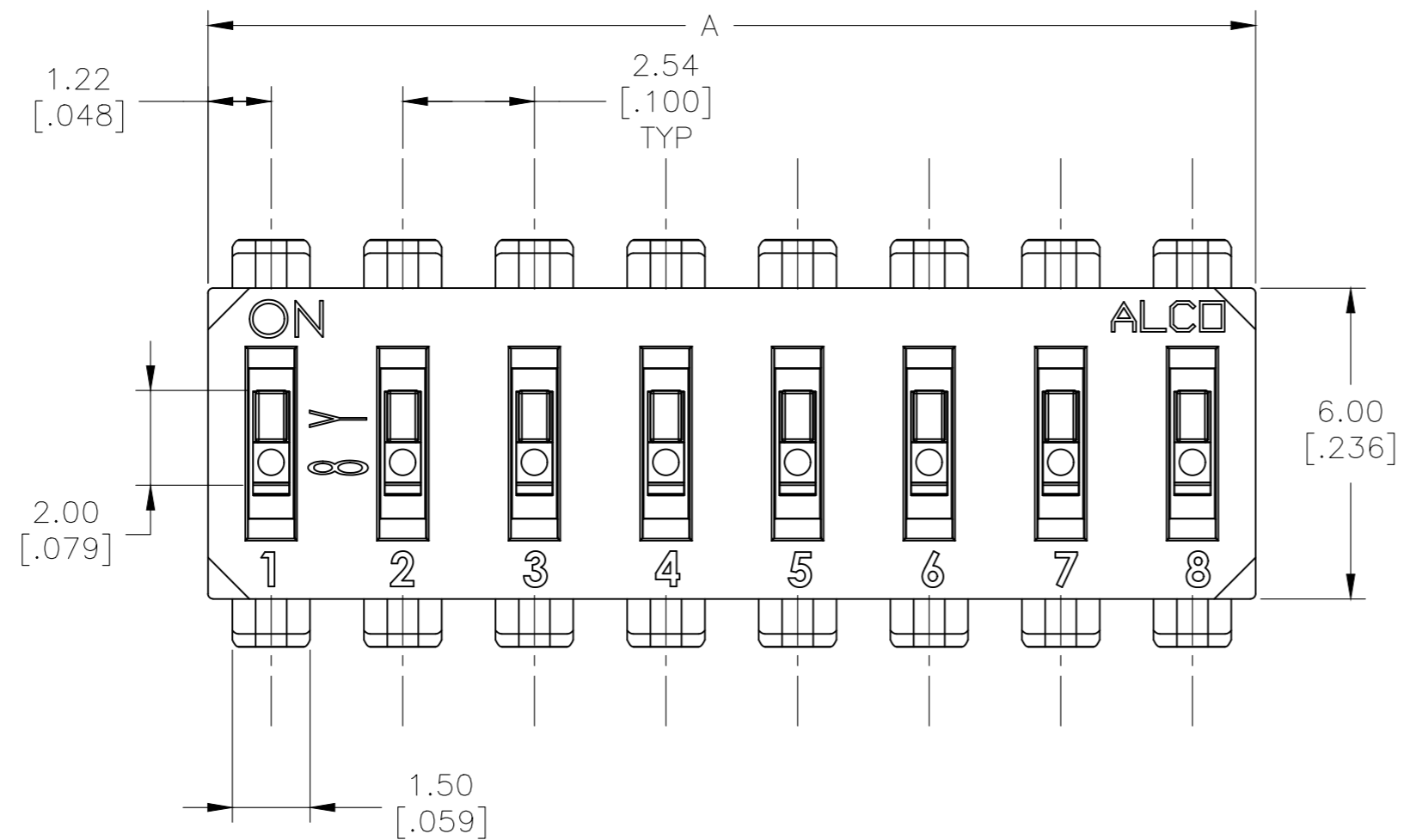
P.C.B. LAYOUT

- EDS
- 04Q
- POSITIONS: 01,02,03,04,05,06, 07,08,09,10,12
- HALOGEN FREE
- ROHS COMPLIANT
- SMT: SG=GULL WING, SN=J STYLE
- PACKAGING: TU=TUBE, TR=TAPE AND REEL
- ACTUATOR: N=RAISED, R=RECESSED
- SEAL: N=NONE, S=TOP SEAL

THIS DRAWING IS A CONTROLLED DOCUMENT.		DWN 29MAY2017 SHIVAKUMAR S S		
DIMENSIONS: mm[INCHES]		CHK 29MAY2017 ALEXANDER SHARPE		
TOLERANCES UNLESS OTHERWISE SPECIFIED:		APVD 29MAY2017 ALEXANDER SHARPE	NAME	
0 PLC ± -		PRODUCT SPEC		END STACKABLE DIP SWITCHES RECESSED ACTUATOR
1 PLC ± -		APPLICATION SPEC		
2 PLC ± 0.20[.008]		SIZE		RESTRICTED TO
3 PLC ± -		CAGE CODE		
4 PLC ± -		DRAWING NO		
ANGLES ± -		A2 00779 C-2319848		
MATERIAL		WEIGHT		SCALE 1:1
FINISH		CUSTOMER DRAWING		SHEET 1 of 5
		REV A1		

JR SERIES RECESSED ACTUATORS

REVISIONS				
P	LTR	DESCRIPTION	DATE	APVD
-	-	SEE SHEET 1	-	-



P.C.B. LAYOUT

THIS DRAWING IS A CONTROLLED DOCUMENT.		DWN 29MAY2017 SHIVAKUMAR S S	TE Connectivity	
DIMENSIONS: mm[INCHES]		CHK 29MAY2017 ALEXANDER SHARPE		
TOLERANCES UNLESS OTHERWISE SPECIFIED:		APVD 29MAY2017 ALEXANDER SHARPE	PRODUCT SPEC	END STACKABLE DIP SWITCHES RECESSED ACTUATOR
0 PLC ± - 1 PLC ± - 2 PLC ± 0.20[.008] 3 PLC ± - 4 PLC ± - ANGLES ± -		APPLICATION SPEC	SIZE	RESTRICTED TO
MATERIAL		WEIGHT	CAGE CODE	DRAWING NO
FINISH		CUSTOMER DRAWING	A2 00779	C=2319848
		SCALE	SHEET	REV
		1:1	2 of 5	A1

THIS DRAWING IS UNPUBLISHED. RELEASED FOR PUBLICATION
 © COPYRIGHT - TE Connectivity ALL RIGHTS RESERVED.

REVISIONS					
P	LTR	DESCRIPTION	DATE	DWN	APVD
-	-	SEE SHEET 1	-	-	-

NOTES	SEAL	SERIES	B	A	No OF POSITION	TE DESCRIPTIVE PART NUMBER	TE PART NUMBER
			DIM				
3	NO	MR	22.86 [.900]	25.3 [.996]	10	EDS10SGRNTR04Q	5-2319848-2
			20.32 [.800]	22.76 [.896]	09	EDS09SGRNTR04Q	5-2319848-1
			17.78 [.700]	20.22 [.796]	08	EDS08SGRNTR04Q	5-2319848-0
			15.24 [.600]	17.68 [.696]	07	EDS07SGRNTR04Q	4-2319848-9
			12.70 [.500]	15.14 [.596]	06	EDS06SGRNTR04Q	4-2319848-8
			10.16 [.400]	12.60 [.496]	05	EDS05SGRNTR04Q	4-2319848-7
			7.62 [.300]	10.06 [.396]	04	EDS04SGRNTR04Q	4-2319848-6
			5.08 [.200]	7.52 [.296]	03	EDS03SGRNTR04Q	4-2319848-5
			2.54 [.100]	4.98 [.196]	02	EDS02SGRNTR04Q	4-2319848-4
			-	2.44 [.096]	01	EDS01SGRNTR04Q	4-2319848-3
2	YES	JR	27.94 [1.100]	30.38 [1.196]	12	EDS12SNRSTU04Q	4-2319848-2
			22.86 [.900]	25.3 [.996]	10	EDS10SNRSTU04Q	4-2319848-1
			20.32 [.800]	22.76 [.896]	09	EDS09SNRSTU04Q	4-2319848-0
			17.78 [.700]	20.22 [.796]	08	EDS08SNRSTU04Q	3-2319848-9
			15.24 [.600]	17.68 [.696]	07	EDS07SNRSTU04Q	3-2319848-8
			12.70 [.500]	15.14 [.596]	06	EDS06SNRSTU04Q	3-2319848-7
			10.16 [.400]	12.60 [.496]	05	EDS05SNRSTU04Q	3-2319848-6
			7.62 [.300]	10.06 [.396]	04	EDS04SNRSTU04Q	3-2319848-5
			5.08 [.200]	7.52 [.296]	03	EDS03SNRSTU04Q	3-2319848-4
		2.54 [.100]	4.98 [.196]	02	EDS02SNRSTU04Q	3-2319848-3	
		MR	27.94 [1.100]	30.38 [1.196]	12	EDS12SGRSTU04Q	3-2319848-2
			22.86 [.900]	25.3 [.996]	10	EDS10SGRSTU04Q	3-2319848-1
			20.32 [.800]	22.76 [.896]	09	EDS09SGRSTU04Q	3-2319848-0
			17.78 [.700]	20.22 [.796]	08	EDS08SGRSTU04Q	2-2319848-9
			15.24 [.600]	17.68 [.696]	07	EDS07SGRSTU04Q	2-2319848-8
			12.70 [.500]	15.14 [.596]	06	EDS06SGRSTU04Q	2-2319848-7
			10.16 [.400]	12.60 [.496]	05	EDS05SGRSTU04Q	2-2319848-6
			7.62 [.300]	10.06 [.396]	04	EDS04SGRSTU04Q	2-2319848-5
5.08 [.200]	7.52 [.296]		03	EDS03SGRSTU04Q	2-2319848-4		

NOTES	SEAL	SERIES	B	A	No OF POSITION	TE DESCRIPTIVE PART NUMBER	TE PART NUMBER
			DIM				
2	NO	MR	10.16 [.400]	12.60 [.496]	05	EDS05SGRSTU04Q	2-2319848-6
			7.62 [.300]	10.06 [.396]	04	EDS04SGRSTU04Q	2-2319848-5
			5.08 [.200]	7.52 [.296]	03	EDS03SGRSTU04Q	2-2319848-4
			2.54 [.100]	4.98 [.196]	02	EDS02SGRSTU04Q	2-2319848-3
			-	2.44 [.096]	01	EDS01SGRSTU04Q	2-2319848-2
			27.94 [1.100]	30.38 [1.196]	12	EDS12SNRNTU04Q	2-2319848-1
			22.86 [.900]	25.3 [.996]	10	EDS10SNRNTU04Q	2-2319848-0
			20.32 [.800]	22.76 [.896]	09	EDS09SNRNTU04Q	1-2319848-9
			17.78 [.700]	20.22 [.796]	08	EDS08SNRNTU04Q	1-2319848-8
		JR	15.24 [.600]	17.68 [.696]	07	EDS07SNRNTU04Q	1-2319848-7
			12.70 [.500]	15.14 [.596]	06	EDS06SNRNTU04Q	1-2319848-6
			10.16 [.400]	12.60 [.496]	05	EDS05SNRNTU04Q	1-2319848-5
			7.62 [.300]	10.06 [.396]	04	EDS04SNRNTU04Q	1-2319848-4
			5.08 [.200]	7.52 [.296]	03	EDS03SNRNTU04Q	1-2319848-3
			2.54 [.100]	4.98 [.196]	02	EDS02SNRNTU04Q	1-2319848-2
			27.94 [1.100]	30.38 [1.196]	12	EDS12SGRNTU04Q	1-2319848-1
			22.86 [.900]	25.3 [.996]	10	EDS10SGRNTU04Q	1-2319848-0
			20.32 [.800]	22.76 [.896]	09	EDS09SGRNTU04Q	2319848-9
MR	17.78 [.700]	20.22 [.796]	08	EDS08SGRNTU04Q	2319848-8		
	15.24 [.600]	17.68 [.696]	07	EDS07SGRNTU04Q	2319848-7		
	12.70 [.500]	15.14 [.596]	06	EDS06SGRNTU04Q	2319848-6		
	10.16 [.400]	12.60 [.496]	05	EDS05SGRNTU04Q	2319848-5		
	7.62 [.300]	10.06 [.396]	04	EDS04SGRNTU04Q	2319848-4		
	5.08 [.200]	7.52 [.296]	03	EDS03SGRNTU04Q	2319848-3		
	2.54 [.100]	4.98 [.196]	02	EDS02SGRNTU04Q	2319848-2		
	-	2.44 [.096]	01	EDS01SGRNTU04Q	2319848-1		

THIS DRAWING IS A CONTROLLED DOCUMENT. DWN 29MAY2017 SHIVAKUMAR S S
 CHK 29MAY2017 ALEXANDER SHARPE
 APVD 29MAY2017 ALEXANDER SHARPE

STE TE Connectivity

END STACKABLE DIP SWITCHES RECESSED ACTUATOR

SIZE A2 CAGE CODE 00779 DRAWING NO. 2319848 RESTRICTED TO -


CUSTOMER DRAWING SCALE 1:1 SHEET 3 OF 5 REV A1

THIS DRAWING IS UNPUBLISHED. RELEASED FOR PUBLICATION
 © COPYRIGHT - TE Connectivity ALL RIGHTS RESERVED.

REVISIONS					
P	LTR	DESCRIPTION	DATE	DWN	APVD
-	-	SEE SHEET 1	-	-	-

SEAL	SERIES	B	A	No OF POSITION	TE DESCRIPTIVE PART NUMBER	TE PART NUMBER	
YES	JR	10.16 [.400]	12.60 [.496]	05	EDS05SNRSTR04Q	7-2319848-8	
		7.62 [.300]	10.06 [.396]	04	EDS04SNRSTR04Q	7-2319848-7	
		5.08 [.200]	7.52 [.296]	03	EDS03SNRSTR04Q	7-2319848-6	
		2.54 [.100]	4.98 [.196]	02	EDS02SNRSTR04Q	7-2319848-5	
	NO	MR	27.94 [1.100]	30.38 [1.196]	12	EDS12SGRSTR04Q	7-2319848-4
			22.86 [.900]	25.3 [.996]	10	EDS10SGRSTR04Q	7-2319848-3
			20.32 [.800]	22.76 [.896]	09	EDS09SGRSTR04Q	7-2319848-2
			17.78 [.700]	20.22 [.796]	08	EDS08SGRSTR04Q	7-2319848-1
			15.24 [.600]	17.68 [.696]	07	EDS07SGRSTR04Q	7-2319848-0
			12.70 [.500]	15.14 [.596]	06	EDS06SGRSTR04Q	6-2319848-9
		JR	10.16 [.400]	12.60 [.496]	05	EDS05SGRSTR04Q	6-2319848-8
			7.62 [.300]	10.06 [.396]	04	EDS04SGRSTR04Q	6-2319848-7
5.08 [.200]			7.52 [.296]	03	EDS03SGRSTR04Q	6-2319848-6	
2.54 [.100]			4.98 [.196]	02	EDS02SGRSTR04Q	6-2319848-5	
-			2.44 [.096]	01	EDS01SGRSTR04Q	6-2319848-4	
27.94 [1.100]			30.38 [1.196]	12	EDS12SNRNTRO4Q	6-2319848-3	
JR	22.86 [.900]	25.3 [.996]	10	EDS10SNRNTRO4Q	6-2319848-2		
	20.32 [.800]	22.76 [.896]	09	EDS09SNRNTRO4Q	6-2319848-1		
	17.78 [.700]	20.22 [.796]	08	EDS08SNRNTRO4Q	6-2319848-0		
	15.24 [.600]	17.68 [.696]	07	EDS07SNRNTRO4Q	5-2319848-9		
	12.70 [.500]	15.14 [.596]	06	EDS06SNRNTRO4Q	5-2319848-8		
	10.16 [.400]	12.60 [.496]	05	EDS05SNRNTRO4Q	5-2319848-7		
MR	7.62 [.300]	10.06 [.396]	04	EDS04SNRNTRO4Q	5-2319848-6		
	5.08 [.200]	7.52 [.296]	03	EDS03SNRNTRO4Q	5-2319848-5		
	2.54 [.100]	4.98 [.196]	02	EDS02SNRNTRO4Q	5-2319848-4		
	27.94 [1.100]	30.38 [1.196]	12	EDS12SGRNTRO4Q	5-2319848-3		

NOTES	SEAL	SERIES	B	A	No OF POSITION	TE DESCRIPTIVE PART NUMBER	TE PART NUMBER
3	YES	JR	27.94 [1.100]	30.38 [1.196]	12	EDS12SNRSTR04Q	8-2319848-4
			22.86 [.900]	25.3 [.996]	10	EDS10SNRSTR04Q	8-2319848-3
			20.32 [.800]	22.76 [.896]	09	EDS09SNRSTR04Q	8-2319848-2
			17.78 [.700]	20.22 [.796]	08	EDS08SNRSTR04Q	8-2319848-1
			15.24 [.600]	17.68 [.696]	07	EDS07SNRSTR04Q	8-2319848-0
			12.70 [.500]	15.14 [.596]	06	EDS06SNRSTR04Q	7-2319848-9
NOTES	SEAL	SERIES	DIM		No OF POSITION	TE DESCRIPTIVE PART NUMBER	TE PART NUMBER

THIS DRAWING IS A CONTROLLED DOCUMENT.		DWN SHIVAKUMAR S S 29MAY2017	 TE Connectivity	
DIMENSIONS: mm[INCHES]		CHK ALEXANDER SHARPE 29MAY2017		
TOLERANCES UNLESS OTHERWISE SPECIFIED:		APVD ALEXANDER SHARPE 29MAY2017	NAME	
0 PLC ± - 1 PLC ± - 2 PLC ± 0.20[.008] 3 PLC ± - 4 PLC ± - ANGLES ± -		PRODUCT SPEC	END STACKABLE DIP SWITCHES RECESSED ACTUATOR	
MATERIAL		APPLICATION SPEC	SIZE	RESTRICTED TO
FINISH		WEIGHT	CAGE CODE	DRAWING NO
		CUSTOMER DRAWING	A2 00779	2319848
		SCALE	SHEET	REV
		1:1	4 of 5	A1

REVISIONS				
P	LTR	DESCRIPTION	DATE	APVD
-	-	SEE SHEET 1	-	-

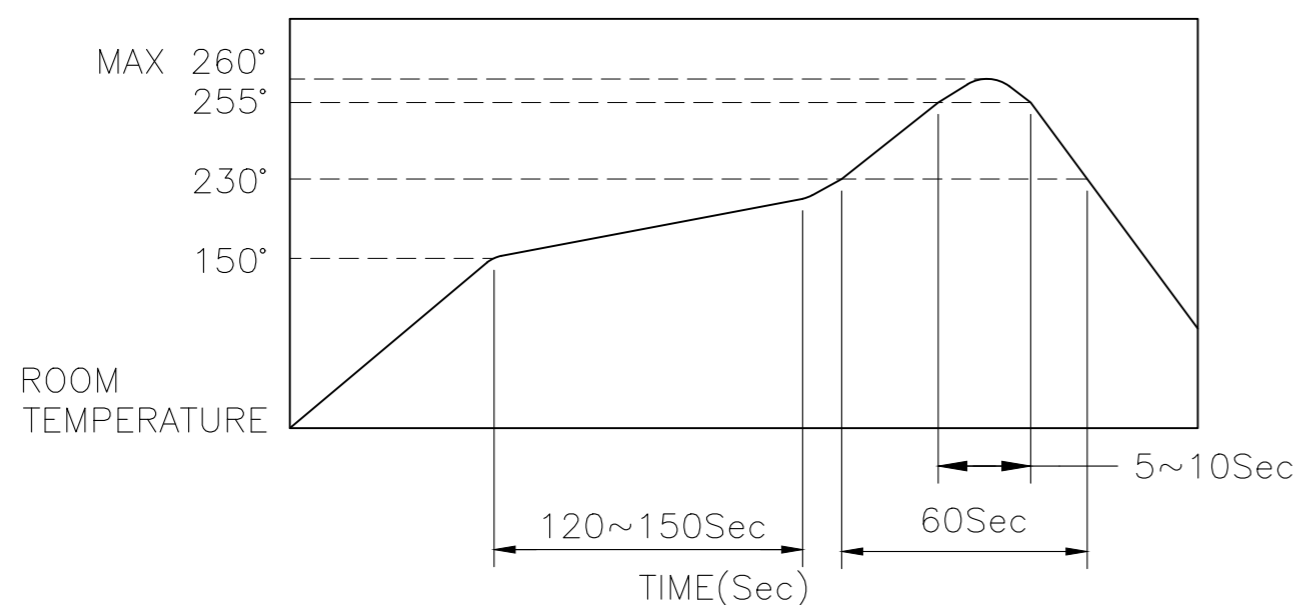
SOLDERING CONDITIONS:

THE CONDITIONS MENTIONED BELOW IS THE TEMPERATURE ON THE CU FOIL OF THE P.C.B SURFACE. DO NOT ALLOW THE SWITCH'S SURFACE TEMPERATURE TO EXCEED 260°C.

MANUAL SOLDERING

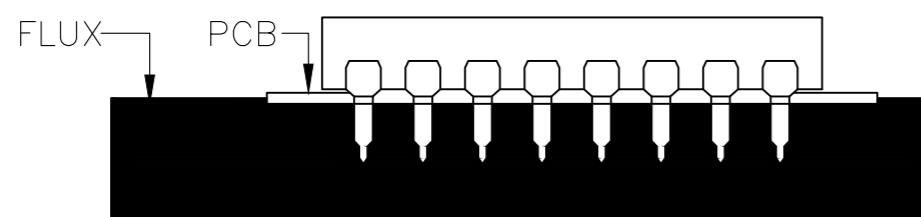
SOLDERING TEMPERATURE	MAX. 350°C.
CONTINUOUS SOLDERING TIME	MAX. 5 SECONDS.

REFLOW SOLDERING



HANDLING PRECAUTIONS

- CARE SHOULD BE EXERCISED SO THAT FLUX FROM THE UPPER PART OF THE PRINTED CIRCUIT BOARD DOES NOT ADHERE TO THE SWITCH.
- DON'T CLEAN THE SWITCH BODY EXCEPT WITH TOP TAPE SEALED TYPE, WHICH CAN ONLY SPRAY OF CLEANING METHOD FROM TOP OF S/W.
- ENSURE FLUX DOES NOT RISE ABOVE THE TOP SURFACE OF THE PCB.



SPECIFICATIONS:

MATERIALS:

BASE: PA (HIGH-TEMP. NYLON) UL94V-0
 COVER: PA (HIGH-TEMP. NYLON) UL94V-0
 ACTUATOR: LCP UL94V-0
 CONTACT: COPPER ALLOY, GOLD (in contact area)
 OVER NICKEL PLATE
 TERMINAL: BRASS ALLOY, GOLD PLATE
 TAPE: POLYAMIDE.

ELECTRICAL:

CONTACT RATING: NON-SWITCHING 100mA @ 50 VDC.
 SWITCHING: 25mA @ 24 VDC.
 INITIAL CONTACT RESISTANCE: 100mΩ MAX. @ 2 VDC. 10mA.
 INSULATION RESISTANCE: 100 MEGOHMS MIN. @ 500 VDC,
 1 MINUTE +/- 5 SECONDS.
 DIELECTRIC STRENGTH: 500 VAC (50 OR 60 HZ), 1 MINUTE.
 DURABILITY: 2,000 CYCLES.
 CAPACITANCE: 5 pF MAX @ 1 MHz +/- 10 KHz.

MECHANICAL:

OPERATING FORCE: 1000gf MAX.

ENVIRONMENTAL:

OPERATING TEMPERATURE: -20°C TO +85°C.
 STORAGE TEMPERATURE: -40°C TO +85°C.
 SOLDER HEAT RESISTANCE PER 109-201, CONDITION B.
 SOLDERABILITY PER JIS C 0050 & JIS C 0053.

NOTES:

- ALL MATERIALS AND FINISHES SHALL COMPLY WITH EU DIRECTIVE 2002/95/EC OF 27 JAN 2003 (ROHS).



TUBE PACKAGING.



TAPE AND REEL PACKAGING.

THIS DRAWING IS A CONTROLLED DOCUMENT.		DWN 29MAY2017 SHIVAKUMAR S S	TE Connectivity	
DIMENSIONS: mm[INCHES]		CHK 29MAY2017 ALEXANDER SHARPE		
TOLERANCES UNLESS OTHERWISE SPECIFIED:		APVD 29MAY2017 ALEXANDER SHARPE	NAME END STACKABLE DIP SWITCHES RECESSED ACTUATOR	
0 PLC ± -		PRODUCT SPEC	SIZE	CAGE CODE
1 PLC ± -		APPLICATION SPEC	A2	00779
2 PLC ± 0.20[.008]		WEIGHT	DRAWING NO C=2319848	
3 PLC ± -		MATERIAL	RESTRICTED TO	
4 PLC ± -		FINISH	SCALE 1:1 SHEET 5 OF 5 REV A1	
ANGLES ± -		CUSTOMER DRAWING		