

THIS DRAWING IS UNPUBLISHED.

RELEASED FOR PUBLICATION

ALL RIGHTS RESERVED.

© COPYRIGHT - TE Connectivity Ltd.

REVISIONS

P	LTR	DESCRIPTION	DATE	DWN	APVD
	A1	LC20-0109-19 / ECO-19-015492	23SEP2019	JG	BJ

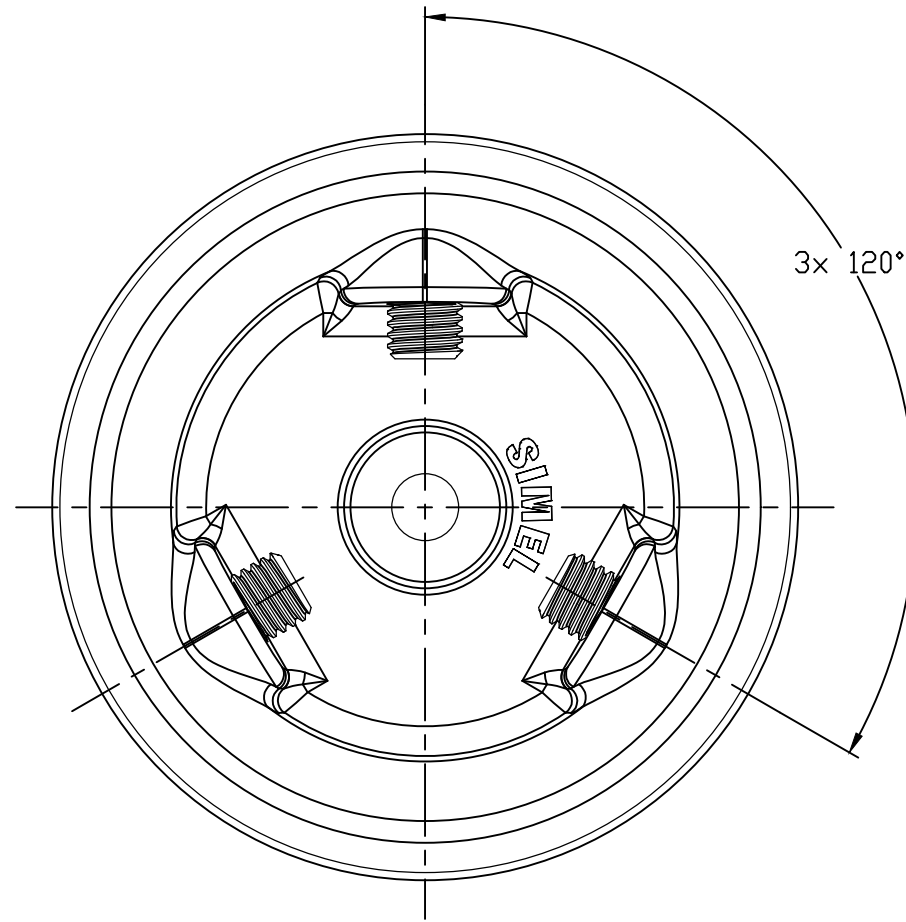
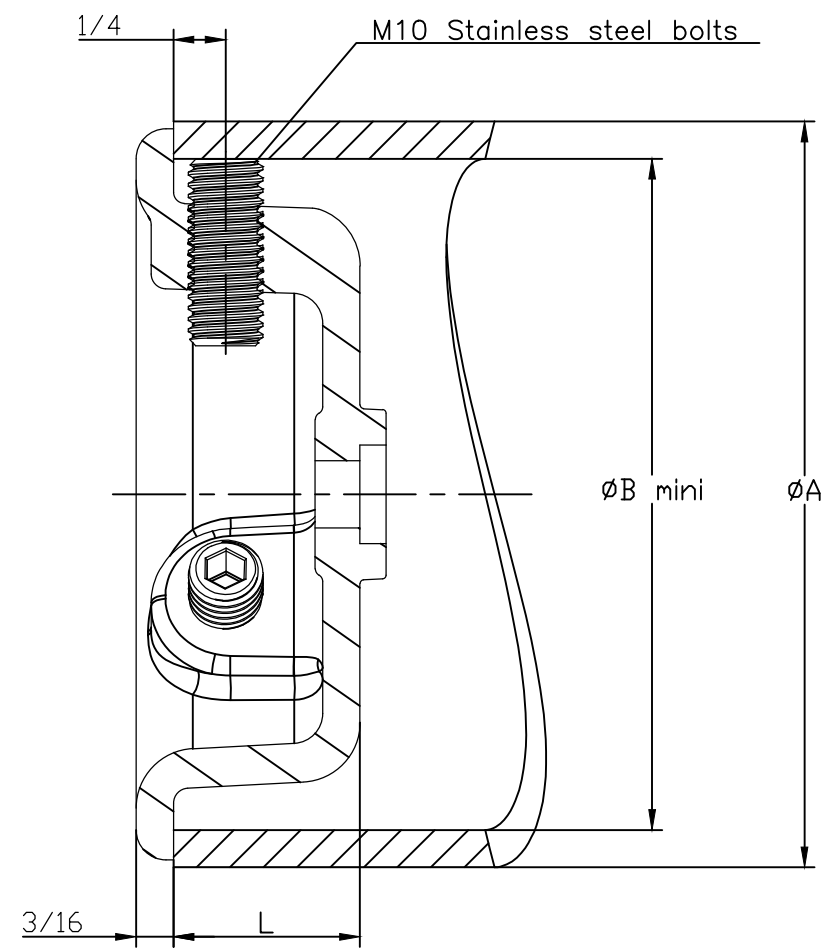
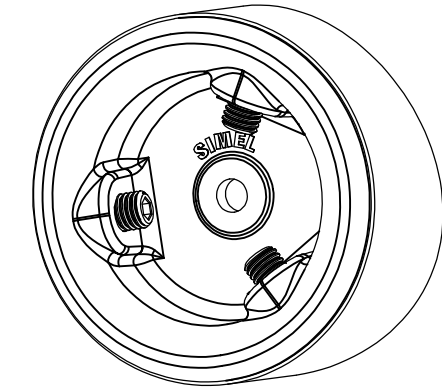
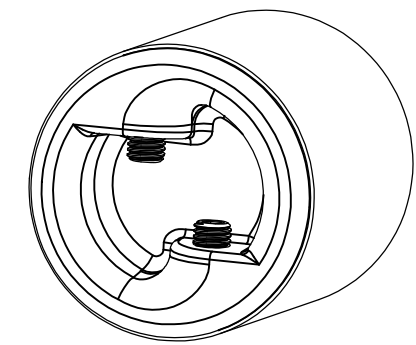


FIG. 1



No scale
Sans échelle

FIG. 2



No scale
Sans échelle

IPS	øA	øB	L	FIG.	DESCRIPTION	PART NUMBER	WEIGHT (Lbs)
2-1/2	2-7/8	2-1/4	13/16	2	5 TABP 82 T2*1/2IPS	2315946-2	0.53
3	3-1/2	2-3/4	1-3/8	2	5 TABP 82 T3*IPS	2315946-3	0.55
3-1/2	4	3-1/8	1	1	5 TABP 82 T3*1/2IPS	2315946-4	0.48
4	4-1/2	3-9/16	13/16	1	5 TABP 82 T4*IPS	2315946-5	0.59
5	5-9/16	4-13/16	13/16	1	5 TABP 82 T5*IPS	2315946-6	0.75
6	6-5/8	5-9/16	13/16	1	5 TABP 82 T6*IPS	2315946-7	0.92

THIS DRAWING IS A CONTROLLED DOCUMENT.

DWN GARNIER P 24JAN2017

CHK G. LAFORGE

APVD -

PRODUCT SPEC

APPLICATION SPEC

WEIGHT SEE TABLE

CUSTOMER DRAWING



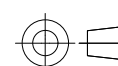
TE Connectivity Ltd.

END CAP
2 1/2 TO 6 INCH IPS
SIMABUS

SIZE A3 CAGE CODE 00779 DRAWING NO C-2315946 RESTRICTED TO -

SCALE NTS SHEET 1 OF 2 REV A1

DIMENSIONS:
INCHES



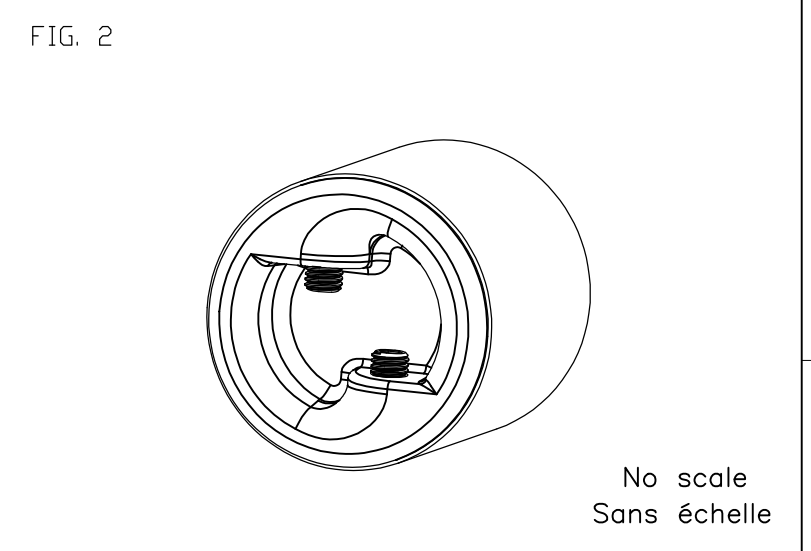
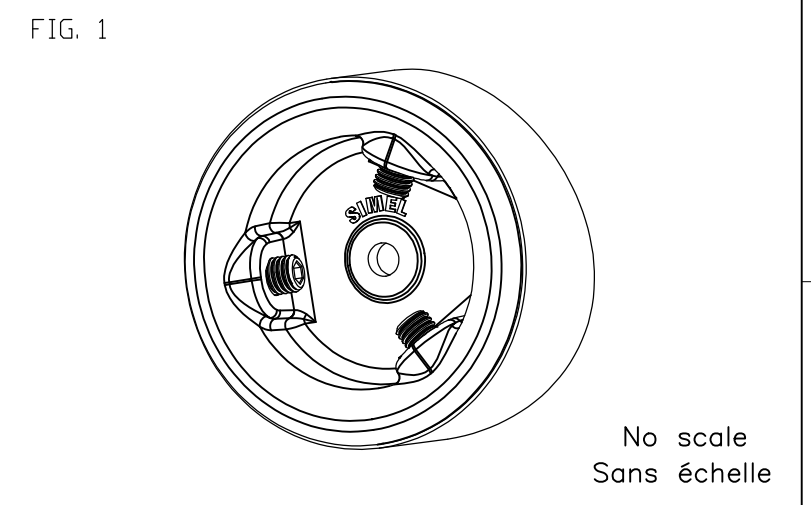
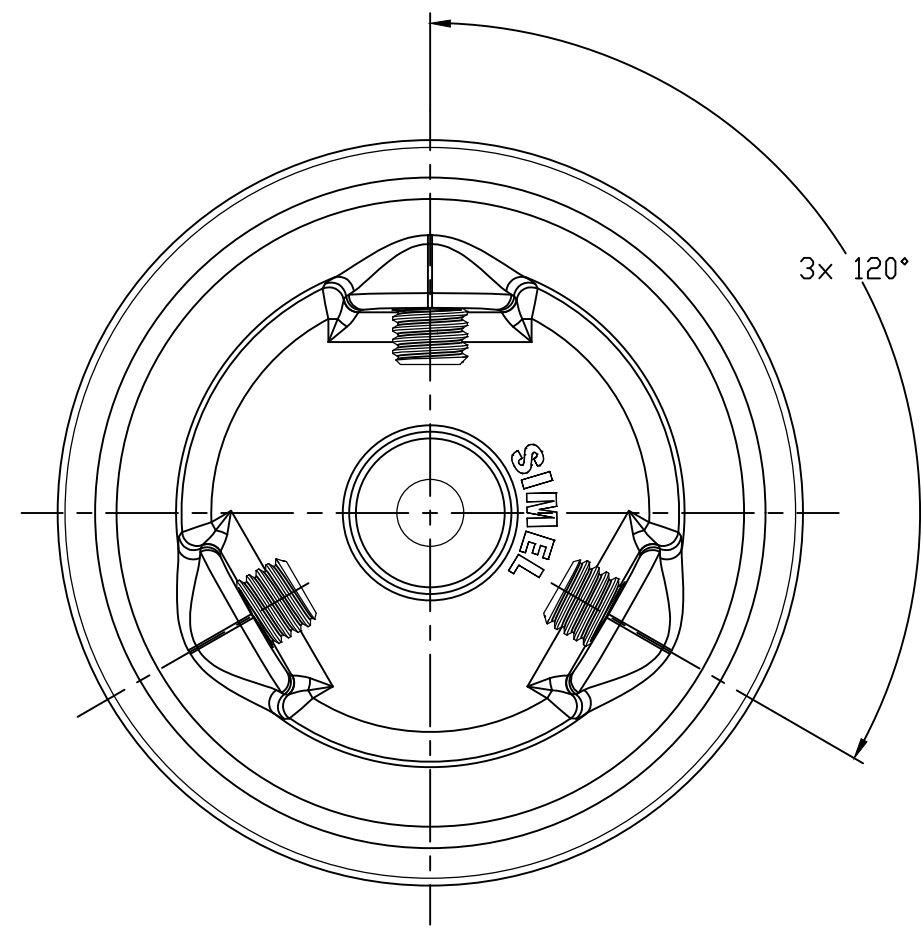
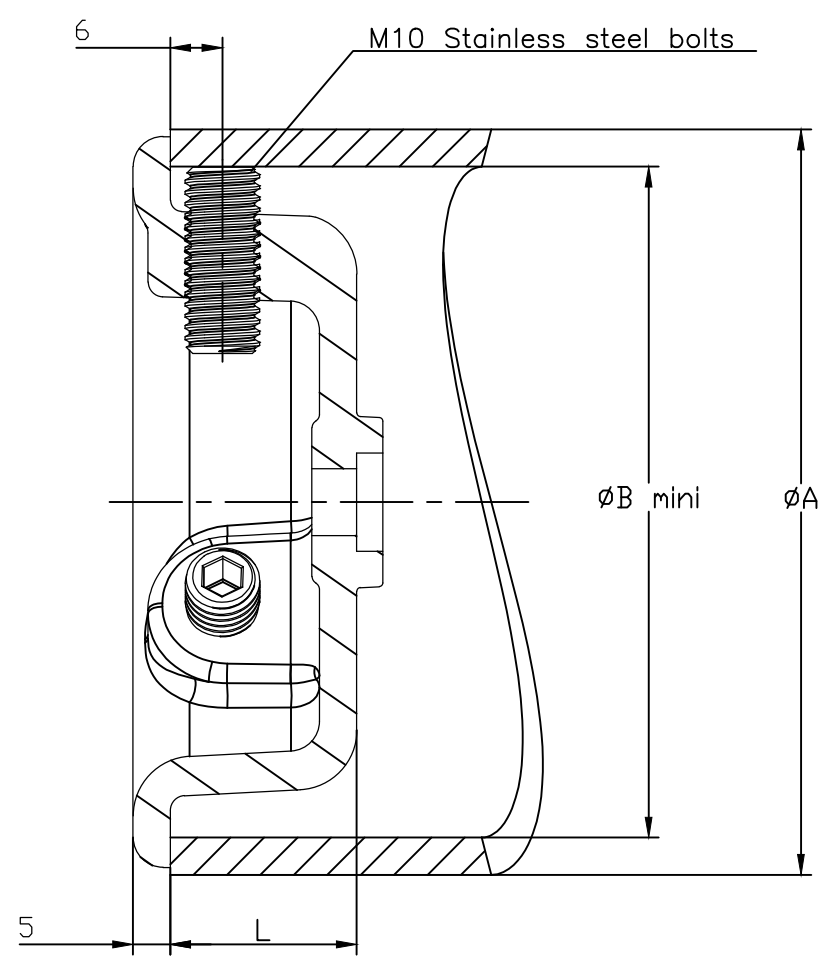
TOLERANCES UNLESS OTHERWISE SPECIFIED:

0 PLC	±
1 PLC	±
2 PLC	±
3 PLC	±
4 PLC	±
ANGLES	±
FINISH	-

MATERIAL ALUM. ALLOY

THIS DRAWING IS UNPUBLISHED. RELEASED FOR PUBLICATION
 © COPYRIGHT - TE Connectivity Ltd. ALL RIGHTS RESERVED.

P	LTR	DESCRIPTION	DATE	DWN	APVD
-	-	SEE SHEET 1	-	-	-



IPS	øA	øB	L	FIG.	DESCRIPTION	PART NUMBER	WEIGHT (Lbs)
2-1/2	73.0	57	21	2	5 TABP 82 T2*1/2IPS	2315946-2	0.53
3	88.9	70	35	2	5 TABP 82 T3*IPS	2315946-3	0.55
3-1/2	101.6	80	25	1	5 TABP 82 T3*1/2IPS	2315946-4	0.48
4	114.3	90	21	1	5 TABP 82 T4*IPS	2315946-5	0.59
5	141.3	122	21	1	5 TABP 82 T5*IPS	2315946-6	0.75
6	168.2	141	21	1	5 TABP 82 T6*IPS	2315946-7	0.92

THIS DRAWING IS A CONTROLLED DOCUMENT.		DWN GARNIER P 24JAN2017	TE Connectivity Ltd.	
DIMENSIONS: mm		CHK G. LAFORGE		
TOLERANCES UNLESS OTHERWISE SPECIFIED:		APVD -	NAME END CAP 2 1/2 TO 6 INCH IPS SIMABUS	
0 PLC ± 1 PLC ± 2 PLC ± 3 PLC ± 4 PLC ± ANGLES ±		PRODUCT SPEC	SIZE A3	
MATERIAL ALUM. ALLOY		FINISH -	APPLICATION SPEC	CAGE CODE 00779
		WEIGHT SEE TABLE	DRAWING NO C-2315946	RESTRICTED TO -
		CUSTOMER DRAWING	SCALE NTS	SHEET 2 OF 2
			REV A1	